

GENERAL INFORMATION

The present *spare parts* order exactly the right spare parts.

When ordering specify:

- 1) the part's code number followed by its description;
- 2) the motorcycle's serial number, stamped on the steering head.

Reference to right and left apply to the vehicle in terms of its direction of movement.

VALIDITY

- f.m.** Until V.I.N.
- d.m.** From V.I.N.
- f.m.m.** Up to engine number
- d.m.m.** From engine number

- RED motorcycle
- BLACK motorcycle
- ▲ YELLOW motorcycle
- ◆ GREY motorcycle
- ▼ BLEU motorcycle

All data are subject to modification without prior notice.

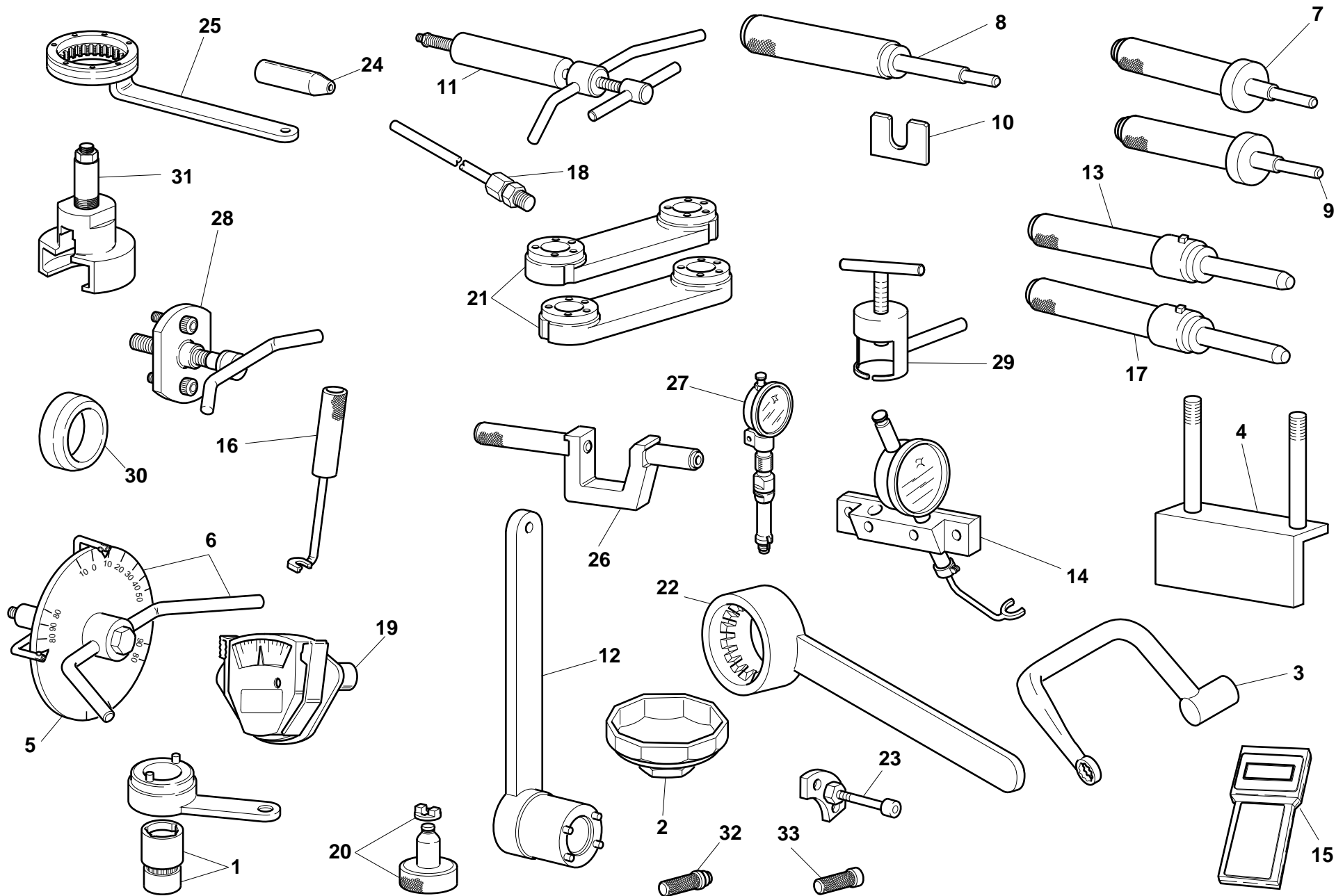
Ducati Motor S.p.A.
Uffici Commerciali Amministrativi:
Via A. Cavalieri Ducati n. 3
40132 Bologna, Italy
Telefono 051 641311
Fax 051 406580
Internet www.ducati.com

page

CONTENTS


4	001	WORKSHOP SPECIAL TOOLS
6	001.1	WORKSHOP SPECIAL TOOLS
8	001.2	DIAGNOSIS TESTER MATHESIS
10	002	GEARCHANGE
12	003	GEAR-BOX
14	004	CLUTCH
16	005	CLUTCH COVER
18	006	CRANKSHAFT
20	007	CYLINDERS - PISTONS
22	008	TIMING
24	009	FILTERS AND OIL PUMP
26	010	HALF CRANKCASES
28	011	WATER PUMP - ALTERNATOR COVER
30	012	ELECTRIC STARTER AND IGNITION
32	013	HEAD: TIMING
34	014	HEAD
36	015	COLLECTORS AND HEAD COVERS
38	016	THROTTLE BODY
40	017	EXHAUST SYSTEM
42	018	STANDS
44	019	FRAME
46	020	L.H. FOOT RESTS
48	021	R.H. FOOT RESTS
50	022	HEADLIGHT HOLDER
52	023	HEAD-LIGHT AND ELECTRIC WIRING
54	024	INSTRUMENT PANEL
56	025	HANDLEBAR AND CONTROLS
58	026	FRONT FORK
60	027	CLUTCH CONTROL
62	028	FRONT HYDRAULIC BRAKE
64	029	WATER RADIATOR ASSY
66	030	COOLING CIRCUIT
68	031	ELECTRIC SYSTEM
70	032	BATTERY BOX MOUNT
72	033	AIR INDUCTIO AND OIL VENT
74	034	SWINGARM AND CHAIN
76	035	REAR SUSPENSION
78	036	OIL COOLER
80	037	REAR HYDRAULIC BRAKE
82	038	WHEELS
84	039	NUMBER PLATE HOLDER
86	040	SEAT
88	041	FUEL TANK
90	042	FUEL SYSTEM
92	043	HEADLIGHT FAIRING
94	044	FAIRING
96	045	PANNIERS FASTENS
98	046	SIDE PANNIERS
100	047	FUEL INFEEED
102	048	MARKING PLATES

DRAWING 001 WORKSHOP SPECIAL TOOLS

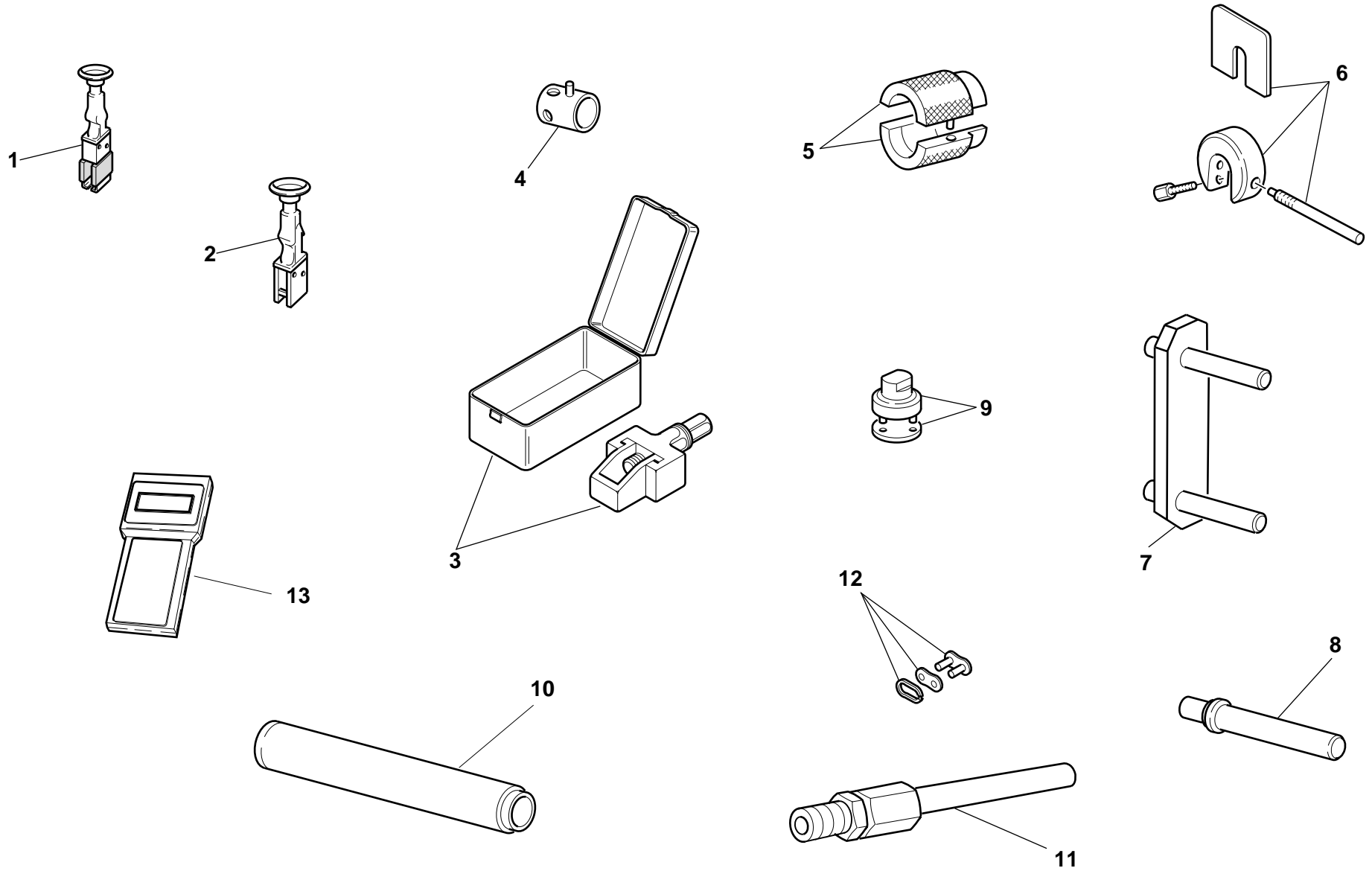


DRAWING **001****WORKSHOP SPECIAL TOOLS**


NOTES	NO.	CODE NO.	DESCRIPTION	VALIDITY	Q.TY	
	1	88700.5644	Timing belt rollers holder wrench		1	
	2	0675.03.210	Wrench for removing oil filter cartridge		1	
	3	88713.1139	Head nuts holder wrench		1	
	4	88713.0891	Head mounting base		1	
	5	98112.0002	Degree wheel		1	
	6	88713.0123	Degree wheel holder tool for ignition advance check		1	
	7	88713.0874	Exhaust valve guide punch tool		1	
	8	88713.0879	Punch tool to extract valve guide		1	
	9	88713.0875	Intake valve guide punch tool		1	
	10	88713.1309	Fork feeler gauge 2,35 mm		1	
	11	88713.0862	Rocker shaft extractor		1	
	12	88713.0137	Crankshaft gear holder wrench for tightening nut		1	
	13	88713.1078	Punch tool for driving exhaust valve seat		1	
	14	88765.1001	Valve lift gauge		1	
	15	88765.1068	Check instrument		1	
GB	15	88765.1069	Check instrument		1	
D	15	88765.1070	Check instrument		1	
F	15	88765.1071	Check instrument		1	
E	15	88765.1072	Check instrument		1	
	16	88713.0844	Half-rings mounting punch tool		1	
	17	88713.1079	Punch tool for driving intake valve seat		1	
	18	88713.1010	Union for exhaust gas suction		1	
	19	051.2.001.1A	Torque wrench for timing belt		1	
	20	88765.0978	Gauge for measuring half ring shims		1	
	21	88713.0847	Camshaft stroke checking tool		1	
	22	88713.1419	Alternator holder wrench for tightening nut		1	

NOTES	NO.	CODE NO.	DESCRIPTION	VALIDITY	Q.TY	
	23	88713.1091	Plate for positioning gear engagement fork		1	
	24	88700.5749	Crankcases assembling cap		1	
	25	88713.0146	Frame-engine grounding cable		1	
	26	88713.1093	Seal ring driving tool		1	
	27	88765.0968	T.D.C. control gauge		1	
	28	88713.0144	Extractor for removal of chain/generator cover		1	
	29	88713.1332	Extractor bushing bearing inner ring		1	
	30	88700.5665	Sleeve for installing clutch bell gear		1	
	31	88713.1502	Extractor for primary drive gear		1	
	32	88713.0869	Tool for assembling water pump front seal		1	
	33	88713.0870	Tool for assembling water pump front seal		1	

DRAWING 001.1 WORKSHOP SPECIAL TOOLS

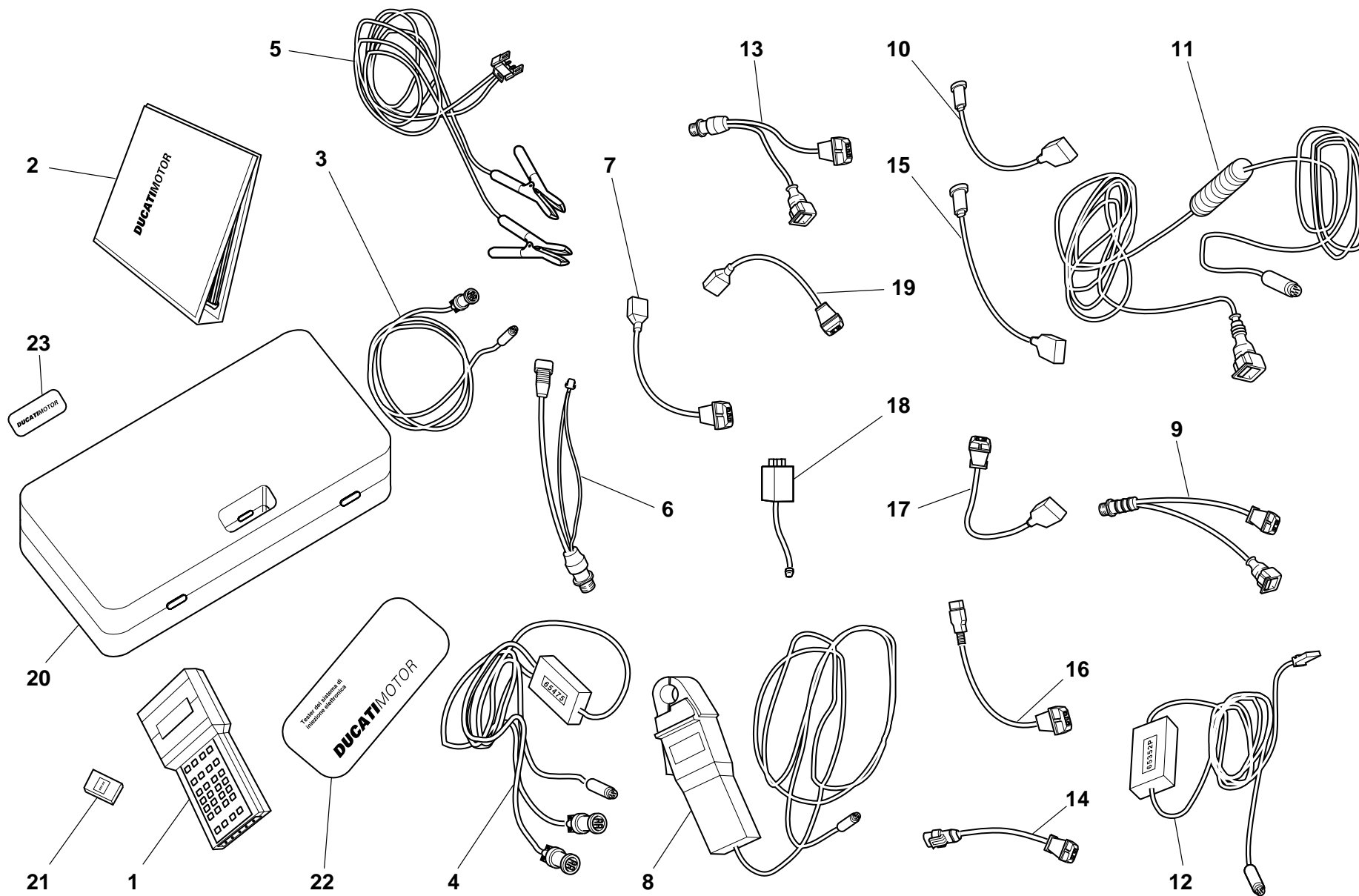


DRAWING **001.1** WORKSHOP SPECIAL TOOLS

NOTES	NO.	CODE NO.	DESCRIPTION	VALIDITY	Q.TY	
	1	88713.1097	EPROM extractor		1	
	2	88713.1140	EPROM chip introducing		1	
	3	88713.1344	Tool for assembling chain		1	
	4	0000.70139	Wrench for front wheel spindle		1	
	5	88713.0960	Tool for overhauling SHOWA forks - assembling seal ring		1	
	6	88713.0957	Tool for holding SHOWA fork spacer		1	
	7	88713.1515	Frame/engine mount		1	
	8	88713.1071	Stopper for assembling the rocker needle bearings		1	
	9	88713.1058	Wrench for assembling the steering head cap		1	
	10	88713.1072	Stopper for driving the half bearing of the steering head base		1	
	11	88713.1010	Union for exhaust gas suction		1	
	12	677.4.003.1A	Coupling		1	
	13	88765.1068	Check instrument		1	
GB	13	88765.1069	Check instrument		1	
D	13	88765.1070	Check instrument		1	
F	13	88765.1071	Check instrument		1	
E	13	88765.1072	Check instrument		1	


NOTES	NO.	CODE NO.	DESCRIPTION	VALIDITY	Q.TY	
-------	-----	----------	-------------	----------	------	---


DRAWING 001.2 DIAGNOSIS TESTER MATHESIS



DRAWING

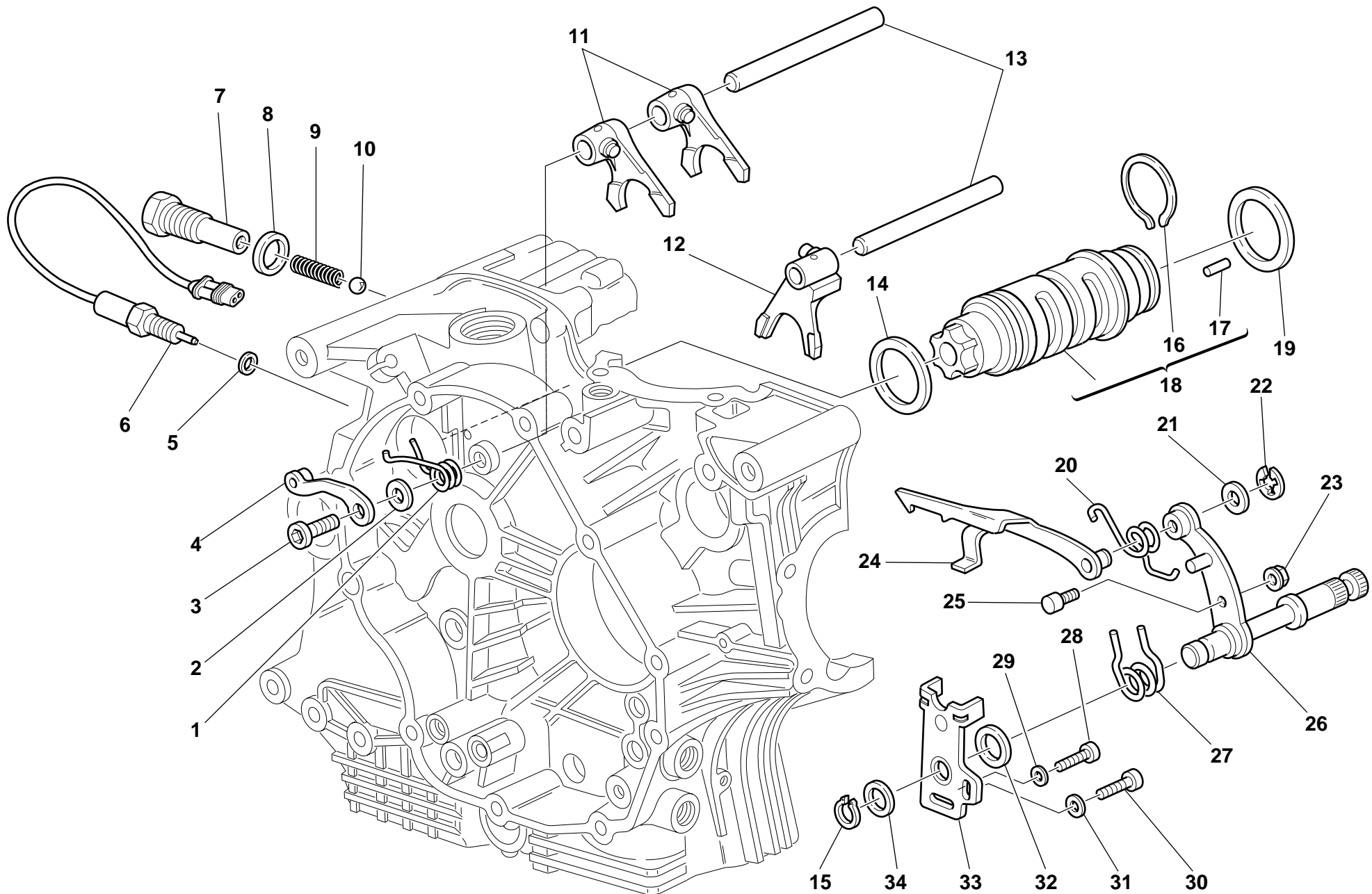
001.2**DIAGNOSIS TESTER MATHESIS**

NOTES	NO.	CODE NO.	DESCRIPTION	VALIDITY	Q.TY	
	1	88765.1126Z	Bare Mathesis		1	
	2	914.7.023.1A	Italian manual		1	
	2	914.7.023.1B	English manual		1	
	2	914.7.023.1C	German manual		1	
	2	914.7.023.1D	Franch manual		1	
	2	914.7.023.1E	Spanish manual		1	
	3	88765.1126R	Main cable Mathesis		1	
	4	88765.1126A	Pickup Control cable		1	
	5	88765.1126Q	Battery mains cable		1	
	6	88765.1126	Mains cable adapter for self diagnosis		1	
	7	88765.1126N	Sensor for absolute pressure sampling		1	
	8	88765.1126V	Amperometer plier		1	
	9	88765.1126E	Adapter for 3 wires Pickup test cable		1	
	10	88765.1126P	Sensor for air temperature sampling		1	
	11	88765.1126C	Cable for potentiometer adjustment		1	
	12	88765.1126B	Test cable and speed indicator adjustment		1	
	13	88765.1126F	Adapter for 2 wires Pickup test cable		1	
	14	88765.1126D	Adapter for potentiometer adjustment		1	
	15	552.4.028.1A	Sensor for small throttle potentiometer sampling		1	
	16	88765.1126H	Sensor for throttle potentiomer sampling		1	
	17	88765.1126G	Sensor for air/water temperature sampling		1	
	18	88765.1126M	Sfety remote switch		1	
	19	88765.1126L	2 Wires sampling Pickup sensor		1	
	20	88765.1126U	Case with sponge		1	
	21	88765.1073	Italian memory card		1	
	21	88765.1074	English memory card		1	

NOTES	NO.	CODE NO.	DESCRIPTION	VALIDITY	Q.TY	
	21	88765.1075	German memory card		1	
	21	88765.1076	French memory card		1	
	21	88765.1077	Spanish memory card		1	
	22	88765.1126S	DUCATI sticker for case		1	
	23	88765.1126T	DUCATI sticker RH/LH side		1	


CATALOGUE No:
ISSUED:**915.1.063.1C**
05 - 00CATALOGUE No:
ISSUED:**915.1.063.1C**
05 - 00

DRAWING 002 GEARCHANGE

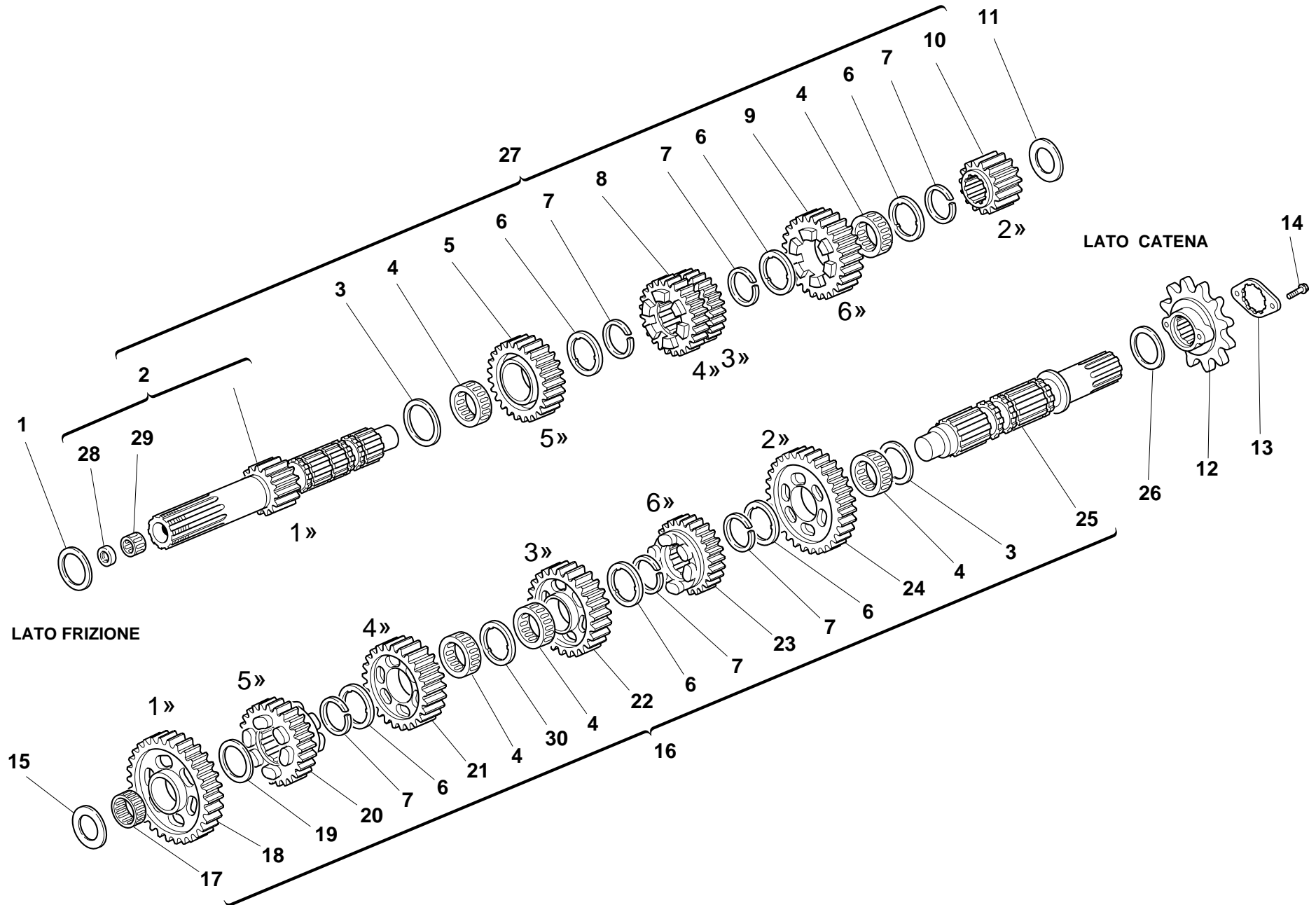


DRAWING **002** GEARCHANGE

NOTES	NO.	CODE NO.	DESCRIPTION	VALIDITY	Q.TY	
	1	799.1.049.1A	Return spring		1	
	2	852.1.053.1A	Washer		1	
	3	779.1.039.1A	Special screw		1	
	4	455.2.003.1A	Gear stopper assembly		1	
	5	0150.92.280	Gasket th.2		1	
	5	0504.03.085	Gasket th.1,5		1	
	5	420.2.000.8A	Copper gasket		1	
	5	852.1.111.1A	Gasket th.0.5		1	
	6	539.1.021.1A	Switch		1	
	7	779.1.203.1A	Push rod holder		1	
	8	0272.91.090	Gasket		1	
	9	0660.13.143	Gear selector spring		1	
	10	76835.1134	Ball		1	
	11	180.1.001.1A	1st,4th-2nd,3rd gear selector fork		2	
	12	180.1.002.1A	5th,6th gear selector fork		1	
	13	0660.13.070	Fork pin		2	
	14	852.1.005.1A	Shim th. 1		1	
	15	73500.1542	Circlip		1	
	16	882.1.006.1A	Needle retaining ring (square cross-section)		1	
	17	821.1.070.1A	Special roller (square cross-section)		6	
	18	182.2.010.1A	Complete gearbox drum		1	
	19	0660.13.060	Shim th. 1		1	
	19	852.1.094.1A	Shim th. 0.9		1	
	20	0799.13.110	Gearchange lever return spring		1	
	21	0400.09.050	Shim th. 0.5		1	
	21	0765.92.205	Shim th. 0.2		2	

NOTES	NO.	CODE NO.	DESCRIPTION	VALIDITY	Q.TY	
	22	0214.07.350	Ring		1	
	23	750.5.001.1A	Nut		1	
	24	180.1.008.1A	Gearbox drum control fork		1	
	25	0660.13.165	Gearchange lever pin		1	
	26	821.1.001.1A	Pin with gearchange lever		1	
	27	799.1.025.1A	Fork return spring		1	
	28	60N102509	Screw		1	
	29	462.3.003.8A	Washer		1	
	30	771.5.122.2B	Screw		1	
	31	462.3.003.7A	Washer		1	
	32	881.1.012.1A	Centering ring		1	
	33	826.1.009.1A	Stopper plate		1	
	34	0400.29.125	Shim th. 0.2		2	
	34	0400.29.126	Shim th. 0.5		1	


DRAWING 003 GEAR-BOX



DRAWING **003** GEAR-BOX

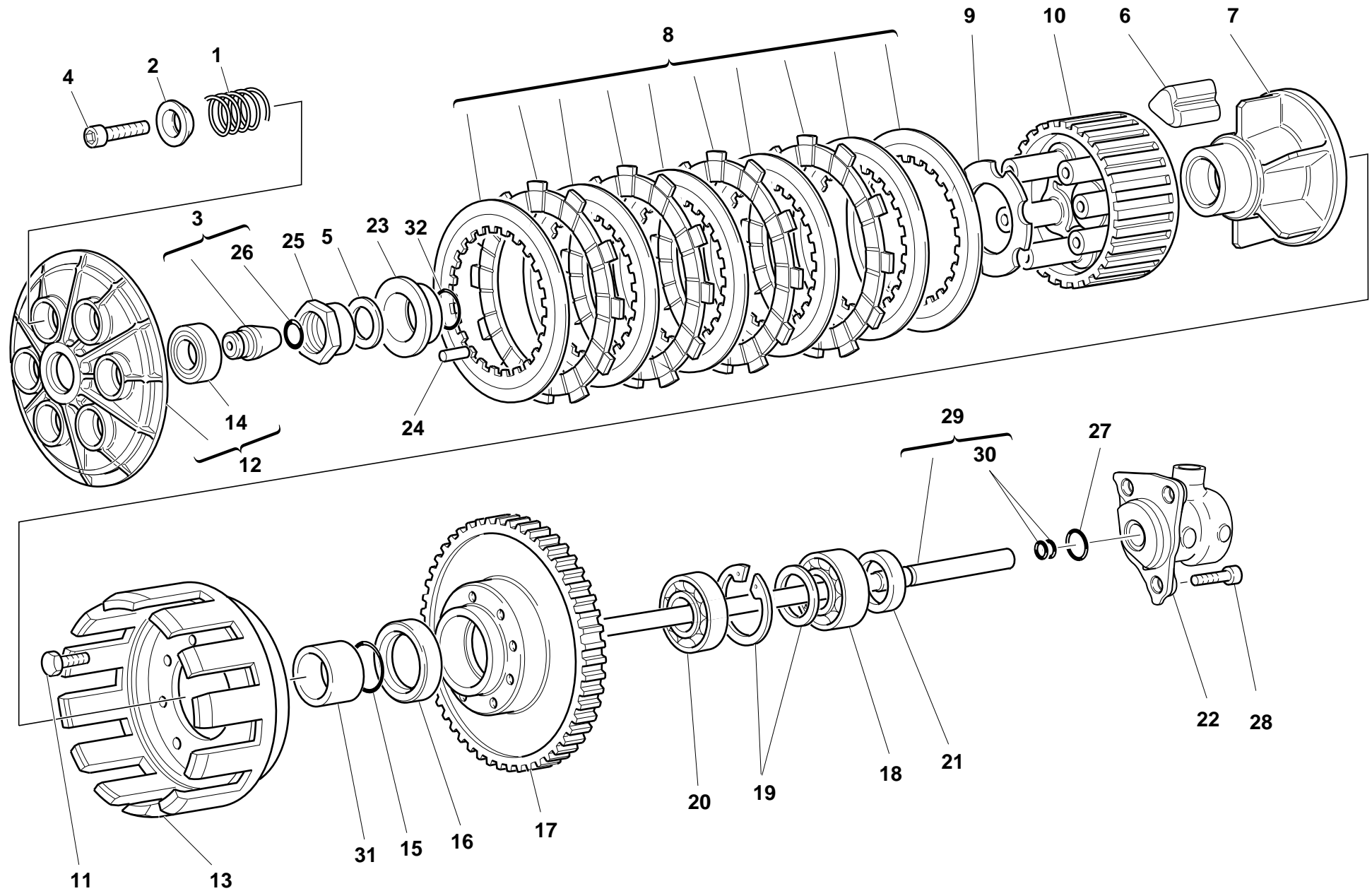
NOTES	NO.	CODE NO.	DESCRIPTION	VALIDITY	Q.TY	
	1	0251.47.050	Shim th. 1		1	
	1	0251.47.054	Shim th. 1.2		1	
	1	852.1.108.1AH	Shim th. 0.9		1	
	1	852.1.108.1AL	Shim th. 1,1		1	
	1	852.1.108.1AN	Shim th. 1,3		1	
	2	150.2.006.1A	Gearbox main shaft		1	
	3	0670.16.150	Shim th. 0.5		2	
	4	701.4.005.1A	Needle bearing		5	
	5	172.1.004.1A	Driving gear 5th sp.		1	
	6	856.1.001.1A	Grooved washer th. 0.5		6	
	7	0670.16.145	Snap ring		6	
	8	172.1.003.1A	Driving gear 3rd/4th sp.		1	
	9	172.1.005.1A	Driving gear 6th sp.		1	
	10	172.1.002.1B	Driving gear 2nd sp.		1	
	11	0670.16.163	Shim th. 1.8		1	
	11	0670.16.164	Shim th. 2		1	
	11	713.1.014.1A	Shim th. 1.5		1	
	11	713.1.014.1B	Shim th. 1.7		1	
	11	713.1.014.1E	Shim th. 1.6		1	
	11	713.1.014.1F	Shim th. 1.9		1	
	12	449.1.027.2A	Chain sprocket Z=15		1	
	13	826.1.011.1A	Sprocket keep plate		1	
	14	8A00.67997	Screw		2	
	15	0670.16.164	Shim th. 2		1	
	15	0670.16.165	Shim th. 2.2		1	
	15	0670.16.184	Shim th. 1		1	

CATALOGUE No:
ISSUED:*915.1.063.1C*
05 - 00

NOTES	NO.	CODE NO.	DESCRIPTION	VALIDITY	Q.TY	
	15	0670.16.185	Shim th. 1.2		1	
	15	713.1.011.1A	Shim th. 2.3		1	
	15	713.1.014.1A	Shim th. 1.5		1	
	15	713.1.014.1E	Shim th. 1.6		1	
	16	150.2.035.1A	Complete lay shaft		1	
	17	76402.0002	Needle bearing		1	
	18	172.1.006.1B	Driven gear 1st sp.		1	
	19	0670.16.155	Shim th. 1		1	
	20	172.1.010.1A	Driven gear 5th sp.		1	
	21	172.1.009.1A	Driven gear 4th sp.		1	
	22	172.1.008.1A	Driven gear 3rd sp.		1	
	23	172.1.011.1A	Driven gear 6th sp.		1	
	24	172.1.007.1B	Driven gear 2nd sp.		1	
	25	149.1.024.1A	Gearbox lay shaft		1	
	26	0670.16.170	Shim th. 0.8		1	
	26	0670.16.171	Shim th. 1		1	
	26	852.1.105.1AB	Shim th. 0.9		1	
	26	852.1.105.1AD	Shim th. 1,1		1	
	26	852.1.105.1AG	Shim th. 0.7		1	
	27	150.2.005.1A	Complete main shaft		1	
	28	93783.0812	Seal ring		1	
	29	76270.0827	Needle bearing		1	
	30	856.1.031.1A	Grooved washer th. 0.5		1	


CATALOGUE No:
ISSUED:*915.1.063.1C*
05 - 00

DRAWING 004 CLUTCH

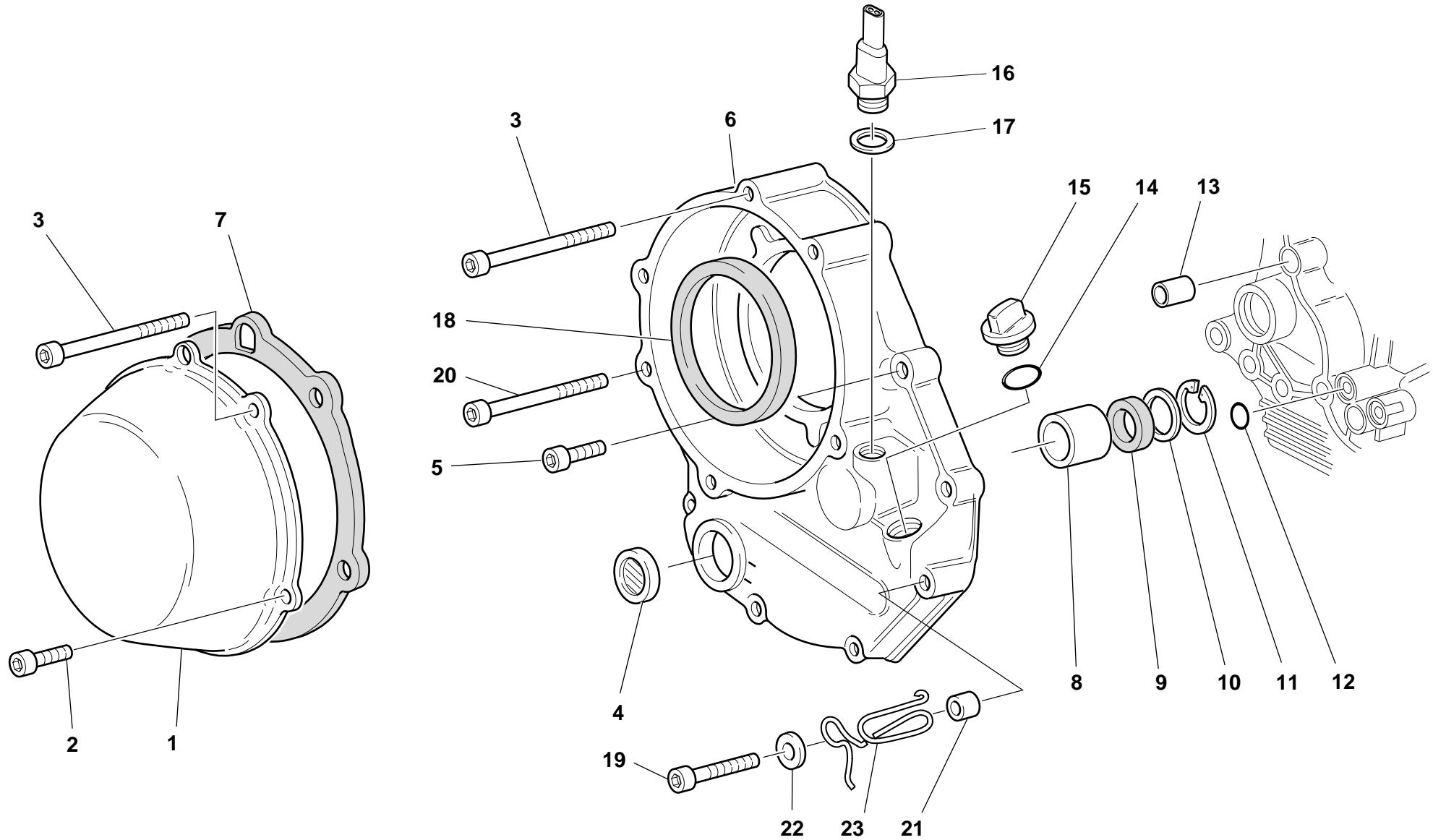


DRAWING **004** CLUTCH


NOTES	NO.	CODE NO.	DESCRIPTION	VALIDITY	Q.TY	
	1	0659.16.555	Clutch spring		6	
	2	841.1.002.2A	Retainer		6	
	3	818.2.009.1A	Clutch control pin		1	
	4	771.5.043.2B	Screw		6	
	5	851.4.001.1A	Lock washer		1	
	6	764.1.003.1B	Rubber pad		12	
	7	162.1.001.1B	Plate holder hub		1	
	8	190.2.001.3A	Clutch plates set		1	
	9	851.1.001.1B	Lock washer		1	
	10	196.1.001.1B	Clutch drum		1	
	11	70610.8120	Screw		8	
	12	194.2.001.1B	Pressure plate		1	
	13	198.1.027.1A	Clutch housing		1	
	14	702.5.016.1A	Bearing		1	
	15	463.2.053.7A	O-ring		1	
	16	463.4.026.9A	Seal ring		1	
	17	170.2.020.1B	Clutch/crankshaft gears pair		1	
	18	463.7.022.6A	Bearing		1	
	19	881.2.001.1A	Circlip - spacer		1	
	20	75113.2566	Bearing		1	
	21	0660.16.145	Spacer		1	
	22	195.4.003.1A	Piston assembly		1	
	23	710.1.002.1A	Bush		1	
	24	74224.0570	Pin		1	
	25	750.1.002.1B	Nut		1	
	26	0400.17.030	O-ring		1	

NOTES	NO.	CODE NO.	DESCRIPTION	VALIDITY	Q.TY	
	27	0647.92.170	O-ring		1	
	28	60N107335	Screw		3	
	29	117.2.006.1A	Clutch control rod		1	
	30	93823.2018	O-ring		2	
	31	713.1.012.1B	Spacer		1	
	32	93823.0128	O-ring		1	

DRAWING 005 CLUTCH COVER



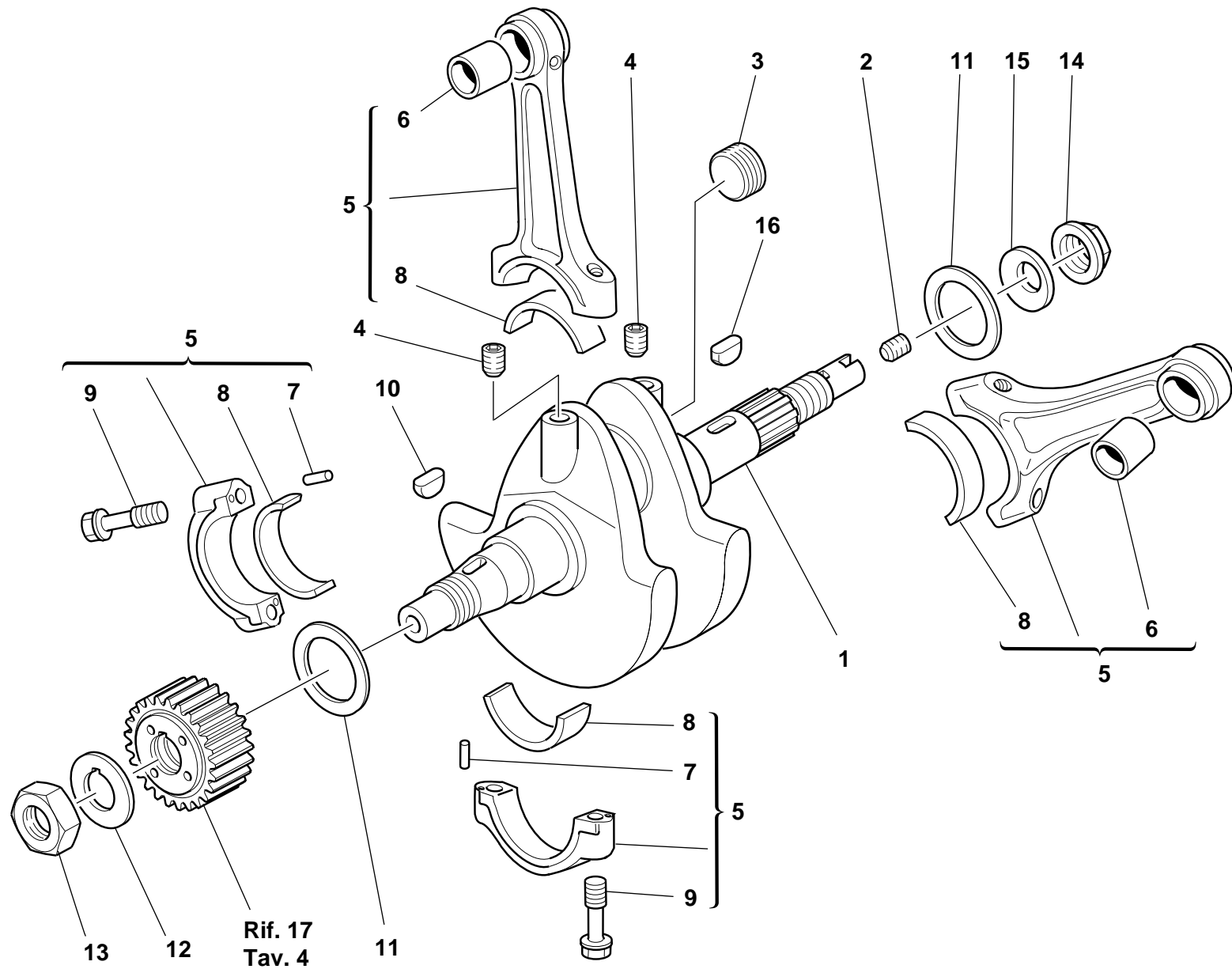
DRAWING **005** **CLUTCH COVER**

NOTES	NO.	CODE NO.	DESCRIPTION	VALIDITY	Q.TY	
	1	243.1.025.1AD	Clutch protection cover		1	
	2	60N102509	Screw		3	
	3	417.6.075.9A	Screw		3	
	4	254.4.001.1A	Oil level inspection cap		1	
	5	60N102510	Screw		5	
	6	243.2.004.1BB	Cover clutch side		1	
	7	788.1.052.1A	Cover gasket		1	
	8	0665.49.680	Bush		1	
	9	93784.2030	Seal ring		1	
	10	852.1.008.1A	Shim th. 0.5		1	
	11	73503.3075	Circlip		1	
	12	93827.0114	O-ring		1	
	13	0400.49.240	Locating bush		1	
	14	93823.2082	O-ring		1	
	15	893.1.005.1A	Cap		1	
	16	539.4.030.1A	Switch		1	
	17	0150.70.120	Gasket th.2		1	
	18	463.4.047.7A	Ring		1	
	19	771.5.072.2B	Screw		1	
	20	771.5.078.2B	Screw		1	
	21	0675.49.540	Spacer		1	
	22	734306N01	Washer		1	
	23	881.1.030.1A	Holder		1	

NOTES	NO.	CODE NO.	DESCRIPTION	VALIDITY	Q.TY	
-------	-----	----------	-------------	----------	------	---


DRAWING 006

CRANKSHAFT



DRAWING **006** **CRANKSHAFT**

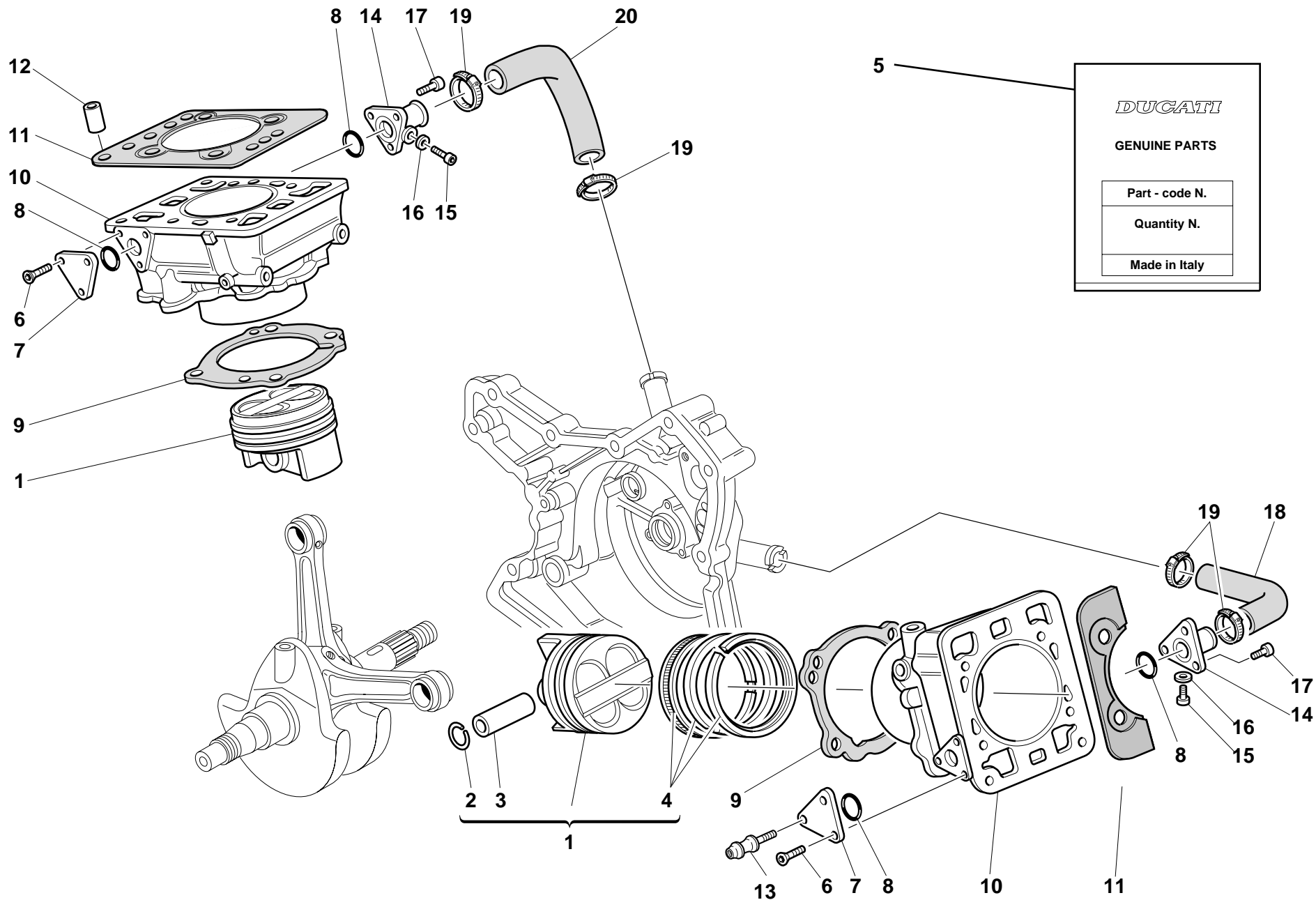
NOTES	NO.	CODE NO.	DESCRIPTION	VALIDITY	Q.TY	
	1	146.2.017.1A	Crankshaft (items 2-3-4 included)		1	
	2	779.1.109.1A	Special screw		1	
	3	895.1.004.1A	Cap		1	
	4	72121.2106	Threaded dowel		2	
	5	158.2.006.1D	Connecting rods pair (6-7-8 included)		1	
	6	712.1.021.1A	Bush		2	
	7	74224.0570	Pin		4	
	8	112.1.007.1BA	Half-bearing (RED)		4	
	8	112.1.007.1BB	Half-bearing (BLUE)		4	
	9	779.1.007.2A	Special screw		4	
	10	0755.29.025	Woodruff key		1	
	11	852.1.104.1A	Shim th. 1.9		1	
	11	852.1.104.1B	Shim th. 1.95		1	
	11	852.1.104.1C	Shim th. 2		1	
	11	852.1.104.1D	Shim th. 2,05		1	
	11	852.1.104.1E	Shim th. 2,1		1	
	11	852.1.104.1F	Shim th. 2,15		1	
	11	852.1.104.1G	Shim th. 2.2		1	
	11	852.1.104.1H	Shim th. 2.25		1	
	11	852.1.104.1I	Shim th. 2.3		1	
	11	852.1.104.1J	Shim th. 2.35		1	
	11	852.1.104.1K	Shim th. 2,4		1	
	11	852.1.104.1L	Shim th. 2,45		1	
	11	852.1.104.1M	Shim th. 2.5		1	
	11	852.1.104.1N	Shim th. 2.55		1	
	12	0619.47.030	Lock washer		1	

NOTES	NO.	CODE NO.	DESCRIPTION	VALIDITY	Q.TY	
	13	0660.47.040	Nut		1	
	14	750.1.012.2A	Nut		1	
	15	799.1.051.2A	Spring washer		1	
	16	74172.1008	Woodruff key		1	


DRAWING

007

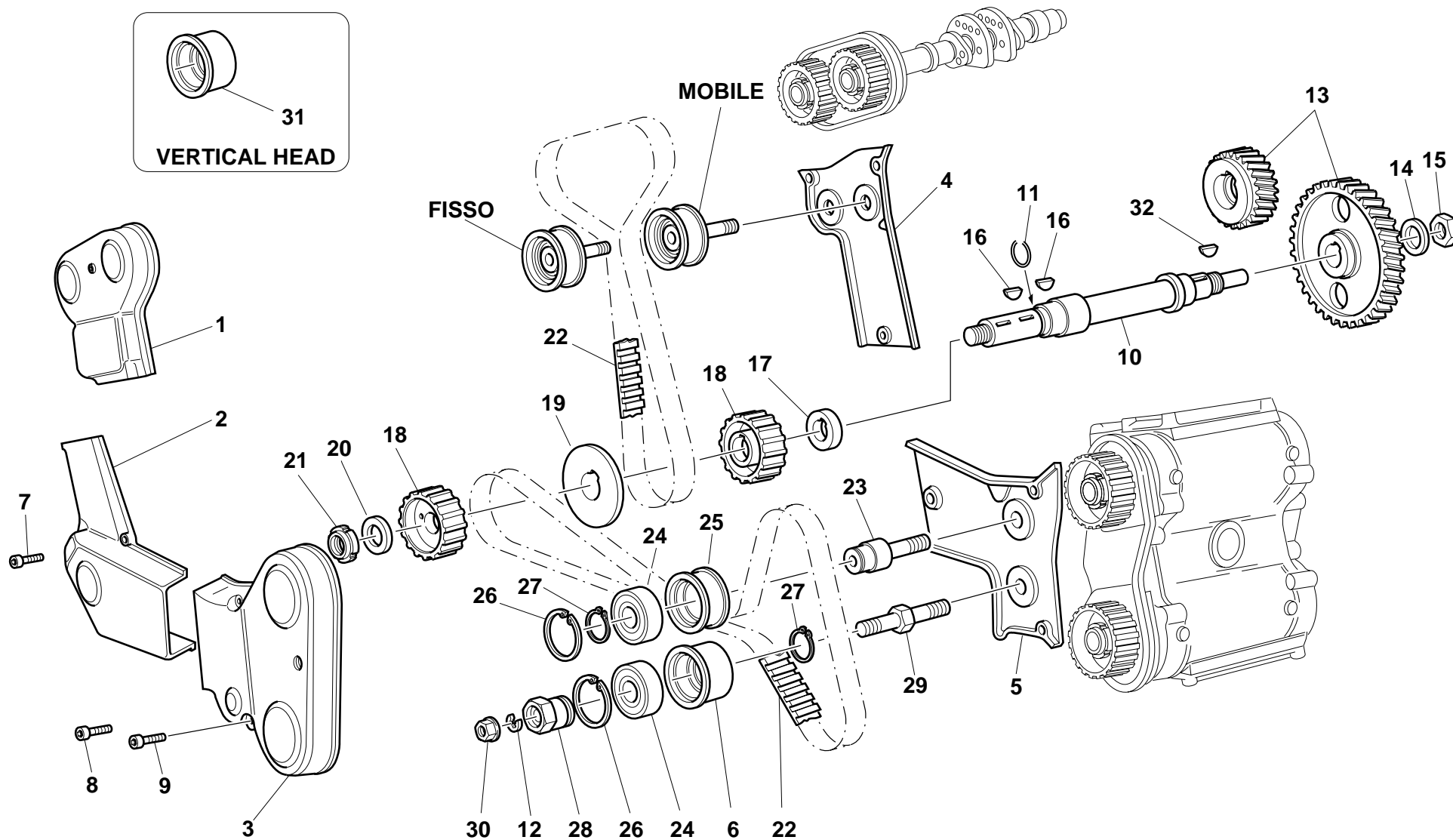
CYLINDERS - PISTONS



DRAWING **007****CYLINDERS - PISTONS**


NOTES	NO.	CODE NO.	DESCRIPTION	VALIDITY	Q.TY	
	1	122.2.030.1B	Complete piston		2	
	2	121.1.003.1A	Piston pin circlip		4	
	3	121.1.038.1A	Piston pin		2	
	4	121.2.003.1A	Piston rings set		2	
	5	791.2.024.1A	Head-cylinder gaskets set		1	
	6	70780.6516	Screw		5	
	7	247.1.020.1AB	Cover		2	
	8	93823.2087	O-ring		4	
	9	786.1.060.1A	Cylinder-crankcase gasket th. 0.4		2	
	10	120.2.059.1A	Cylinder-piston fit		2	
	11	786.1.054.2A	Head-cylinder gasket		2	
	12	0619.49.240	Bush		4	
	13	684.1.014.1B	Stud bolt		1	
	14	814.1.002.1AB	Water inlet union to cylinders		2	
	15	60N102504	Screw		2	
	16	420.2.000.7A	Copper gasket		2	
	17	60N107335	Screw		6	
	18	800.1.008.1A	Horizontal cylinder water inlet hose		1	
	19	741.4.002.1A	Clamp		4	
	20	800.1.007.1A	Vertical cylinder water inlet hose		1	

NOTES	NO.	CODE NO.	DESCRIPTION	VALIDITY	Q.TY	
-------	-----	----------	-------------	----------	------	---

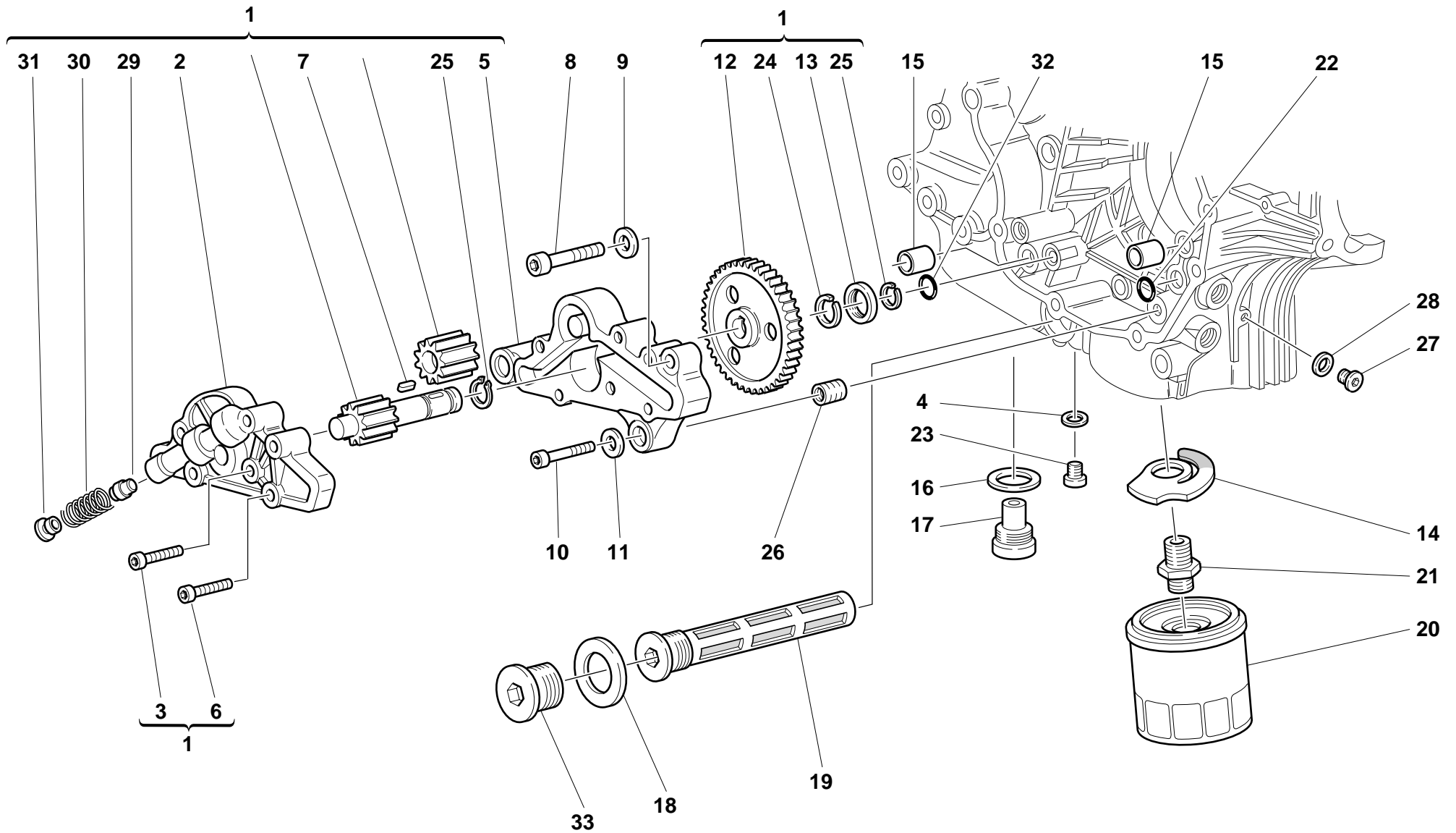


DRAWING **008** **TIMING**

NOTES	NO.	CODE NO.	DESCRIPTION	VALIDITY	Q.TY	
	1	245.1.021.1AB	Vertical belt outer cover		1	
	2	245.1.022.1AB	Outer central cover		1	
	3	245.1.020.1AB	Horizontal belt outer cover		1	
	4	245.1.018.2AB	Vertical belt inner cover		1	
	5	245.1.019.2AB	Horizontal belt inner cover		1	
	6	451.1.021.1A	Movable tensioner roller bush		1	
	7	60N102510	Screw		3	
	8	60N107335	Screw		3	
	9	60N102511	Screw		3	
	10	147.1.014.1A	Timing lay shaft		1	
	11	882.1.003.1A	Snap ring		1	
	12	462.4.037.8A	Spring washer		2	
	13	171.2.020.2B	Timing gears pair		1	
	14	0400.29.040	Lock washer		1	
	15	0124.40.060	Hexagon nut		1	
	16	74172.1008	Woodruff key		2	
	17	713.1.166.1A	Spacer		1	
	18	255.1.004.1A	Timing belt roller		2	
	19	856.1.002.1A	Belt roller separating washer		1	
	19	856.1.049.1A	Shim th. 0.3		1	
	19	856.1.050.1A	Shim th. 0.2		1	
	20	0797.69.040	Washer		1	
	21	72944.1542	Elastic-stop ring nut		1	
	22	737.4.010.2B	Timing drive toothed belt		2	
	23	451.1.004.1A	Fixed tensioner roller pin		2	
	24	702.5.001.1A	Bearing		2	


NOTES	NO.	CODE NO.	DESCRIPTION	VALIDITY	Q.TY	
	25	451.1.010.1A	Fixed tensioner bush		2	
	26	73503.3380	Circlip		2	
	27	73500.1747	Snap ring		2	
	28	451.1.002.1A	Tensioner eccentric		2	
	29	451.1.001.1A	Movable tensioner roller pin		2	
	30	729908FN1	Nut		2	
	31	451.1.007.1A	Movable tensioner roller bush		1	
	32	0755.29.025	Woodruff key		1	

DRAWING 009 FILTERS AND OIL PUMP



DRAWING **009****FILTERS AND OIL PUMP**

NOTES	NO.	CODE NO.	DESCRIPTION	VALIDITY	Q.TY	
	1	174.2.025.3A	Complete oil pump		1	
	2	247.1.104.1A	Pump cover		1	
	3	779.5.020.1A	Screw		3	
	4	852.1.120.1A	Aluminium gasket		1	
	5	250.2.030.3A	Pump body		1	
	6	779.5.001.1A	Screw		3	
	7	680.1.001.1B	Woodruff key		1	
	8	771.5.129.2B	Screw		2	
	9	462.4.037.8A	Spring washer		2	
	10	60N102510	Screw		1	
	11	462.4.037.6A	Spring washer		1	
	12	174.1.025.1A	Pump drive gear		1	
	13	710.1.001.1A	Bush		1	
	14	799.2.077.2A	Bypass spring		1	
	15	0759.49.280	Locating bush		2	
	16	220.3.208.3A	Gasket		1	
	17	0660.49.053	Oil drain plug with magnet		1	
	18	852.5.005.1A	Gasket		1	
	19	894.2.009.1A	Oil filter		1	
	20	0905.49.960	Oil filter cartridge		1	
	21	0670.49.910	Nipple		1	
	22	93827.0114	O-ring		1	
	23	779.1.198.1A	Cap		1	
	24	76267.0012	Snap ring		1	
	25	73500.1237	Circlip		2	
	26	0670.49.310	Reduction bush		1	

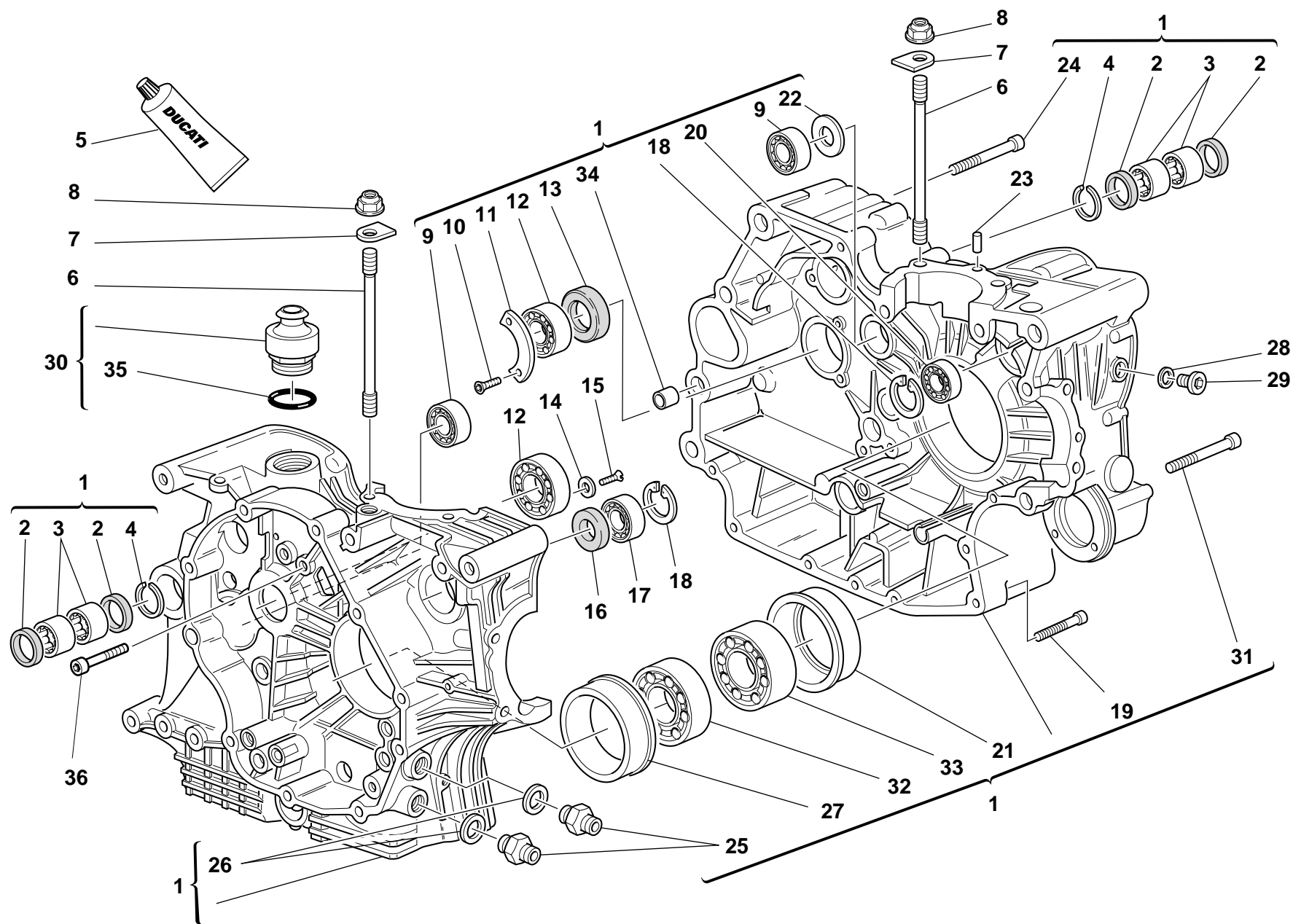
NOTES	NO.	CODE NO.	DESCRIPTION	VALIDITY	Q.TY	
	27	779.1.162.1A	Cap		1	
	28	0150.70.120	Gasket th.2		1	
	29	593.1.018.1A	Bypass valve		1	
	30	799.1.055.1A	Bypass spring		1	
	31	780.1.018.1A	Bypass cap		1	
	32	886.4.037.1A	O-ring		1	
	33	873.1.037.1A	Cap		1	

CATALOGUE No:
ISSUED:**915.1.063.1C**
05 - 00CATALOGUE No:
ISSUED:**915.1.063.1C**
05 - 00

DRAWING


010

HALF CRANKCASES



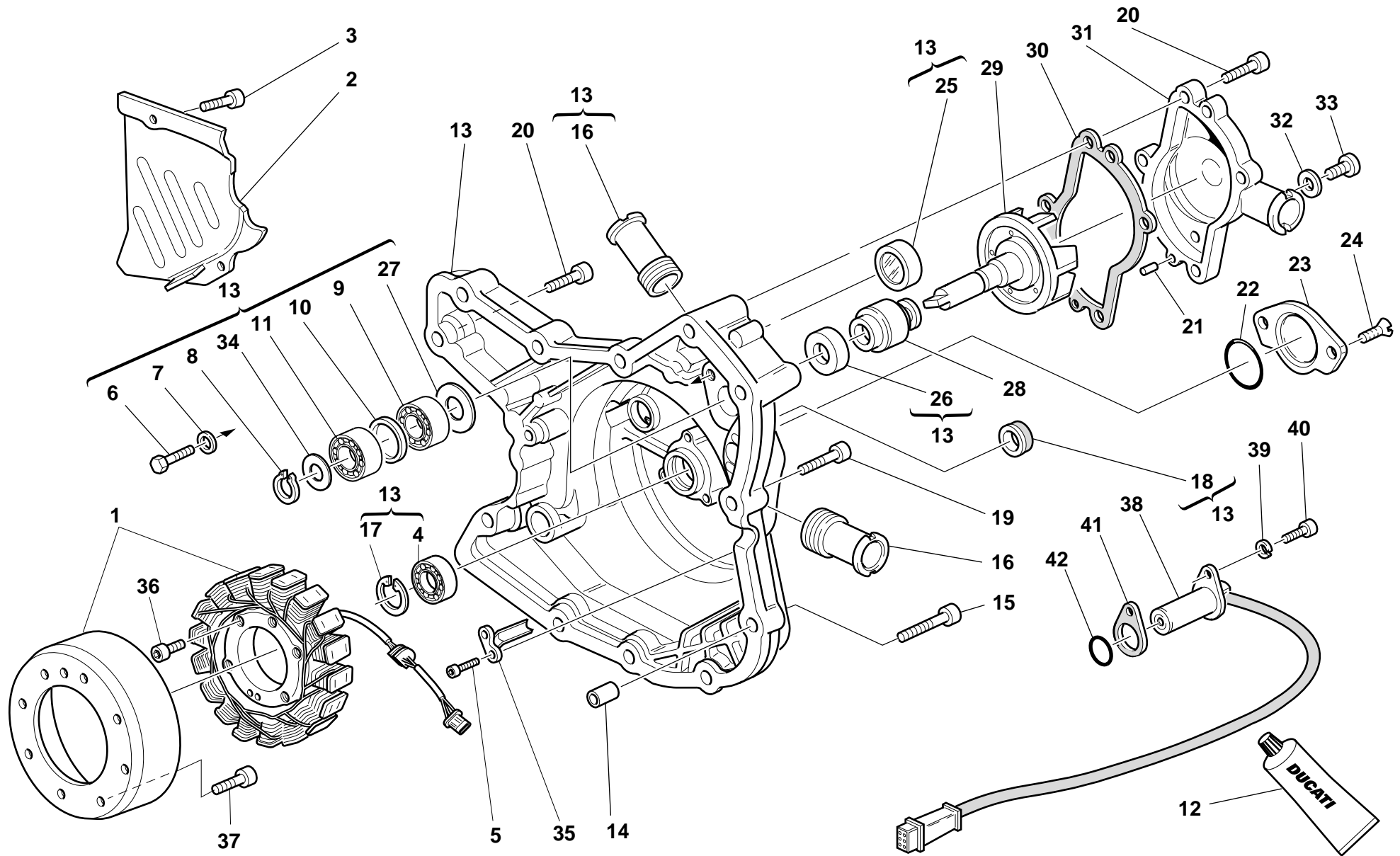
DRAWING **010** HALF CRANKCASES

NOTES	NO.	CODE NO.	DESCRIPTION	VALIDITY	Q.TY	
	1	225.2.041.1A	Complete half-crankcases pair		1	
	2	0755.49.265	Seal ring		4	
	3	76400.0004	Needle bearing		4	
	4	76266.2668	Snap ring		2	
	5	94247.0014	Fluid sealant		1	
	6	766.1.014.1A	Stud bolt for fastening head cylinder		8	
	7	856.1.025.1A	Special washer		8	
	8	0670.92.010	Nut		8	
	9	75791.1747	Bearing		2	
	10	72094.1616	Screw		2	
	11	826.1.003.1A	Keep plate		1	
	12	702.5.019.1A	Bearing		2	
	13	93783.2552	Seal ring		1	
	14	713.1.140.1A	Spacer		2	
	15	60N101079	Screw		2	
	16	93785.1830	Seal ring		1	
	17	75794.1542	Bearing		1	
	18	73503.3380	Circlip		1	
	19	771.5.072.2B	Screw		7	
	20	702.5.008.1A	Bearing		1	
	21	710.1.070.1A	Bearing holder bush		1	
	22	0370.49.250	Washer		1	
	23	0011.52.010	Locating dowel		2	
	24	771.5.136.2B	Screw		7	
	25	815.1.022.1A	Nipple		2	
	26	420.2.006.4A	Aluminium gasket		2	

NOTES	NO.	CODE NO.	DESCRIPTION	VALIDITY	Q.TY	
	27	710.1.069.1A	Bearing holder bush		1	
	28	420.2.006.2A	Aluminium gasket		1	
	29	779.1.182.1A	Special screw		1	
	30	593.1.003.1B	Breather valve		1	
	31	771.5.080.2B	Screw		2	
	32	75143.3380	Bearing		1	
	33	75191.3380	Bearing		1	
	34	711.1.095.1A	Bush		2	
	35	93823.3156	O-ring		1	
	36	771.1.010.1A	Screw		2	


DRAWING 011

WATER PUMP - ALTERNATOR COVER



DRAWING **011****WATER PUMP - ALTERNATOR COVER**

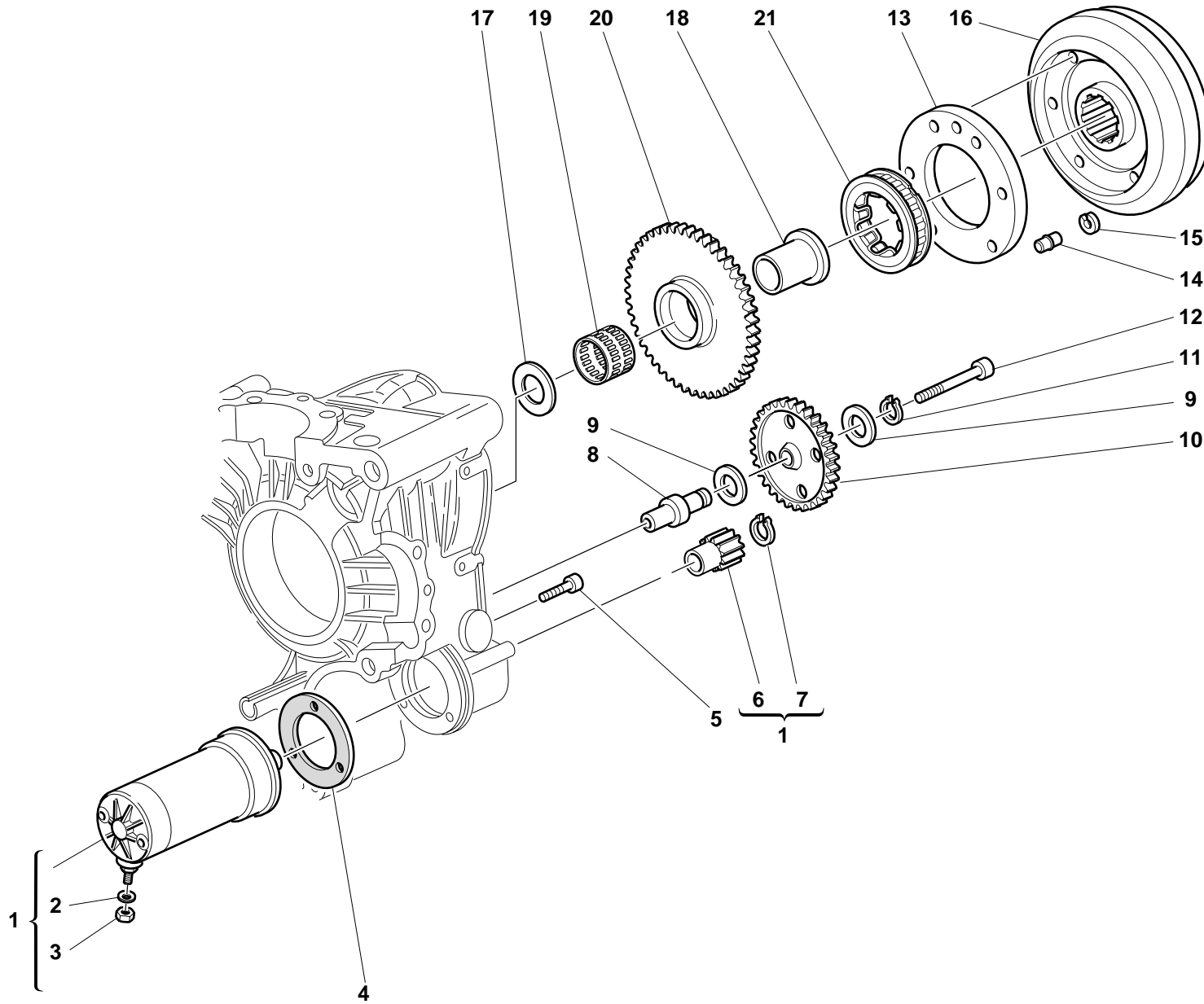
NOTES	NO.	CODE NO.	DESCRIPTION	VALIDITY	Q.TY	
	1	264.4.018.1A	Generator		1	
	2	247.1.083.1AE	Chain cover		1	
	3	771.5.064.2B	Screw		2	
	4	702.5.008.1A	Bearing		1	
	5	771.5.040.2B	Screw		2	
	6	60N101079	Screw		2	
	7	462.3.003.8A	Washer		2	
	8	884.5.011.1A	A 10 Ring		1	
	9	702.4.010.1A	Bearing		1	
	10	713.1.118.1A	Spacer		1	
	11	702.4.009.1A	Bearing		1	
	12	94247.0014	Fluid sealant		1	
	13	242.2.038.1BB	Generator cover		1	
	14	0400.49.240	Locating bush		2	
	15	60N102511	Screw		2	
	16	668.1.001.2A	Water pump delivery filler		2	
	17	73503.3380	Circlip		1	
	18	93783.1524	Seal ring		1	
	19	60N102510	Screw		9	
	20	771.5.066.2B	Screw		5	
	21	0011.52.010	Locating dowel		2	
	22	886.4.035.1A	O-ring		1	
	23	247.1.002.1BC	Cover		1	
	24	777.5.049.2CB	Screw		2	
	25	254.1.001.1A	Ignition inspection cap		1	
	26	930.5.005.1A	Seal		1	

NOTES	NO.	CODE NO.	DESCRIPTION	VALIDITY	Q.TY	
	27	713.1.128.1B	Spacer		1	
	28	930.5.006.2B	Mechanical seal		1	
	29	251.2.001.4B	Water pump fan		1	
	30	788.1.056.1A	Gasket		1	
	31	247.1.114.1AB	Complete water pump cover		1	
	32	420.2.001.0A	Gasket th.1		1	
	33	780.5.001.1A	Cap		1	
	34	852.1.114.1A	Washer		1	
	35	830.1.144.1A	Bracket		1	
	36	771.5.073.2B	Screw		3	
	37	771.4.006.1A	Screw		8	
	38	552.4.020.1A	Sensor		1	
	39	734005N01	Spring washer		2	
	40	70620.5212	Screw		2	
	41	788.1.066.1AA	Gasket th.0,6		1	
	41	788.1.066.1AB	Gasket th.0,8		1	
	41	788.1.066.1AC	Gasket th.1,0		1	
	42	886.4.003.1A	O-ring		1	


CATALOGUE No:
ISSUED:**915.1.063.1C**
05 - 00CATALOGUE No:
ISSUED:**915.1.063.1C**
05 - 00

DRAWING 012

ELECTRIC STARTER AND IGNITION

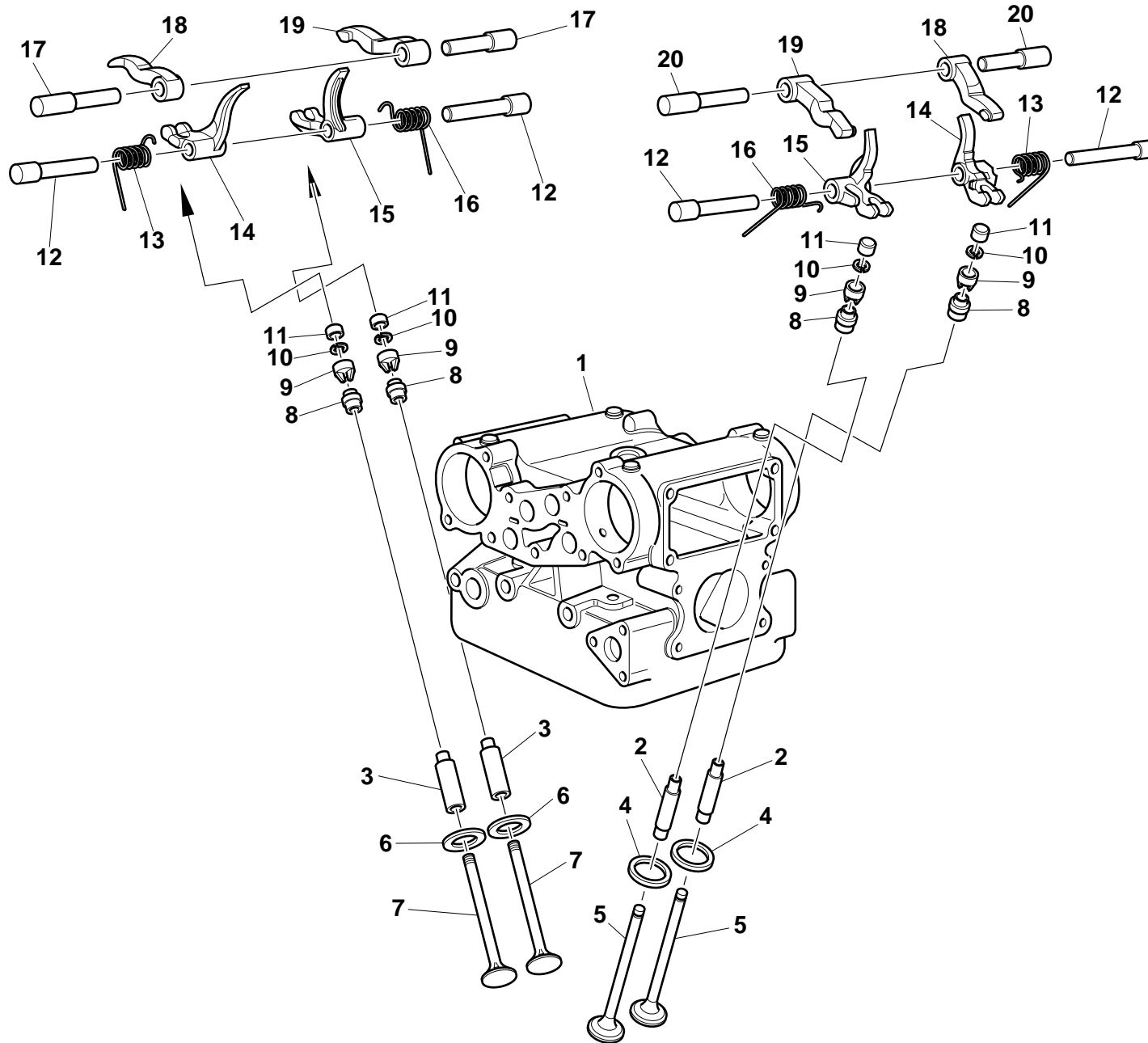


DRAWING **012****ELECTRIC STARTER AND IGNITION**

NOTES	NO.	CODE NO.	DESCRIPTION	VALIDITY	Q.TY	
	1	270.4.001.1A	Complete starter motor (8-9 included)		1	
	2	734006N01	Spring washer		1	
	3	417.9.050.6A	Nut		1	
	4	788.1.054.1A	Starter motor gasket		1	
	5	60N102510	Screw		3	
	6	176.1.001.1A	Starter motor sprocket		1	
	7	73500.1237	Circlip		1	
	8	0660.50.020	Intermediate gear pin		1	
	9	0124.40.050	Washer		2	
	10	176.1.009.1A	Intermediate gear assembly		1	
	11	73500.1440	Circlip		1	
	12	771.5.078.2B	Screw		1	
	13	160.1.057.1A	Flange		1	
	14	863.1.002.1A	Locating pin		1	
	15	0647.29.040	Check ring		1	
	16	276.1.025.1B	Ignition flywheel		1	
	17	0619.50.065	Washer		1	
	18	881.1.010.1C	Inner ring		1	
	19	701.4.003.1A	Needle bearing		1	
	20	173.1.012.1A	Electric starter driven gear		1	
	21	701.4.007.1A	Starter clutch		1	

NOTES	NO.	CODE NO.	DESCRIPTION	VALIDITY	Q.TY	
-------	-----	----------	-------------	----------	------	---


DRAWING **013** HEAD: TIMING



11 Registro bilanc. apertura Adjustment Réglage Ventilkäppchen		9 Registro bilanc. chiusura Adjustment Réglage Ventilkäppchen	
840.1.031.1A	1,8	840.1.051.1B	2,7
840.1.032.1A	1,85	840.1.052.1B	2,75
840.1.033.1A	1,9	840.1.053.1B	2,8
840.1.034.1A	1,95	840.1.054.1B	2,85
840.1.001.1A	2	840.1.055.1B	2,9
840.1.002.1A	2,05	840.1.056.1B	2,95
840.1.003.1A	2,1	840.1.057.1B	3
840.1.004.1A	2,15	840.1.058.1B	3,05
840.1.005.1A	2,2	840.1.059.1B	3,1
840.1.006.1A	2,25	840.1.060.1B	3,15
840.1.007.1A	2,3	840.1.061.1B	3,2
840.1.008.1A	2,35	840.1.062.1B	3,25
840.1.009.1A	2,4	840.1.063.1B	3,3
840.1.010.1A	2,45	840.1.064.1B	3,35
840.1.011.1A	2,5	840.1.065.1B	3,4
840.1.012.1A	2,55	840.1.066.1B	3,45
840.1.013.1A	2,6	840.1.067.1B	3,5
840.1.014.1A	2,65	840.1.068.1B	3,55
840.1.015.1A	2,7	840.1.069.1B	3,6
840.1.016.1A	2,75	840.1.070.1B	3,65
840.1.017.1A	2,8	840.1.071.1B	3,7
840.1.018.1A	2,85		
840.1.019.1A	2,9		
840.1.020.1A	2,95		
840.1.021.1A	3		
840.1.022.1A	3,05		
840.1.023.1A	3,1		
840.1.024.1A	3,15		
840.1.025.1A	3,2		
840.1.026.1A	3,25		
840.1.027.1A	3,3		
840.1.028.1A	3,35		
840.1.029.1A	3,4		
840.1.030.1A	3,45		

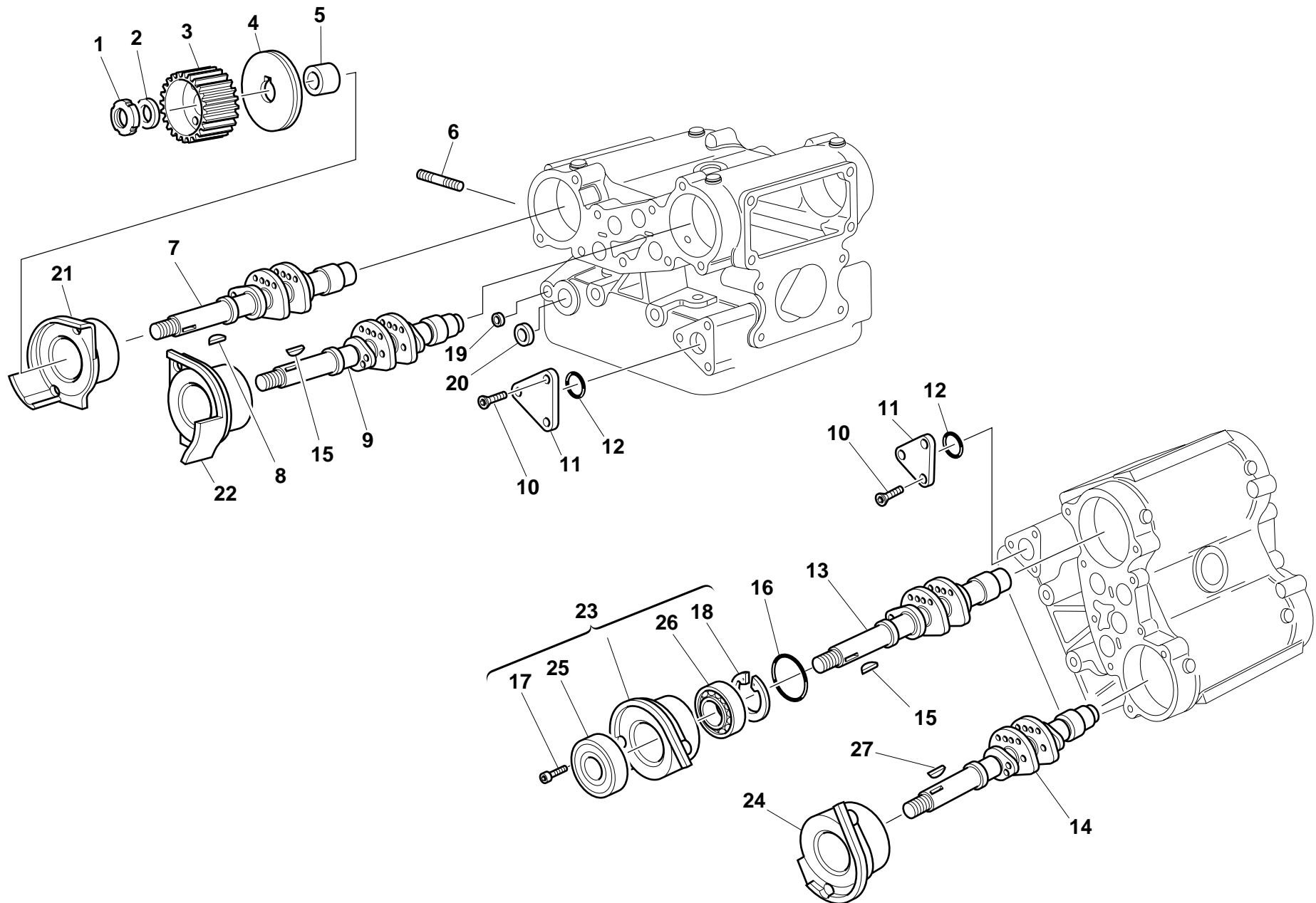
DRAWING **013** HEAD: TIMING

NOTES	NO.	CODE NO.	DESCRIPTION	VALIDITY	Q.TY	
	1	301.2.063.2A	Head (2,3,4,6 included)		2	
	2	303.1.001.2A	Intake valve cast iron guide		4	
	2	303.1.001.2AB	Oversize valve guide 0.03		4	
	2	303.1.001.2AC	Oversize valve guide 0.06		4	
	2	303.1.001.2AD	Oversize valve guide 0.09		4	
	3	303.1.015.1A	Exhaust valve bronze guide		4	
	3	303.1.015.1AB	Oversize valve guide 0.03		4	
	3	303.1.015.1AC	Oversize valve guide 0.06		4	
	3	303.1.015.1AD	Oversize valve guide 0.09		4	
	4	304.1.001.3B	Intake valve seat		4	
	4	304.1.001.3BB	Oversize intake valve seat 0.03		4	
	4	304.1.001.3BC	Oversize intake valve seat 0.06		4	
	5	210.2.004.2A	Intake valves pair (10 included)		2	
	6	304.1.002.2B	Exhaust valve seat		4	
	6	304.1.002.2BB	Oversize exhaust valve seat 0.03		4	
	6	304.1.002.2BC	Oversize exhaust valve seat 0.06		4	
	7	211.2.004.2A	Exhaust valves pair (10 included)		2	
	8	764.1.002.1A	Valve seal		8	
	9	840.9.001.1A	See table		8	
	10	669.1.001.1E	Split rings		16	
	11	840.9.002.1B	See table		8	
	12	821.1.004.1A	Closing rocker shaft		8	
	13	799.1.015.1A	L.H. valve return spring		4	
	14	209.1.002.5A	L.H. Closing rocker		4	
	15	209.1.001.5A	R.H. Closing rocker		4	
	16	799.1.014.1A	R.H. valve return spring		4	

NOTES	NO.	CODE NO.	DESCRIPTION	VALIDITY	Q.TY	
	17	821.1.003.1A	Exhaust opening rocker shaft		4	
	18	208.1.002.5A	L.H. Opening rocker		4	
	19	208.1.001.5A	R.H. Opening rocker		4	
	20	821.1.002.1A	Intake opening rocker shaft		4	


DRAWING 014

HEAD

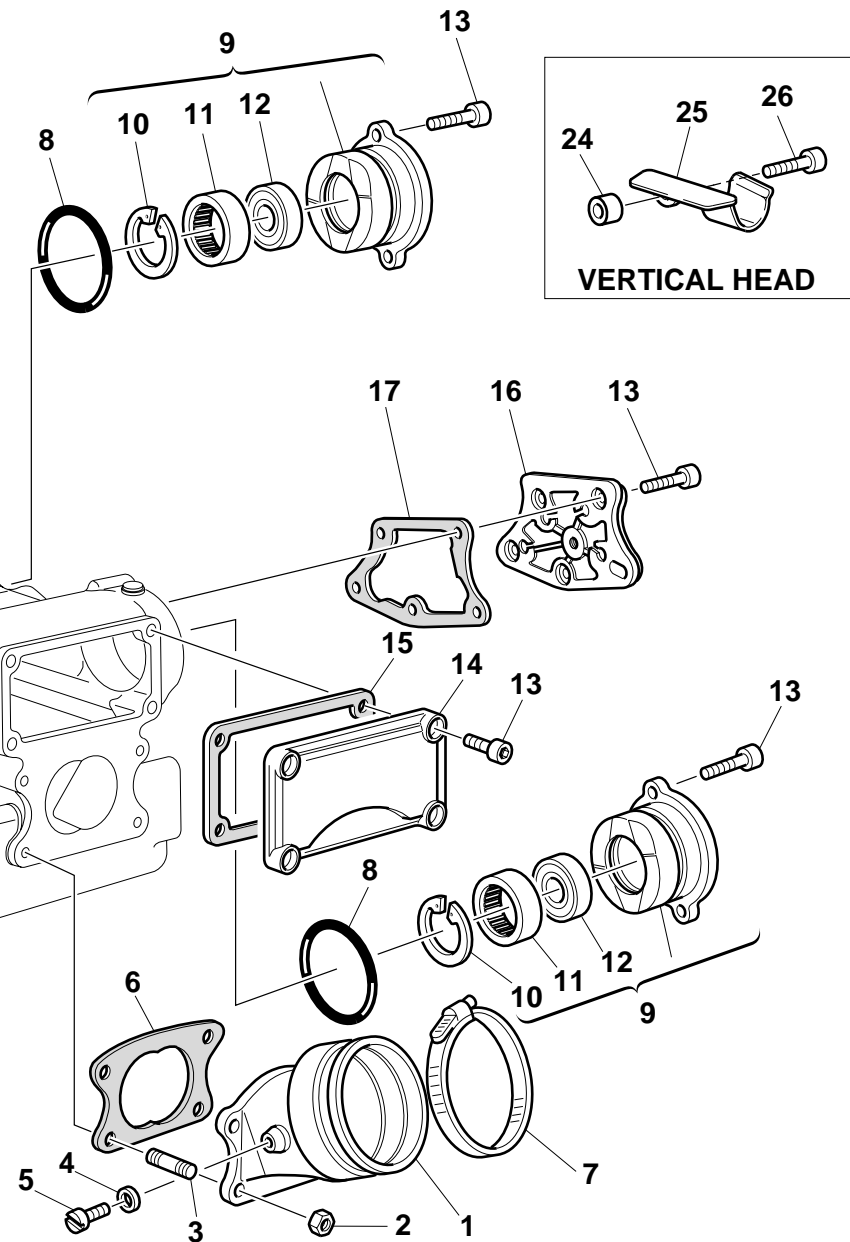
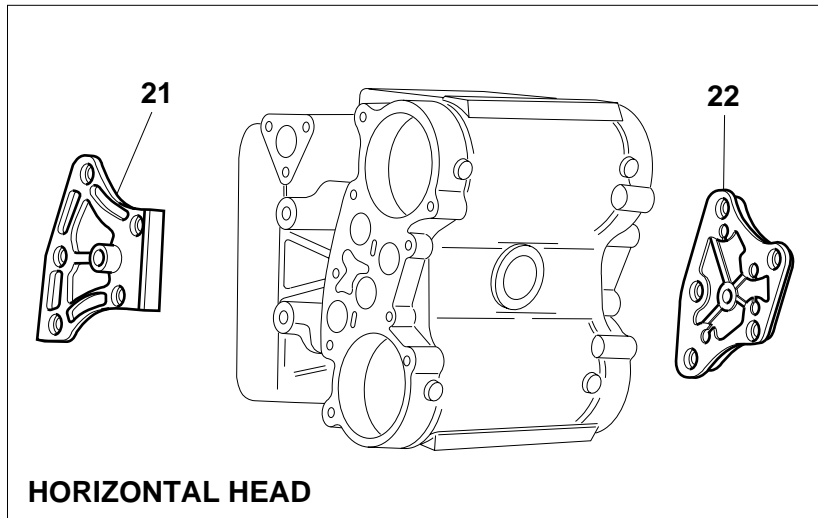


DRAWING **014** HEAD

NOTES	NO.	CODE NO.	DESCRIPTION	VALIDITY	Q.TY	
	1	72944.1542	Elastic-stop ring nut		4	
	2	0797.69.040	Washer		4	
	3	255.1.004.1A	Timing belt roller		4	
	4	856.1.002.1A	Belt roller separating washer		4	
	5	713.1.007.1A	Belt roller spacer		4	
	6	766.4.012.1A	Stud bolt		6	
	7	148.1.002.1A	Vertical exhaust camshaft		1	
	8	74172.1008	Woodruff key		1	
	9	148.1.001.1A	Vertical intake camshaft		1	
	10	70780.6516	Screw		6	
	11	247.1.020.1AA	Cover		2	
	12	93823.2087	O-ring		2	
	13	148.1.035.1A	Horizontal intake camshaft		1	
	14	148.1.004.1A	Horizontal exhaust camshaft		1	
	15	680.1.003.1H	Woodruff key		2	
	16	886.4.001.1A	O-Ring		4	
	17	60N107335	Screw		8	
	18	73503.3683	Circlip		4	
	19	873.1.004.1A	Cap		4	
	20	873.1.001.1A	Cap		4	
	21	235.2.018.1AB	Rear complete cap timing side		1	
	22	235.2.017.1AB	Front complete cap timing side		1	
	23	235.2.021.1AB	Rear complete cap timing side		1	
	24	235.2.020.1AB	Front complete cap timing side		1	
	25	0204.70.105	Seal ring		4	
	26	75120.1747	Bearing		4	

NOTES	NO.	CODE NO.	DESCRIPTION	VALIDITY	Q.TY	
	27	680.1.007.1A	Woodruff key 6°		1	

DRAWING **015** COLLECTORS AND HEAD COVERS




DRAWING **015** COLLECTORS AND HEAD COVERS

NOTES	NO.	CODE NO.	DESCRIPTION	VALIDITY	Q.TY	
	1	140.1.001.2A	Intake manifold		2	
	2	0000.44240	Nut		8	
	3	766.4.012.1A	Stud bolt		8	
	4	0250.70.223	Aluminium gasket		4	
	5	776.5.032.2A	Screw		4	
	6	788.1.002.2A	Intake duct gasket		2	
	7	741.4.022.1A	Clamp		2	
	8	886.4.001.1A	O-Ring		4	
	9	235.2.002.1AA	Complete cap tachometer side		4	
	10	73503.3380	Circlip		4	
	11	75794.1542	Bearing		4	
	12	93783.1730	Seal ring		4	
	13	60N107335	Screw		4	
	14	240.1.001.1AA	Intake valve cover		2	
	15	788.1.007.3A	Intake valves cover gasket		2	
	16	247.1.080.1A	Central cover		1	
	17	788.1.050.1A	Central cover gasket		4	
	18	788.1.053.1A	Exhaust valves cover gasket		2	
	19	240.1.014.1A	Exhaust valve cover (vertical)		1	
	20	240.1.015.1A	Exhaust valve cover (horizontal)		1	
	21	247.1.090.1AB	Central cover timing side		1	
	22	247.1.079.1A	Central cover		1	
	23	247.1.089.1AB	Central cover timing side		1	
	24	0675.49.540	Spacer		1	
	25	829.1.245.1A	Plate		1	
	26	60N102510	Screw		1	

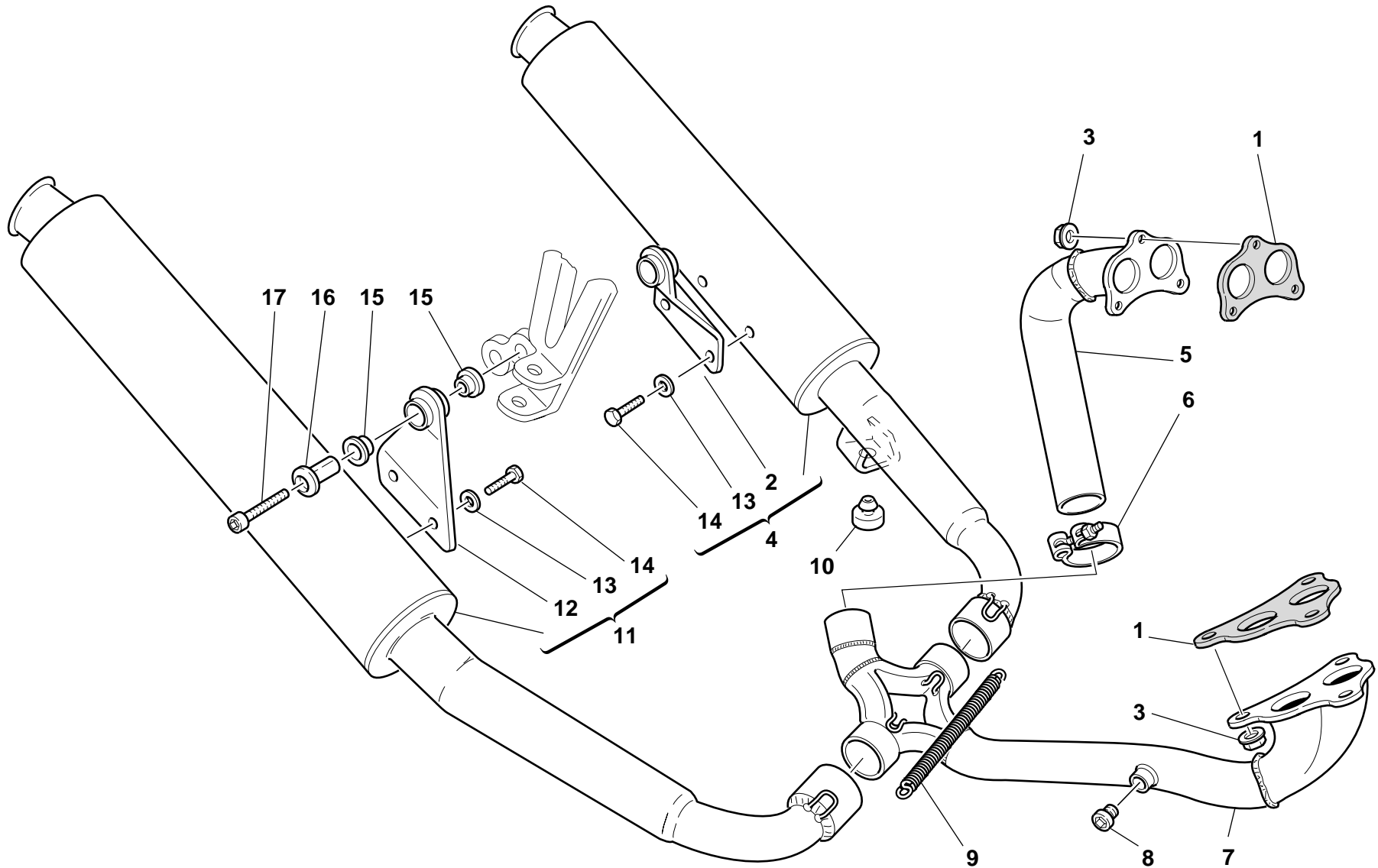
NOTES	NO.	CODE NO.	DESCRIPTION	VALIDITY	Q.TY	
-------	-----	----------	-------------	----------	------	---

DRAWING **016** THROTTLE BODY

NOTES	NO.	CODE NO.	DESCRIPTION	VALIDITY	Q.TY	
	1	282.4.019.1A	Throttle body		1	
	2	884.5.010.1A	Circlip		1	
	3	830.1.172.1A	Bracket		1	
	4	590.1.103.1A	Tube		1	
	5	741.4.040.1A	Clamp "M"		1	
	6	741.4.041.1A	Clamp "R"		1	
	7	590.1.124.1A	Tube		1	
	8	799.1.052.1A	Spring		4	
	9	470412	Screw		4	
	10	287.4.028.1A	Bypass adjusting screw		1	
	11	287.4.024.1B	Clamp		4	
	12	590.1.080.1A	Tube		1	
	13	830.1.121.1A	Connector holder		1	
	14	284.4.001.1B	Potentiometer PF09/04		1	
	15	287.4.029.1A	Repair kit		1	
	16	287.4.027.1A	Tie rod		1	
	17	280.4.005.1A	Injector		2	
	18	802.1.015.1A	Air funnel		2	
	19	791.1.017.1A	Gasket		2	
	20	886.5.004.1A	O-ring		2	

NOTES	NO.	CODE NO.	DESCRIPTION	VALIDITY	Q.TY	
-------	-----	----------	-------------	----------	------	---

DRAWING 017 EXHAUST SYSTEM



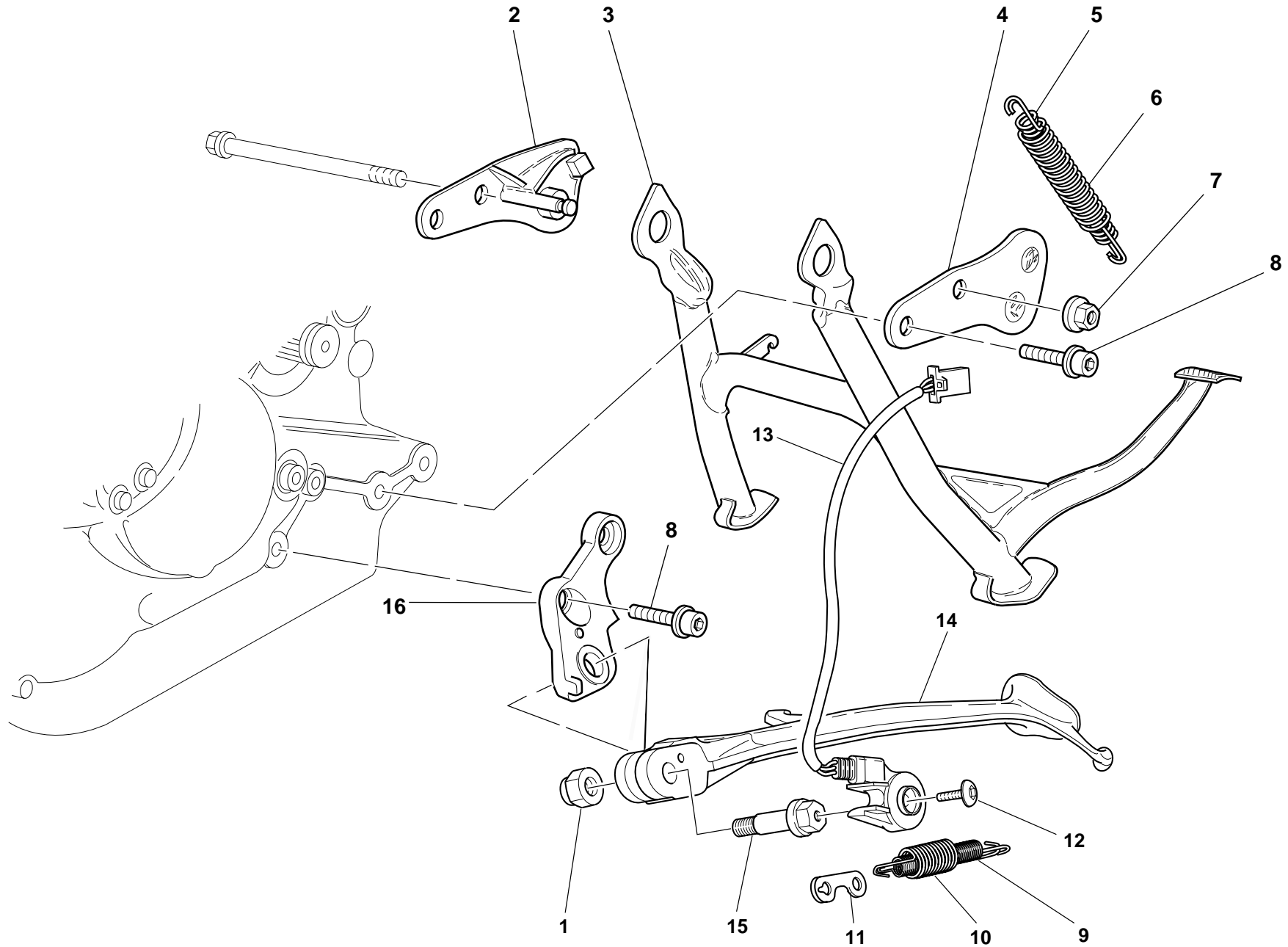
DRAWING **017** EXHAUST SYSTEM

NOTES	NO.	CODE NO.	DESCRIPTION	VALIDITY	Q.TY	
	1	790.1.001.1A	Exhaust gasket		2	
	2	576.1.029.1A	L.H. bracket		1	
	3	748.4.002.7A	Nut		6	
	4	574.1.045.1A	L.H. silencer		1	
	5	571.1.035.1A	Vertical head exhaust pipe		1	
	6	741.1.017.1A	Clamp		1	
	7	570.1.035.1A	Horizontal head exhaust pipe		1	
	8	780.1.007.1A	Cap		2	
	9	799.1.072.1A	Spring		1	
	10	0000.41039	Rubber pad		1	
	11	573.1.045.1A	R.H. silencer		1	
	12	576.1.028.1A	R.H. bracket		1	
	13	73270.8001	Washer		4	
	14	70914.2121	Screw		4	
	15	764.1.001.1A	Rubber pad		4	
	16	711.1.083.1A	Bush		2	
	17	779.5.012.1A	Screw		2	


NOTES	NO.	CODE NO.	DESCRIPTION	VALIDITY	Q.TY	
-------	-----	----------	-------------	----------	------	---

DRAWING 018

STANDS

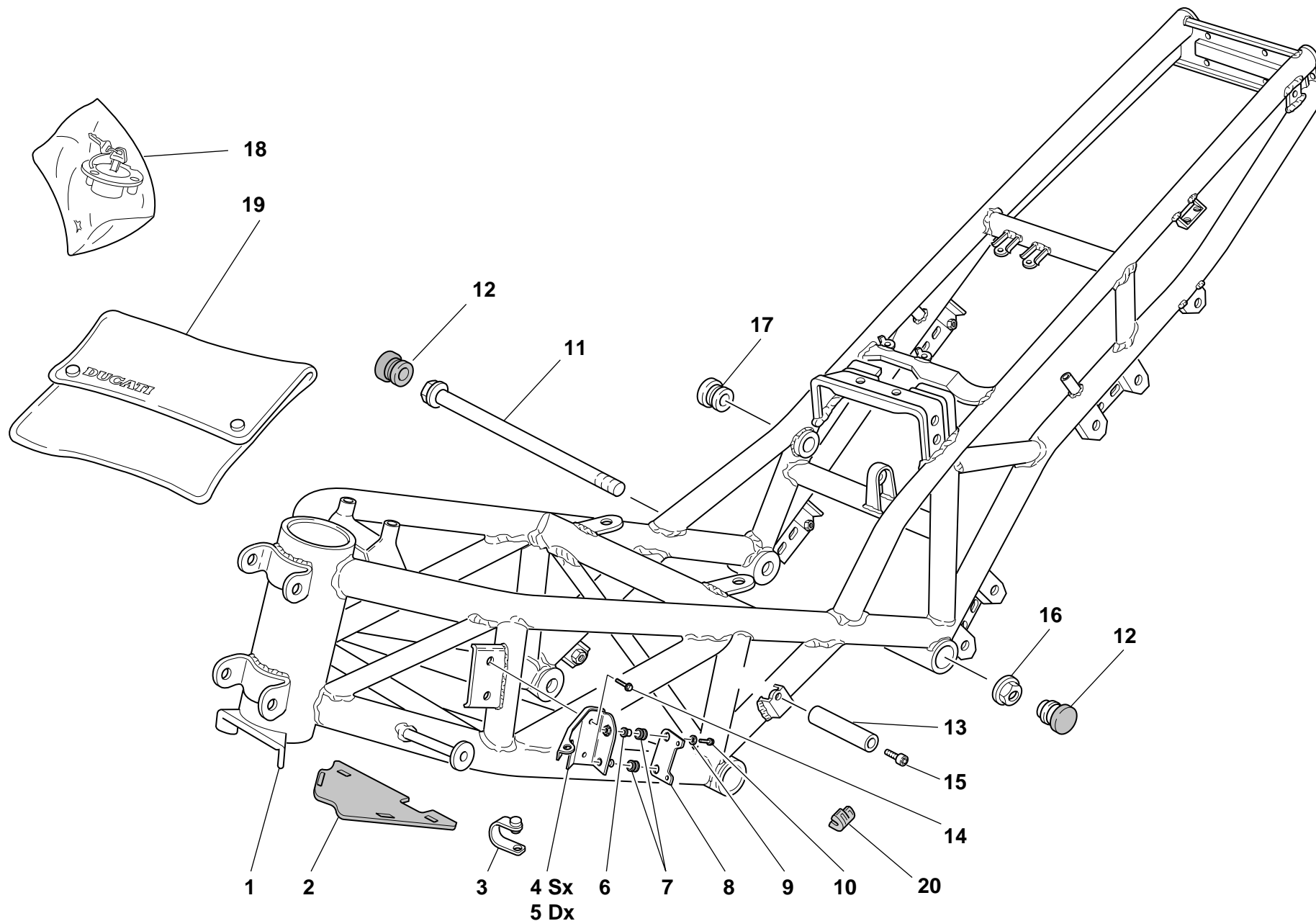


DRAWING **018** STANDS


NOTES	NO.	CODE NO.	DESCRIPTION	VALIDITY	Q.TY	
	1	749.4.045.2G	Nut		1	
	2	555.1.007.1A	R. H. Plate		1	
	3	555.1.005.1A	Central stand		1	
	4	555.1.006.1B	L. H. Plate		1	
	5	799.1.069.1A	Inner spring		1	
	6	799.1.070.1A	Outer spring		1	
	7	749.4.045.2G	Nut		1	
	8	771.5.754.2B	Screw		2	
	9	799.1.089.1A	Spring		1	
	10	799.1.088.1A	Outer spring		1	
	11	827.1.139.1B	Plate		1	
	12	779.4.005.1A	Screw		1	
	13	539.1.023.1A	Switch		1	
	14	556.1.017.1C	Side stand		1	
	15	556.1.018.1C	Pivot		1	
	16	556.2.020.1B	Plate		1	

NOTES	NO.	CODE NO.	DESCRIPTION	VALIDITY	Q.TY	
-------	-----	----------	-------------	----------	------	---

DRAWING 019 FRAME



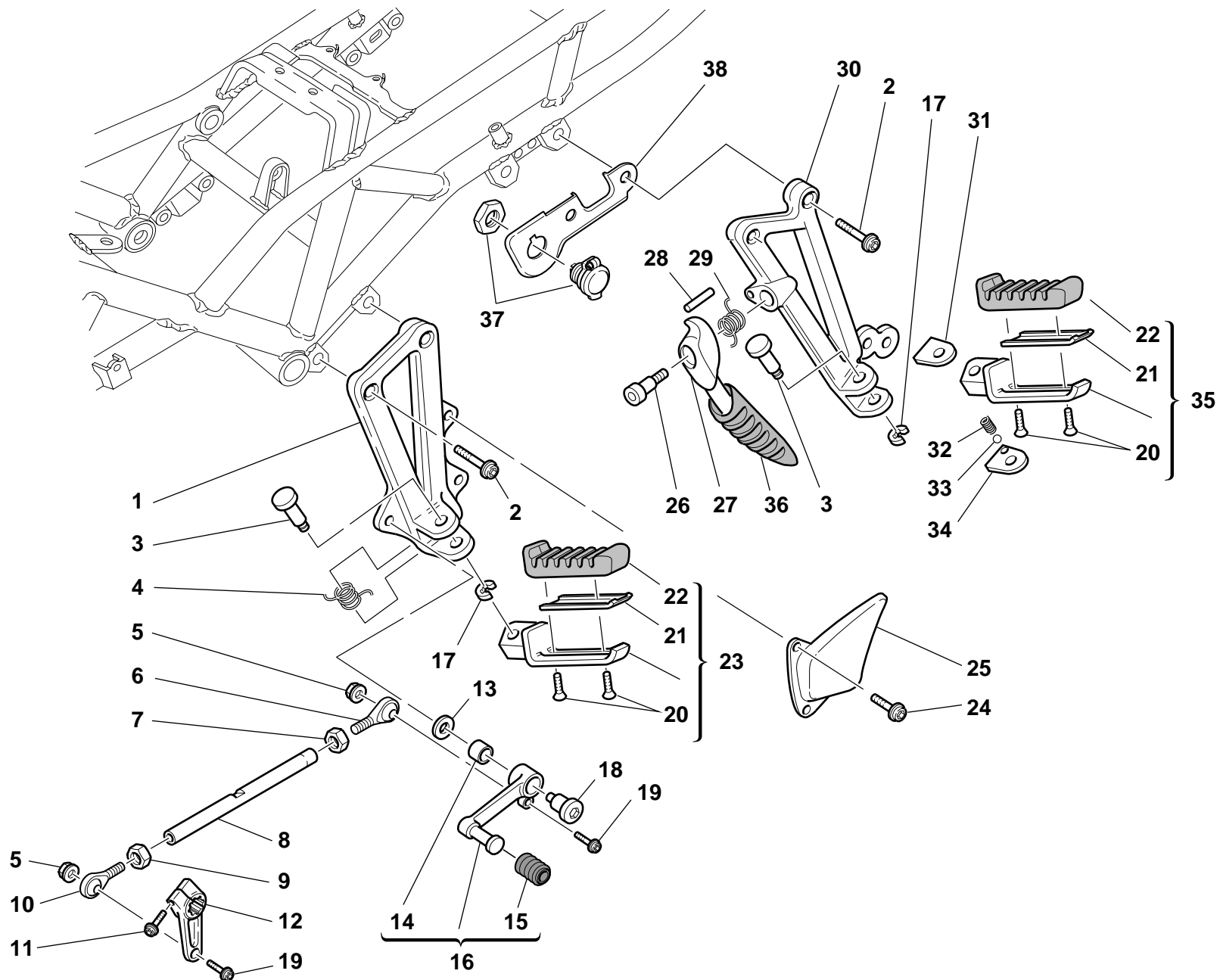
DRAWING **019** FRAME

NOTES	NO.	CODE NO.	DESCRIPTION	VALIDITY	Q.TY	
	1	470.1.039.1BA	Frame		1	
	2	460.1.088.1A	Mudflap		1	
	3	741.1.013.1A	Clamp		4	
	4	829.1.170.1AB	L.H. holder		1	
	5	829.1.169.1AB	R.H. holder		1	
	6	0000.44099	Spacer		2	
	7	0797.72.068	Vibration damper pad		4	
	8	830.1.040.1B	Holder		2	
	9	8000.56359	Washer		2	
	10	772.5.024.1A	Screw		2	
	11	779.1.213.1A	Screw		2	
	12	872.1.026.1A	Cap		2	
	13	827.1.121.1A	Stud bolt		2	
	14	772.5.025.1A	Screw		2	
	15	60N102511	Screw		2	
	16	748.4.002.1A	Nut		2	
	17	872.1.027.1A	Cap		1	
	18	598.2.017.2A	Locks kit		1	
	19	866.1.034.1A	Rubber pad		2	
	20	764.1.010.1A	Rubber pad		1	
	21	117.2.002.1A	Rod		1	

NOTES	NO.	CODE NO.	DESCRIPTION	VALIDITY	Q.TY	
-------	-----	----------	-------------	----------	------	---

DRAWING 020

L.H. FOOT RESTS




DRAWING

020

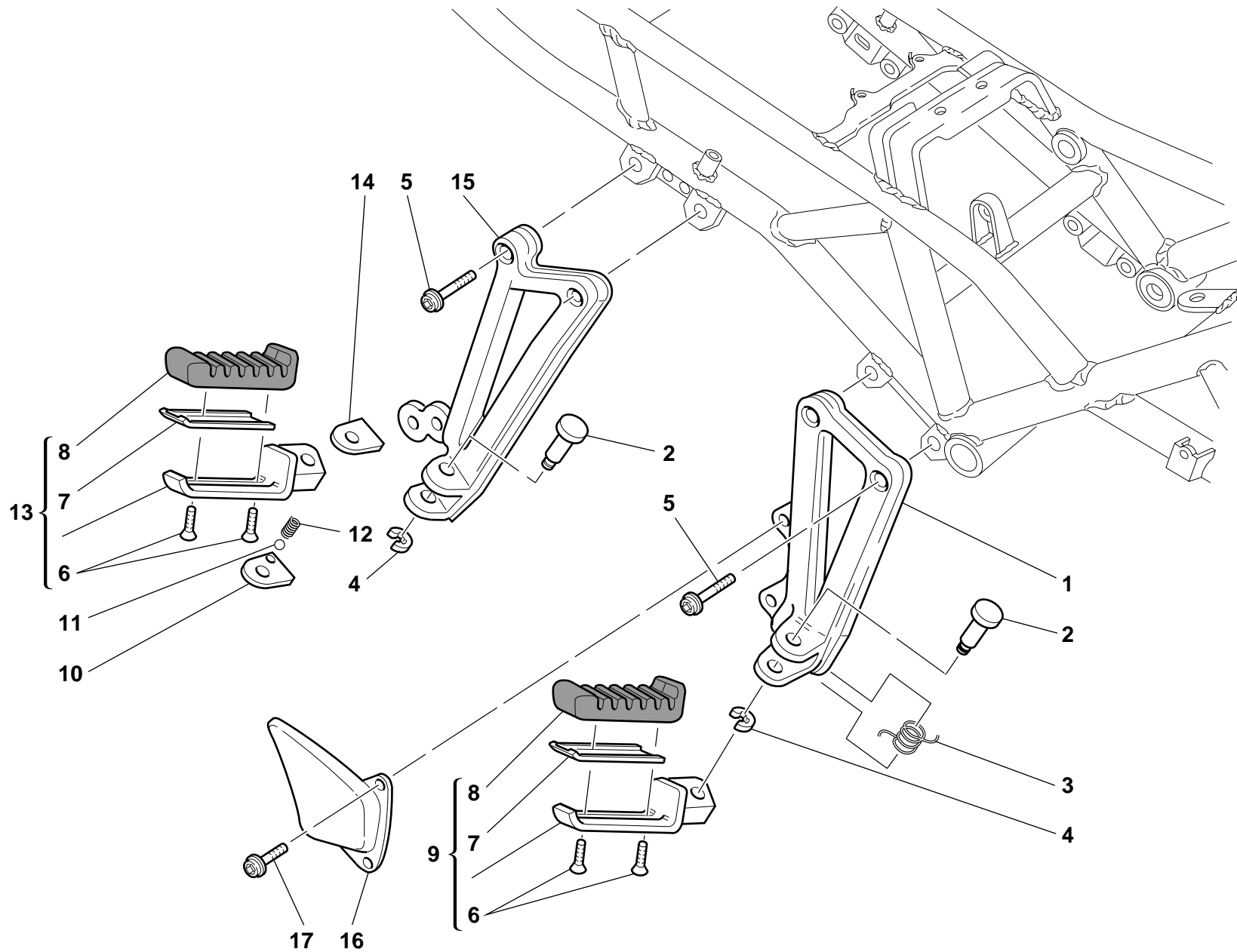
L.H. FOOT RESTS

NOTES	NO.	CODE NO.	DESCRIPTION	VALIDITY	Q.TY	
	1	824.1.039.1A	L.H. foot peg holder plate		1	
	2	771.5.725.2B	Screw		4	
	3	0370.69.920	Pin		2	
	4	0370.69.910	Spring		1	
	5	763106N01	El-stop nut		2	
	6	76401.0003	Ball joint		1	
	7	747.5.001.1A	L.H. nut		1	
	8	117.1.033.1A	Gearbox transmission rod		1	
	9	417.9.030.6A	Nut		1	
	10	76401.0002	Ball joint		1	
	11	779.5.011.1A	Screw		1	
	12	456.1.006.1A	Gearchange control lever		1	
	13	852.1.053.1A	Washer		1	
	14	8000.59056	Bush		1	
	15	765.1.001.1A	Rubber pad		1	
	16	456.2.009.1A	Gearchange lever		1	
	17	73500.0827	Circlip		2	
	18	80A0.53548	Pin		1	
	19	772.5.024.1A	Screw		2	
	20	777.5.002.1A	Screw		4	
	21	0370.69.930	Plate		2	
	22	0370.69.940	Foot peg rubber cover		2	
	23	0370.69.850	Front L.H. foot peg, complete		1	
	24	772.5.004.1A	Screw		2	
	25	460.1.062.1A	Protection		1	
	26	779.1.159.1A	Screw		1	

NOTES	NO.	CODE NO.	DESCRIPTION	VALIDITY	Q.TY	
	27	806.1.012.1A	Handle		1	
	28	861.5.003.1A	Spring pin		1	
	29	799.1.071.1A	Spring		1	
	30	824.1.041.1C	Rear L.H. foot peg holder plate		1	
	31	0370.69.970	Plate		1	
	32	799.1.024.1A	Spring		1	
	33	847.4.002.1A	Ball		1	
	34	827.1.045.1A	Keep plate		1	
	35	0370.69.860	Rear L.H. foot peg, complete		1	
	36	806.1.013.1A	Handgrip		1	
	37	386.4.013.1A	Power Point		1	
	38	827.1.192.1A	Plate		1	

CATALOGUE No:
ISSUED:915.1.063.1C
05 - 00CATALOGUE No:
ISSUED:915.1.063.1C
05 - 00

DRAWING 021 R.H. FOOT RESTS

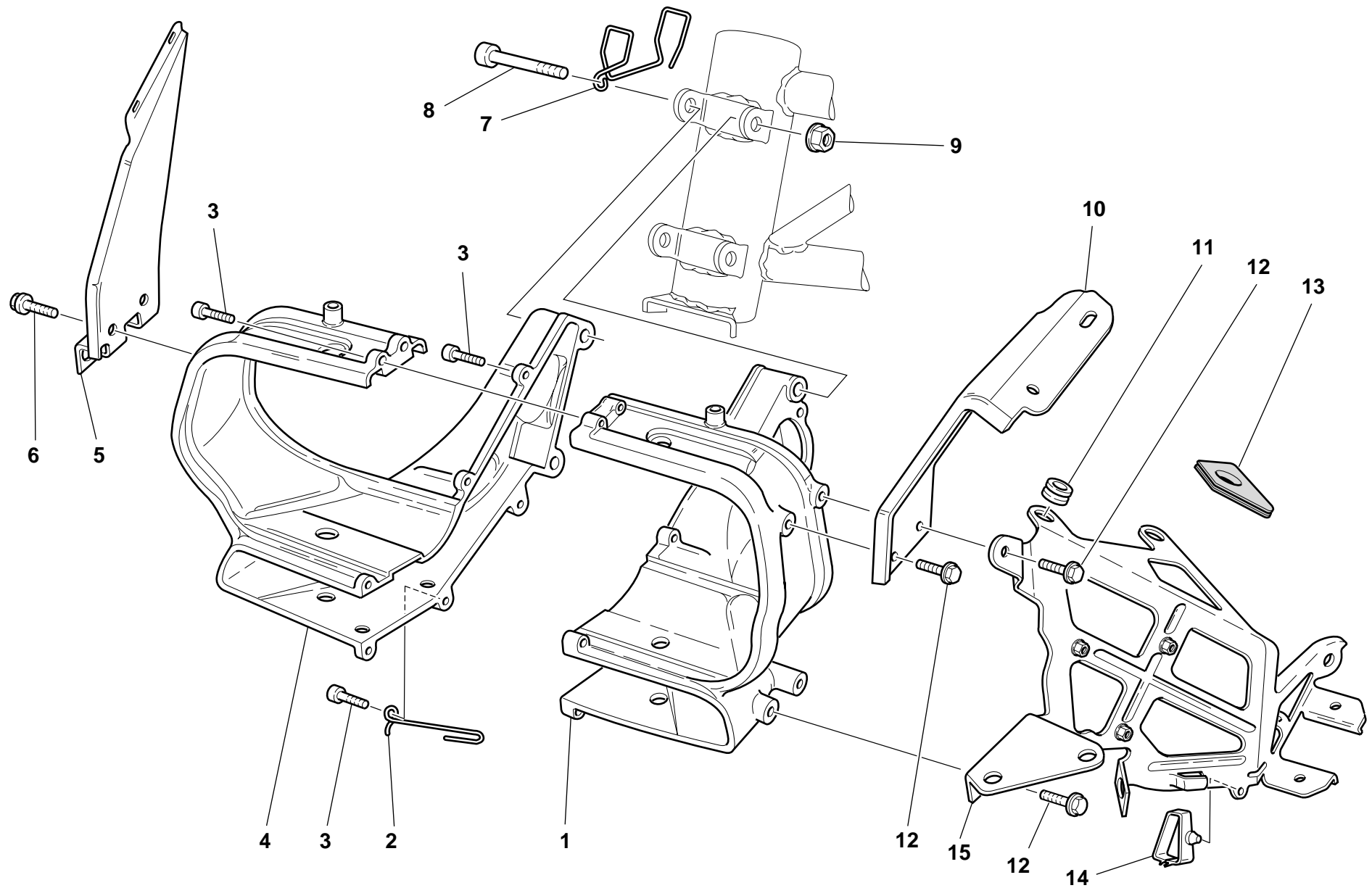


DRAWING **021** R.H. FOOT RESTS


NOTES	NO.	CODE NO.	DESCRIPTION	VALIDITY	Q.TY	
	1	824.1.040.1B	R.H. foot peg holder plate		1	
	2	0370.69.920	Pin		2	
	3	0370.69.910	Spring		1	
	4	73500.0827	Circlip		2	
	5	771.5.725.2B	Screw		4	
	6	777.5.002.1A	Screw		4	
	7	0370.69.930	Plate		2	
	8	0370.69.940	Foot peg rubber cover		2	
	9	0370.69.855	Front R.H. foot peg, complete		1	
	10	827.1.045.1A	Keep plate		1	
	11	847.4.002.1A	Ball		1	
	12	799.1.024.1A	Spring		1	
	13	0370.69.865	Rear R.H. foot peg, complete		1	
	14	0370.69.970	Plate		1	
	15	824.1.042.1C	Rear R.H. foot peg holder plate		1	
	16	460.1.063.1A	Protection		1	
	17	772.5.004.1A	Screw		2	

NOTES	NO.	CODE NO.	DESCRIPTION	VALIDITY	Q.TY	
-------	-----	----------	-------------	----------	------	---

DRAWING 022 HEADLIGHT HOLDER

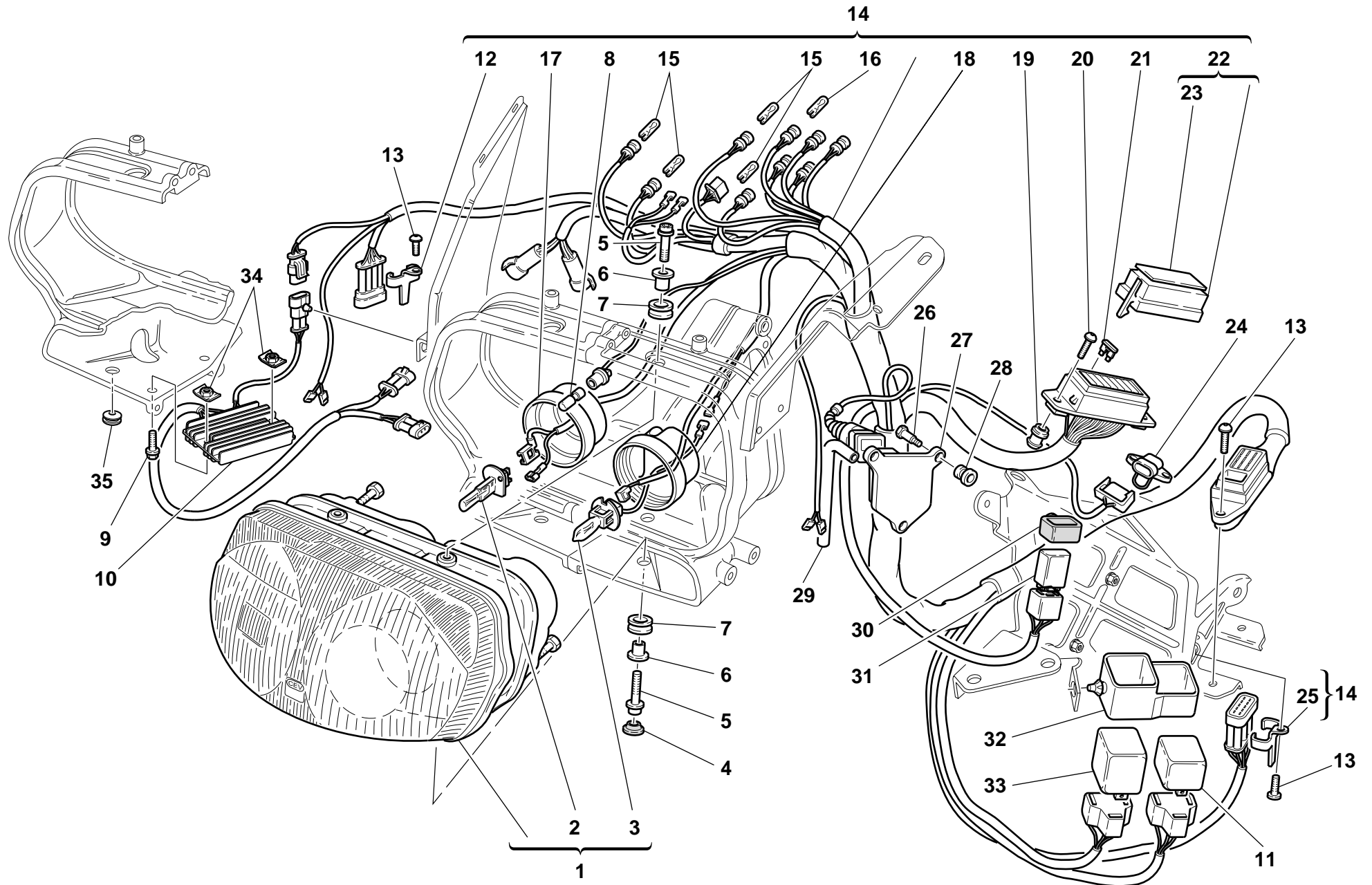


DRAWING **022** HEADLIGHT HOLDER

NOTES	NO.	CODE NO.	DESCRIPTION	VALIDITY	Q.TY	
	1	829.1.168.1AB	L.H. holder		1	
	2	881.1.027.2A	Fairlead		1	
	3	771.5.043.2B	Screw		8	
	4	829.1.167.2AB	R.H. holder		1	
	5	829.1.174.1AB	R.H. mirror holder		1	
	6	772.5.023.1A	Screw		2	
	7	758.1.019.1A	Fairlead		1	
	8	771.5.141.2B	Screw		2	
	9	729908FN1	Nut		2	
	10	829.1.175.2AB	L.H. mirror holder		1	
	11	0797.72.068	Vibration damper pad		2	
	12	772.5.024.1A	Screw		4	
	13	829.1.204.1A	Holder		1	
	14	0000.60283	Clamp		1	
	15	829.1.179.1AB	Holder		1	


NOTES	NO.	CODE NO.	DESCRIPTION	VALIDITY	Q.TY	
-------	-----	----------	-------------	----------	------	---

DRAWING **023** HEAD-LIGHT AND ELECTRIC WIRING

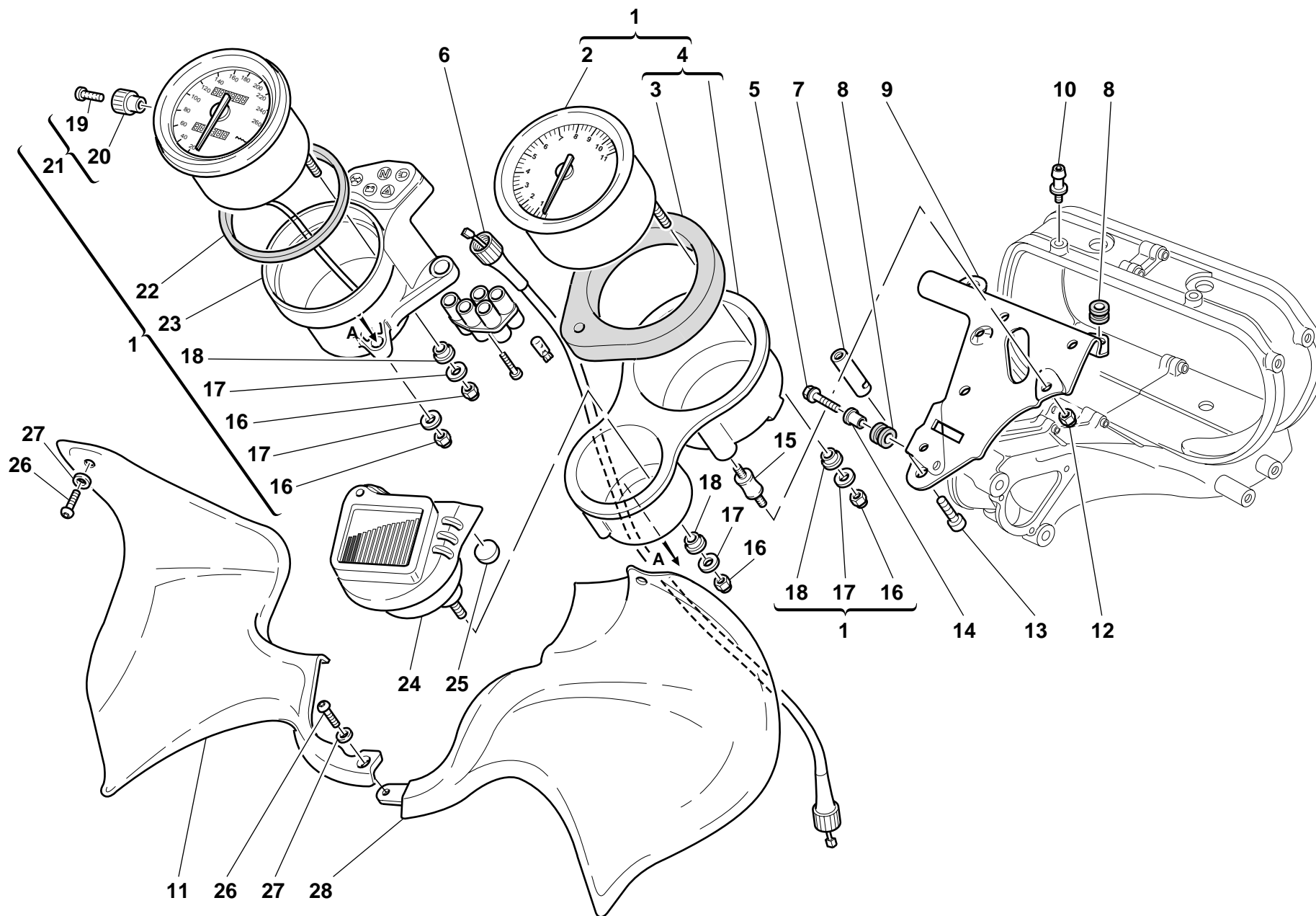


DRAWING **023****HEAD-LIGHT AND ELECTRIC WIRING**

NOTES	NO.	CODE NO.	DESCRIPTION	VALIDITY	Q.TY	
	1	520.4.011.2B	Complete headlight		1	
	2	0000.79672	Bulb		1	
	3	0000.79673	Bulb		1	
	4	764.4.003.1A	Fairlead		2	
	5	772.5.024.1A	Screw		4	
	6	716.1.022.1A	Spacer		4	
	7	8000.18048	Rubber pad		4	
	8	0000.36230	Bulb		1	
	9	0000.62729	Screw		2	
	10	540.4.011.1C	Regulator		1	
	11	287.4.014.1A	Relay		1	
	12	827.1.089.1A	R.H. plate		1	
	13	8000.59572	Screw		4	
	14	510.1.147.1A	Wiring		1	
	15	390.4.008.1A	Warning lamp bulb 12V-3W		4	
	16	390.4.007.1A	Warning lamp bulb12V-1.2W		5	
	17	672.1.022.1A	Headlight cover		1	
	18	672.1.019.1A	Headlight cover		1	
	19	821.1.054.1A	Pin		2	
	20	779.1.088.1A	Screw		2	
	21	389.4.006.1A	Fuse 3A		2	
	21	389.4.007.1A	Fuse 7.5A		3	
	21	389.4.008.1A	Fuse 15A		2	
	21	389.4.010.1A	Fuse 30A		1	
	21	389.4.014.1A	Fuse 40A		1	
	22	246.1.009.1B	Cover		1	


NOTES	NO.	CODE NO.	DESCRIPTION	VALIDITY	Q.TY	
	23	433.1.238.1A	Sticker "schema fusibili"		1	
	24	552.4.012.1A	Air temperature sensor		1	
	25	827.1.090.1A	L.H. plate		1	
	26	779.1.157.1A	Special screw		3	
	27	552.4.002.1A	Pressure sensor		1	
	28	764.1.016.1A	Vibration damper pad		3	
	29	877.1.040.1A	Tube		1	
	30	829.1.190.1A	Rubber holder		1	
	31	541.4.003.1A	Relay		1	
	32	829.1.183.1A	Holder		1	
	33	538.4.005.1A	Flashing device		1	
	34	827.1.166.1A	Plate		2	

DRAWING 024 INSTRUMENT PANEL



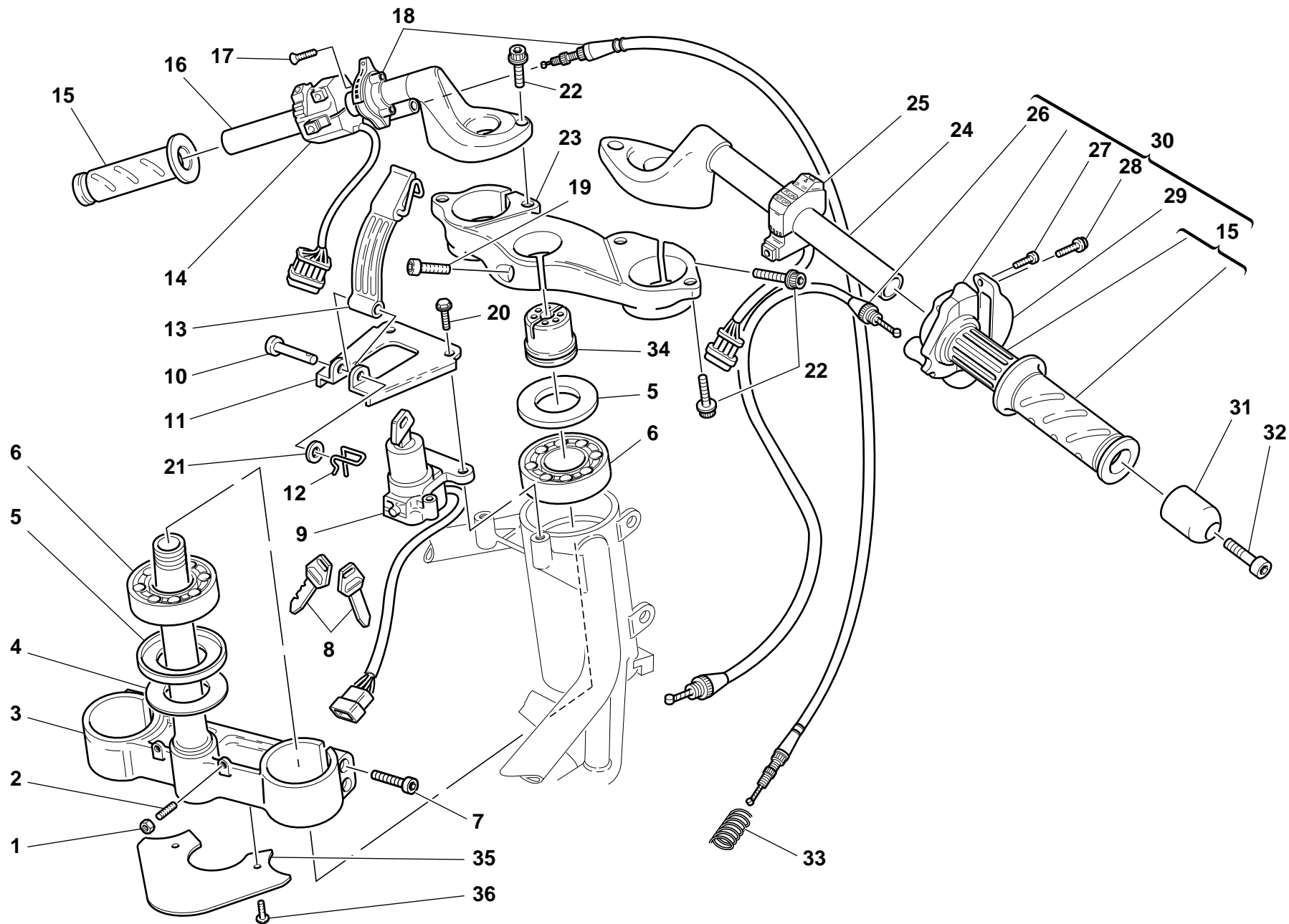
DRAWING **024** INSTRUMENT PANEL

NOTES	NO.	CODE NO.	DESCRIPTION	VALIDITY	Q.TY	
	1	400.2.019.1A	Complete instrument panel (speedometer - miles)		1	
	2	402.4.012.1A	Tachometer		1	
	3	408.1.011.1A	Vibration damper sponge		1	
	4	407.4.002.1A	Tachometer holder		1	
	5	60N102488	Screw		1	
	6	403.1.009.1A	Speedometer transmission		1	
	7	684.1.022.1B	Stud bolt		1	
	8	8000.18048	Rubber pad		3	
	9	829.1.177.1A	Plate		1	
	10	821.1.075.1A	Pin		2	
	11	460.1.074.1A	L.H. side panel		1	
	12	8000.42278	Nut		3	
	13	70620.5212	Screw		1	
	14	716.1.022.1A	Spacer		1	
	15	8000.56752	Rubber pad		3	
	16	8000.56748	Nut		7	
	17	8000.56747	Washer		7	
	18	408.1.010.1A	Rubber pad		5	
	19	776.4.002.1A	Screw		1	
	20	8000.56742	Grip		1	
	21	401.4.029.1A	Speedometer		1	
	22	8000.56741	Gasket		1	
	23	407.4.001.1B	Speedometer holder		1	
	24	404.1.005.1A	Module LCD (°F)		1	
	25	764.5.018.1A	Rubber pad		3	
	26	779.1.116.1A	Screw		3	

NOTES	NO.	CODE NO.	DESCRIPTION	VALIDITY	Q.TY	
	27	852.1.024.1A	Nylon washer		3	
	28	460.1.073.1A	R.H. side panel		1	

DRAWING 025

HANDLEBAR AND CONTROLS




DRAWING

025

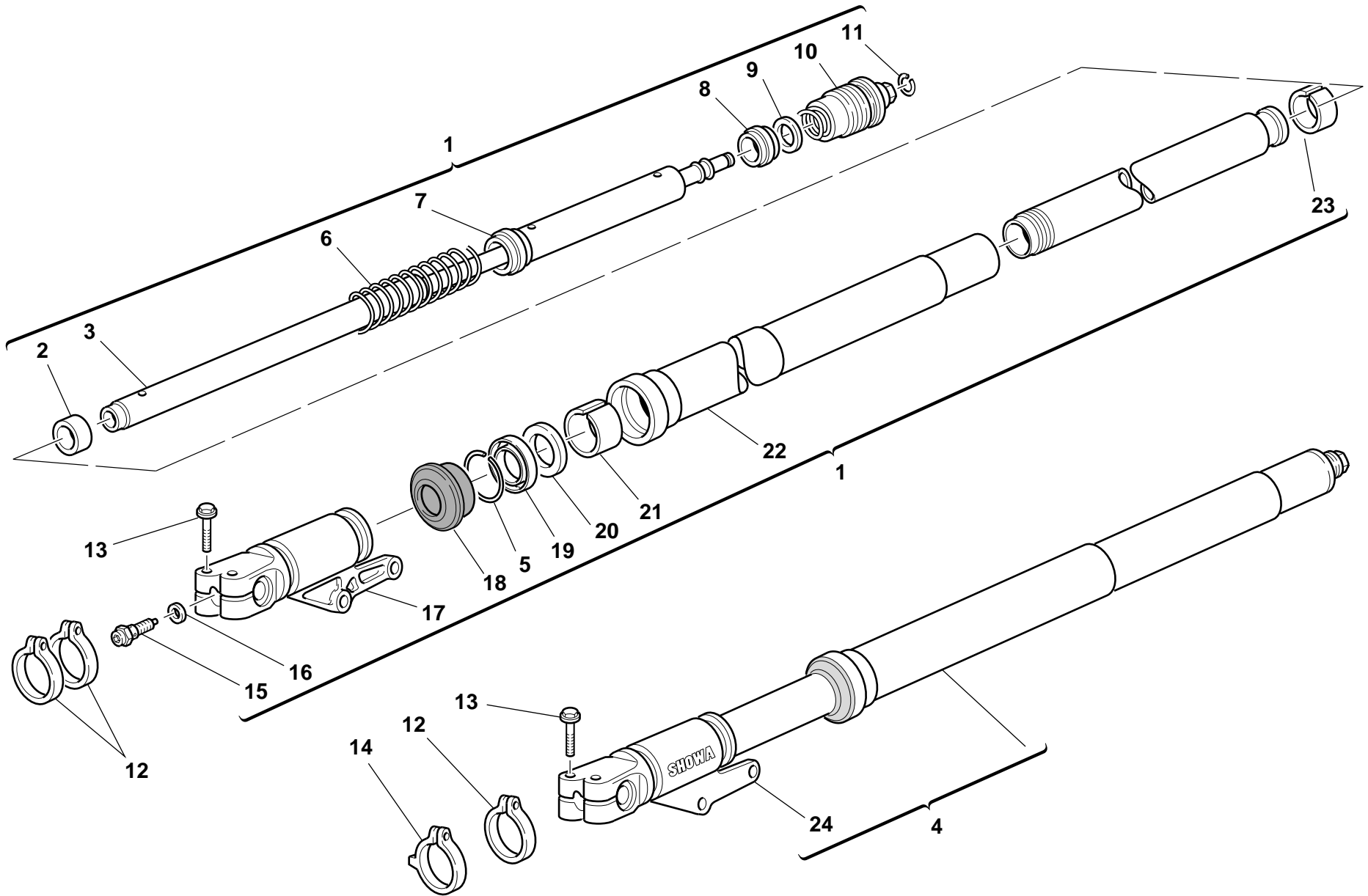
HANDLEBAR AND CONTROLS

NOTES	NO.	CODE NO.	DESCRIPTION	VALIDITY	Q.TY	
	1	417.9.030.8A	Nut		2	
	2	779.1.099.1A	Special screw		2	
	3	342.2.015.1B	Steering head base		1	
	4	852.1.103.1A	Washer		1	
	5	930.1.004.1A	Seal ring		2	
	6	702.4.004.1A	Bearing		2	
	7	60N102557	Screw		4	
	8	598.4.011.1A	Wrench		1	
	9	652.4.004.2A	Key-operated switch		1	
	10	821.1.073.1A	Pin		1	
	11	827.1.122.1A	Plate		1	
	12	0000.62705	Split pin		1	
	13	8000.70178	Belt		1	
	14	651.4.008.1A	L.H. switch		1	
	15	656.2.012.1A	Grips pair		1	
	16	360.1.015.1B	L.H. handlebar		1	
	17	777.5.210.2A	Screw		2	
	18	655.2.001.1A	Starter control		1	
	19	779.5.012.1A	Screw		1	
	20	772.5.024.1A	Screw		2	
	21	60N115503	Washer		1	
	22	771.5.725.2B	Screw		6	
	23	341.1.028.1A	Steering head		1	
	24	360.1.014.1B	R.H. handlebar		1	
	25	650.4.006.1B	R.H. switch		1	
	26	656.1.024.1A	Throttle control transmission		1	

NOTES	NO.	CODE NO.	DESCRIPTION	VALIDITY	Q.TY	
	27	8000.66774	Screw		2	
	28	772.5.023.1A	Screw		2	
	29	658.4.002.1B	Cover		1	
	30	654.2.003.1A	Throttle control		1	
	31	153.1.005.1A	Counterweight		2	
	32	779.5.012.1A	Screw		2	
	33	799.1.058.1A	Starter control transmission return spring		1	
	34	703.1.013.1A	Ring nut		1	
	35	460.1.076.1A	Mudflap		1	
	36	772.5.004.1A	Screw		2	

CATALOGUE No:
ISSUED:915.1.063.1C
05 - 00CATALOGUE No:
ISSUED:915.1.063.1C
05 - 00

DRAWING 026 FRONT FORK

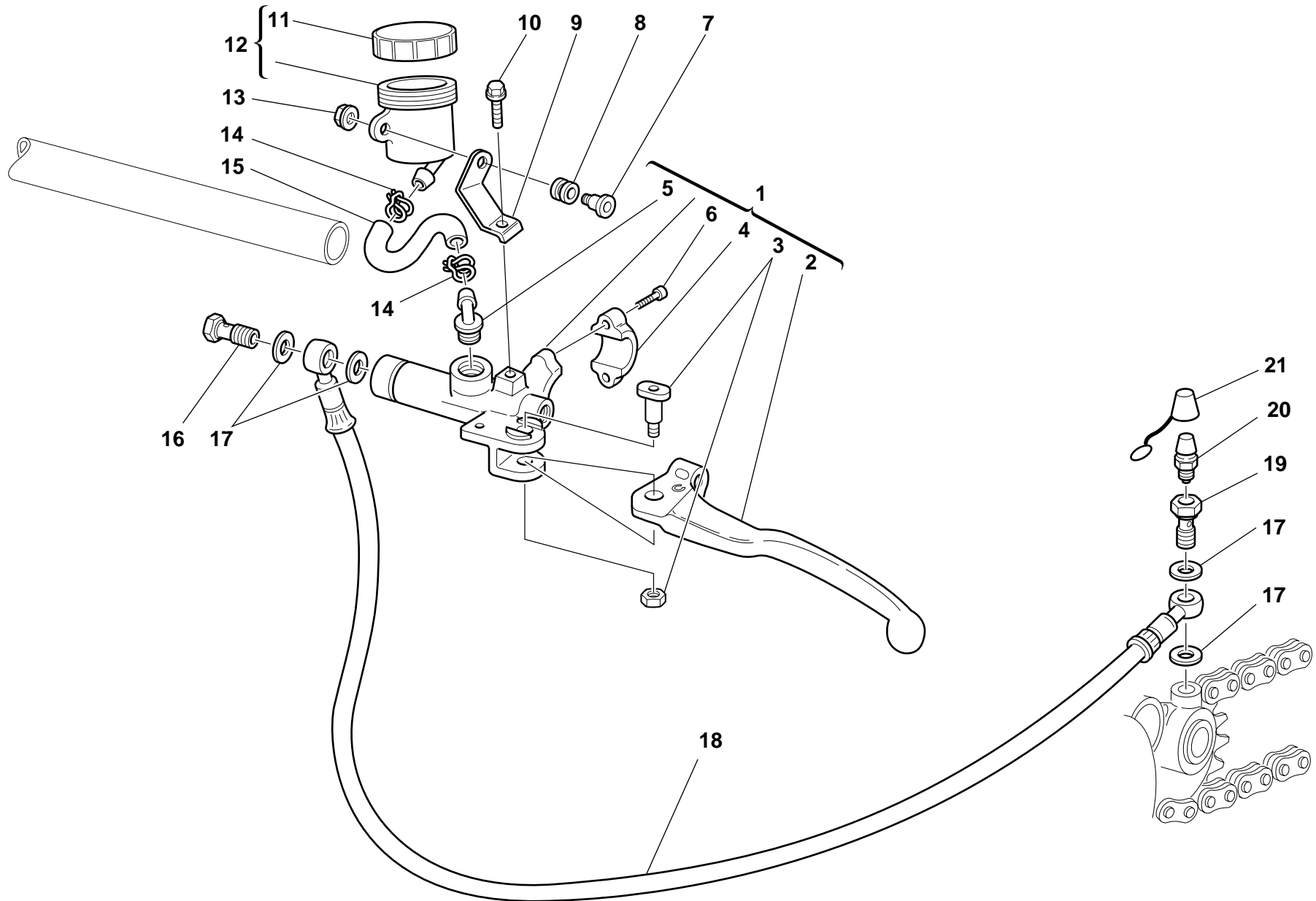


DRAWING **026** FRONT FORK


NOTES	NO.	CODE NO.	DESCRIPTION	VALIDITY	Q.TY	
	1	340.2.069.1B	R.H. fork leg assembly		1	
	2	349.1.095.1A	Centering ring		2	
	3	349.1.112.1A	Spring coupling		2	
	4	340.2.070.1B	L.H. fork leg assembly		1	
	5	884.1.005.1A	Ring		2	
	6	347.1.014.1A	Spring		2	
	7	349.1.097.1A	Spring coupling		2	
	8	349.1.064.1A	Slider		2	
	9	349.1.065.1A	Rubber cush drive hub		2	
	10	349.2.014.1A	Complete cap		2	
	11	349.1.098.1A	Snap ring		2	
	12	8000.70127	Clamp		3	
	13	8A00.69056	Screw		4	
	14	8000.70133	Clamp		1	
	15	349.2.010.1A	Adjusting screw		2	
	16	349.1.096.1A	Special washer		2	
	17	349.1.109.1A	Complete R.H. slider		1	
	18	349.1.101.1A	Dust seal		2	
	19	930.1.005.1A	Seal ring		2	
	20	349.1.102.1A	Check ring		2	
	21	349.1.103.1A	Bush		2	
	22	349.1.111.1A	Stanchion tube		2	
	23	349.1.120.1A	Bush		2	
	24	349.1.110.1A	Complete L.H. slider		1	

NOTES	NO.	CODE NO.	DESCRIPTION	VALIDITY	Q.TY	
-------	-----	----------	-------------	----------	------	---

DRAWING 027 CLUTCH CONTROL



DRAWING **027** CLUTCH CONTROL

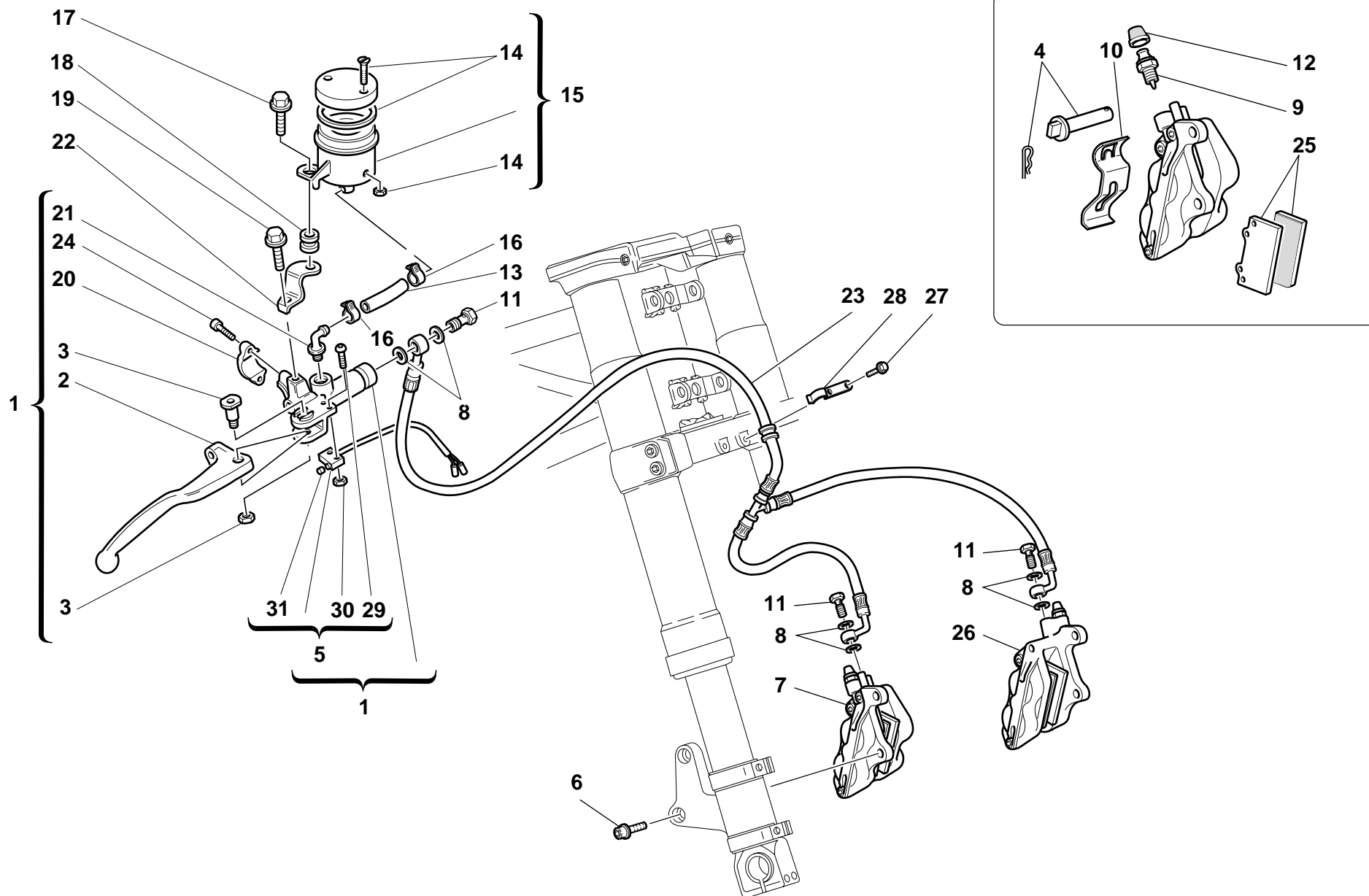
NOTES	NO.	CODE NO.	DESCRIPTION	VALIDITY	Q.TY	
	1	630.4.006.1A	Clutch drive pump		1	
	2	626.1.003.1A	Lever with dowel		1	
	3	0000.46664	Spare lever pin		1	
	4	626.4.010.1A	Spare bracket		1	
	5	631.4.008.1A	Spare union		1	
	6	771.5.667.2B	Screw		2	
	7	779.1.092.1A	Screw		1	
	8	0370.72.020	Vibration damper pad		1	
	9	829.1.241.1A	Plate		1	
	10	70700.6N02	Screw		1	
	11	893.4.005.1A	Cap		1	
	12	0000.61078	Complete oil tank		1	
	13	8000.56443	Nut		1	
	14	741.4.043.1A	Clamp		2	
	15	877.1.069.1A	Tube		1	
	16	779.1.058.2A	Special screw		1	
	17	420.2.001.0A	Gasket th.1		4	
	18	632.1.013.2B	Clutch control pipe		1	
	19	779.1.082.2A	Filler		1	
	20	0000.33552	Bleed		1	
	21	612.4.005.1A	Dust seal		1	

NOTES	NO.	CODE NO.	DESCRIPTION	VALIDITY	Q.TY	
-------	-----	----------	-------------	----------	------	---

DRAWING


028

FRONT HYDRAULIC BRAKE



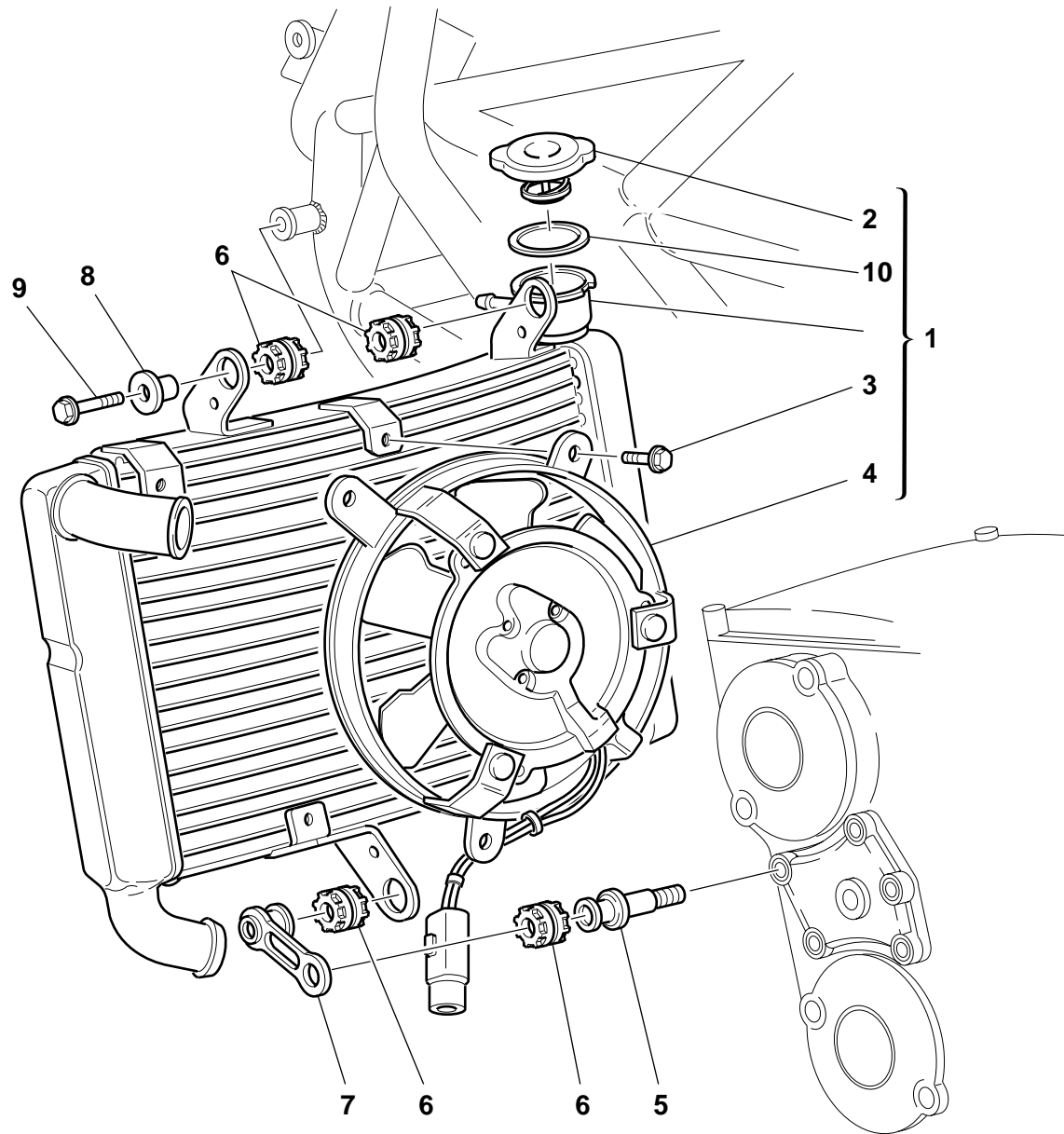
DRAWING **028** FRONT HYDRAULIC BRAKE

NOTES	NO.	CODE NO.	DESCRIPTION	VALIDITY	Q.TY	
	1	624.4.012.1B	Front brake pump		1	
	2	626.1.003.1A	Lever with dowel		1	
	3	0000.46664	Spare lever pin		1	
	4	612.4.014.1A	Spare pins and spring		2	
	5	539.4.004.1B	Microswitch		1	
	6	8A00.69056	Screw		4	
	7	610.4.012.2C	R.H. brake caliper		1	
	8	420.2.001.0A	Gasket th.1		6	
	9	631.4.004.1A	Spare bleed union		2	
	10	612.4.017.1A	Spring		2	
	11	779.1.058.2A	Special screw		3	
	12	612.4.008.1A	Dust seal		2	
	13	877.1.068.1A	Tube		1	
	14	8000.68490	Spare cap		1	
	15	0000.66181	Complete oil tank		1	
	16	741.4.043.1A	Clamp		2	
	17	779.1.092.1A	Screw		1	
	18	0370.72.020	Vibration damper pad		1	
	19	70700.6N02	Screw		1	
	20	626.4.010.1A	Spare bracket		1	
	21	631.4.008.1A	Spare union		1	
	22	829.1.240.1A	Bracket		1	
	23	618.4.032.2D	Caliper pump pipe		1	
	24	771.5.667.2B	Screw		2	
	25	613.4.021.1B	Pads pair		2	
	26	610.4.011.2C	L.H. brake caliper		1	


NOTES	NO.	CODE NO.	DESCRIPTION	VALIDITY	Q.TY	
	27	772.5.025.1A	Screw		2	
	28	829.1.208.1A	Holder		1	
	29	776.5.307.2A	Screw		2	
	30	72465.0214	Nut		2	
	31	195.4.002.1A	Rubber pad		1	

DRAWING 029

WATER RADIATOR ASSY

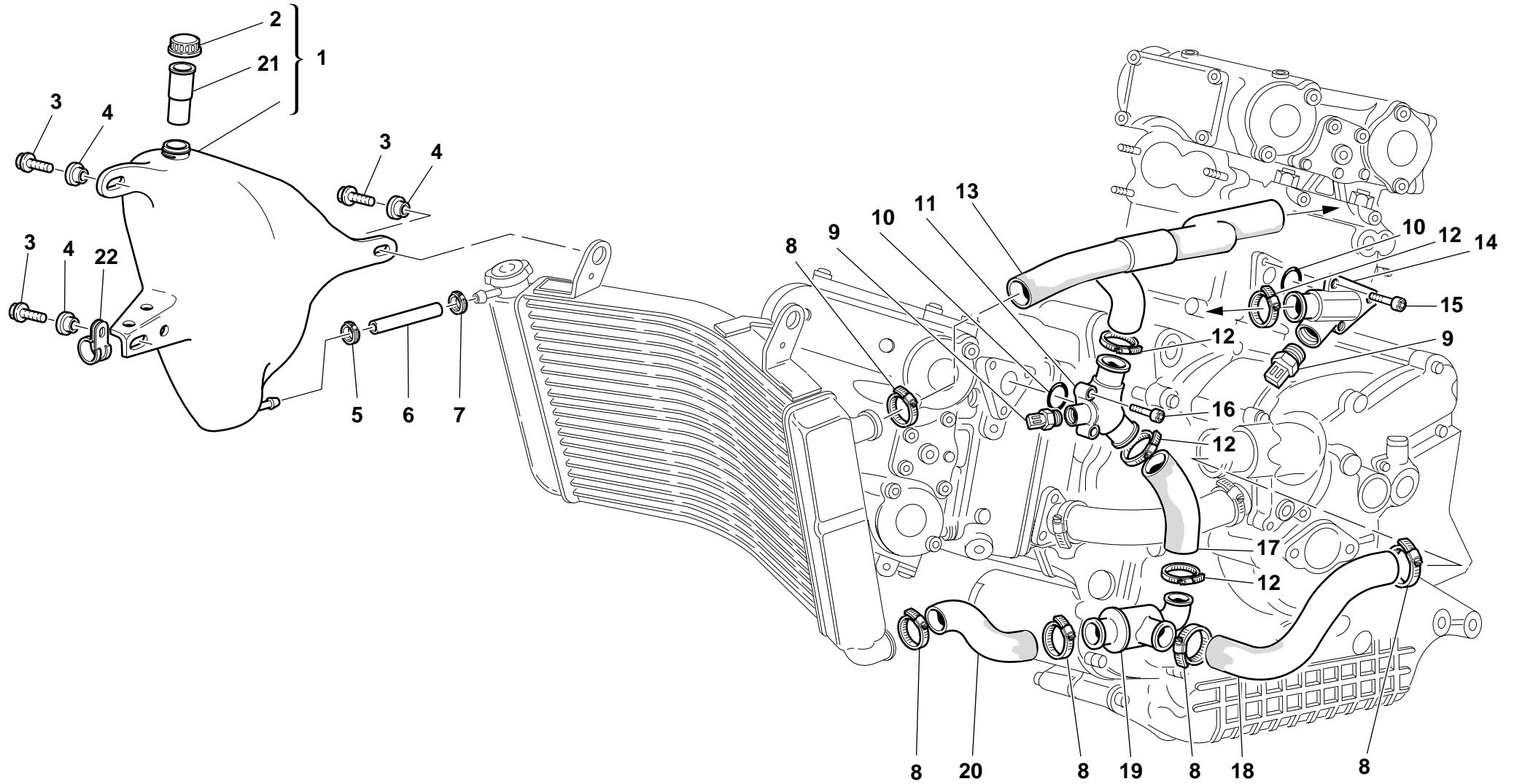


DRAWING **029** WATER RADIATOR ASSY


NOTES	NO.	CODE NO.	DESCRIPTION	VALIDITY	Q.TY	
	1	548.4.019.1A	Water radiator		1	
	2	893.1.003.1A	Radiator cap		1	
	3	772.5.025.1A	Screw		3	
	4	550.4.008.1A	Electric fan		1	
	5	779.1.059.1A	Special screw		1	
	6	0000.62651	Vibration damper pad		4	
	7	827.2.003.1A	Bracket		1	
	8	0000.62652	Spacer		1	
	9	772.5.023.1A	Screw		1	
	10	0272.91.090	Gasket		1	

NOTES	NO.	CODE NO.	DESCRIPTION	VALIDITY	Q.TY	
-------	-----	----------	-------------	----------	------	---

DRAWING 030 COOLING CIRCUIT



DRAWING **030** COOLING CIRCUIT

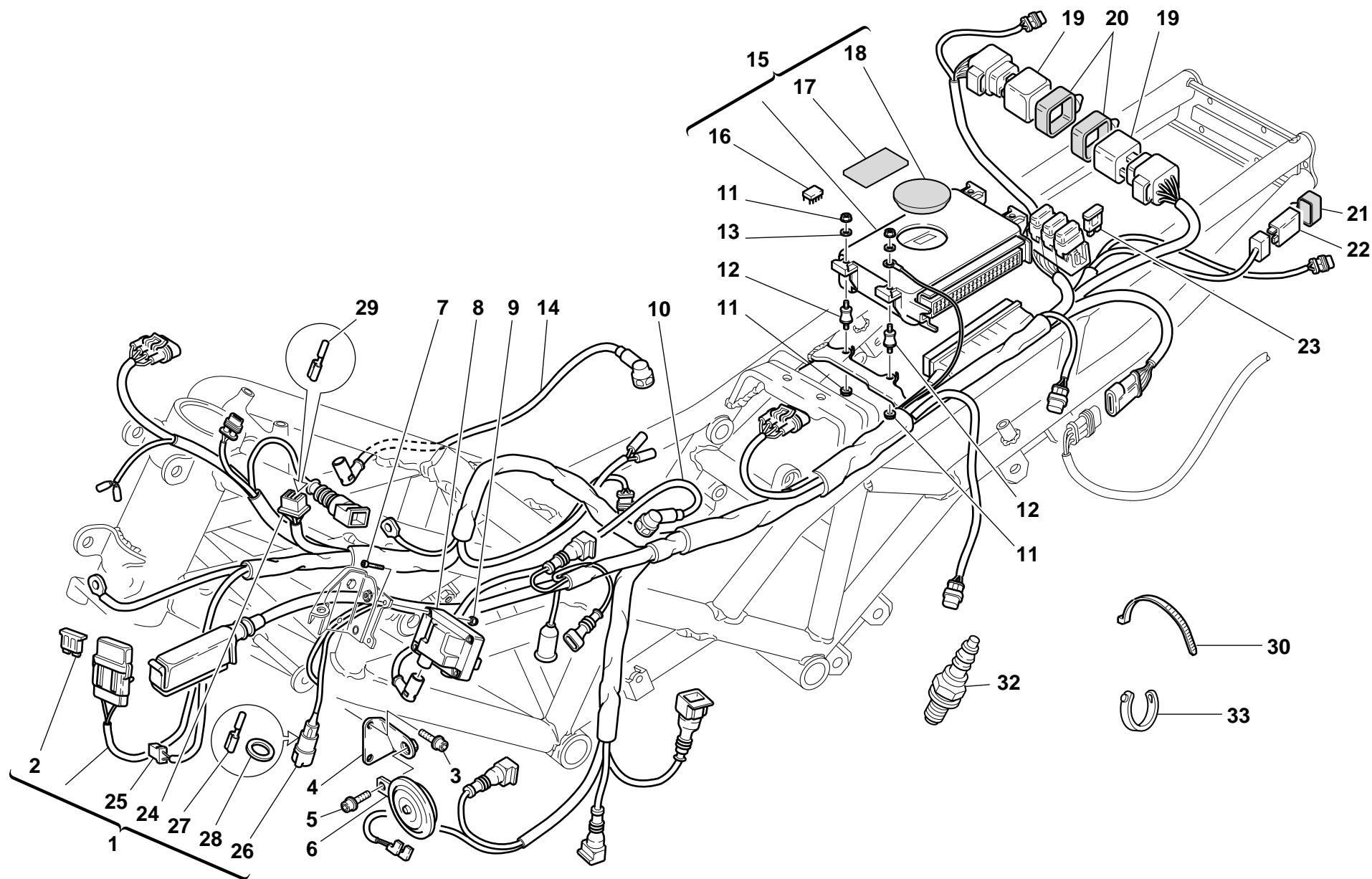
NOTES	NO.	CODE NO.	DESCRIPTION	VALIDITY	Q.TY	
	1	585.1.020.1A	Water tank		1	
	2	0000.40427	Tank cap		1	
	3	772.5.023.1A	Screw		4	
	4	716.1.038.1A	Spacer		4	
	5	8A00.67610	Clamp		1	
	6	800.1.049.1A	Hose		1	
	7	741.4.001.1A	Clamp		1	
	8	741.4.025.1A	Clamp		5	
	9	552.4.013.1A	Water temperature sensor		2	
	10	93823.2087	O-ring		2	
	11	814.1.063.1AB	Water outlet union		1	
	12	741.4.002.1A	Clamp		4	
	13	800.1.048.1A	Radiator/head hose		1	
	14	814.1.053.1AB	Water outlet union		1	
	15	60N102511	Screw		3	
	16	771.5.072.2B	Screw		3	
	17	800.1.033.1A	Thermostat/pump hose		1	
	18	800.1.053.1A	Thermostat/pump hose		1	
	19	553.4.003.1A	Thermostat		1	
	20	800.1.054.1A	Cooler/thermostat hose		1	
	21	711.1.084.1A	Bush		1	
	22	741.4.055.1A	Clamp		1	

NOTES	NO.	CODE NO.	DESCRIPTION	VALIDITY	Q.TY	
-------	-----	----------	-------------	----------	------	---

DRAWING


031

ELECTRIC SYSTEM

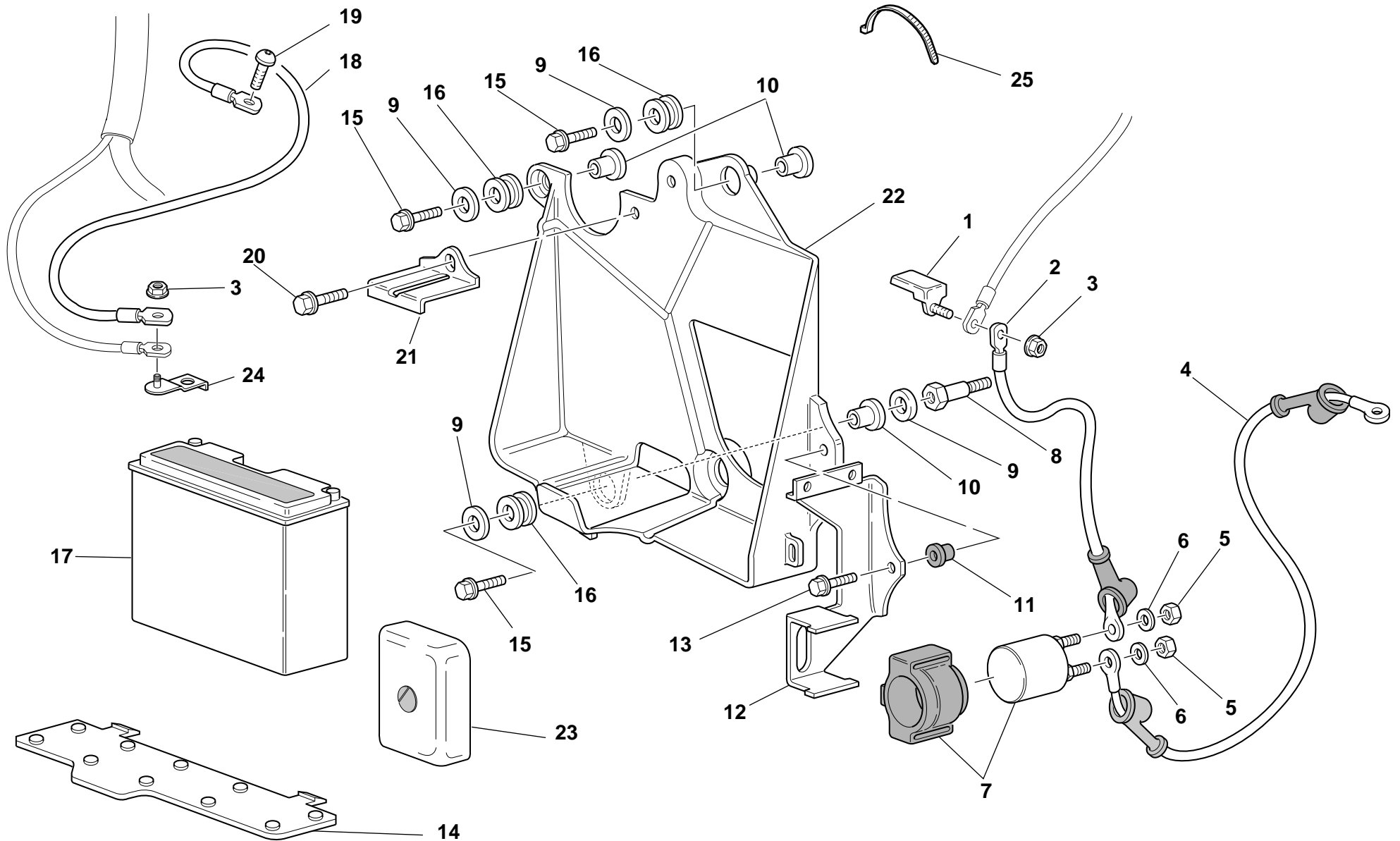


DRAWING **031** ELECTRIC SYSTEM

NOTES	NO.	CODE NO.	DESCRIPTION	VALIDITY	Q.TY	
	1	510.1.142.1B	Electric wiring		1	
	2	389.4.005.1A	Fuse 30A		1	
	3	60N102510	Screw		2	
	4	829.1.217.1A	Holder		1	
	5	771.5.721.2B	Screw		1	
	6	516.4.001.1AB	Horn (BLACK)		1	
	7	771.5.025.2B	Screw		4	
	8	285.4.003.1A	Coil		2	
	9	749.5.001.1A	Nut		4	
	10	671.1.010.1A	Horizontal head spark plug wiring		1	
	11	750.5.001.1A	Nut		8	
	12	700.1.023.2A	Vibration damper		4	
	13	80A0.06385	Washer		1	
	14	671.1.009.1A	Vertical head spark plug wiring		1	
	15	286.4.012.1A	Injection control unit		1	
	16	546.1.097.1A	EPROM		1	
	17	433.1.179.1A	Plate "NON RIMUOVERE"		1	
	18	872.4.018.1A	Rubber cap		1	
	19	287.4.040.1A	Relay		2	
	20	829.1.127.1A	Holder		2	
	21	829.1.190.1A	Rubber holder		1	
	22	541.4.003.1A	Relay		1	
	23	389.4.007.1A	Fuse 7.5A		2	
	23	389.4.013.1A	Fuse 20A		1	
	24	0000.66526	Connector		1	
	25	0000.56803	Connector		1	

NOTES	NO.	CODE NO.	DESCRIPTION	VALIDITY	Q.TY	
	26	386.4.006.1A	Connector		1	
	27	387.4.002.1A	End section		2	
	28	764.4.005.1A	Rubber pad		1	
	29	0000.66527	End section		4	
	30	741.4.038.1A	Clamp		12	
	31	0675.49.540	Spacer		2	
	32	670.4.012.1A	Spark plug		2	
	33	0691.91.030	Clamp		17	

DRAWING **032** BATTERY BOX MOUNT

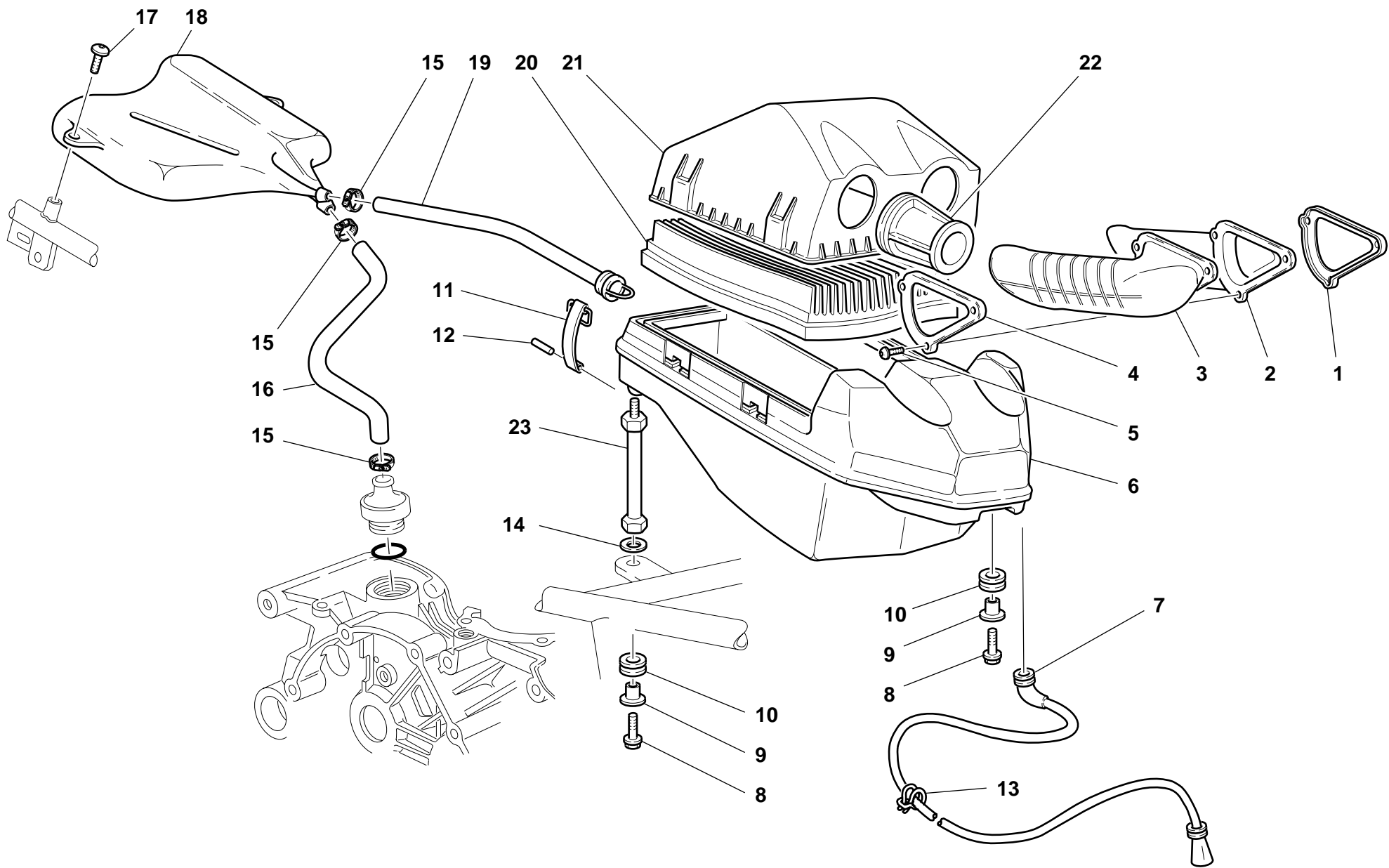


DRAWING **032** BATTERY BOX MOUNT

NOTES	NO.	CODE NO.	DESCRIPTION	VALIDITY	Q.TY	
	1	827.1.077.1A	Plate		1	
	2	514.1.016.2A	Battery-solenoid starter cable		1	
	3	0000.56443	Nut		2	
	4	514.1.017.2A	Solenoid starter-starter motor cable		1	
	5	417.9.050.6A	Nut		2	
	6	734006N01	Spring washer		2	
	7	397.4.001.1A	Remote switch		1	
	8	779.1.084.1A	Special screw		1	
	9	8000.56359	Washer		4	
	10	716.1.022.1A	Spacer		3	
	11	716.1.053.1A	Spacer		1	
	12	827.1.071.1A	Plate		1	
	13	0000.55698	Screw		1	
	14	866.1.031.1A	Rubber pad		1	
	15	772.5.023.1A	Screw		3	
	16	300182	Rubber pad		3	
	17	395.4.013.1A	Battery		1	
	18	513.1.008.2D	Battery grounding cable		1	
	19	775.1.006.1A	Special screw		1	
	20	772.5.025.1A	Screw		1	
	21	827.1.195.1A	Plate		1	
	22	829.1.172.1B	Battery box mount		1	
	23	829.1.291.1A	Spacer		1	
	24	827.1.215.1A	Plate		1	
	25	0675.49.530	Clamp		1	


NOTES	NO.	CODE NO.	DESCRIPTION	VALIDITY	Q.TY	
-------	-----	----------	-------------	----------	------	---

DRAWING 033 AIR INDUCTIO AND OIL VENT



DRAWING **033**

AIR INDUCTIO AND OIL VENT

NOTES	NO.	CODE NO.	DESCRIPTION	VALIDITY	Q.TY	
	1	827.1.123.1AB	L.H. plate		1	
	2	135.1.013.1B	L.H. hose		1	
	3	135.1.014.1B	R.H. hose		1	
	4	827.1.124.1AB	R.H. plate		1	
	5	779.1.088.1A	Screw		6	
	6	442.2.008.1A	Air filter box		1	
	7	877.2.002.1A	Tube		1	
	8	772.5.023.1A	Screw		3	
	9	716.1.022.1A	Spacer		3	
	10	8000.18048	Rubber pad		3	
	11	760.1.003.1A	Hook		4	
	12	74223.1045	Spring pin		4	
	13	829.1.129.1A	Clip		1	
	14	852.5.003.1A	Washer		2	
	15	741.4.002.1A	Clamp		2	
	16	876.1.066.1A	Breather pipe		1	
	17	0364.99.015	Screw		2	
	18	585.1.019.1C	Oil breather tank		1	
	19	876.1.069.1A	Filter/fuel tank outlet pipe		1	
	20	0370.98.610	Filter element		1	
	21	246.1.056.1A	Filter case cover		1	
	22	135.1.015.1A	Air funnel		2	
	23	684.1.026.1A	Stud bolt		2	

NOTES	NO.	CODE NO.	DESCRIPTION	VALIDITY	Q.TY	
-------	-----	----------	-------------	----------	------	---

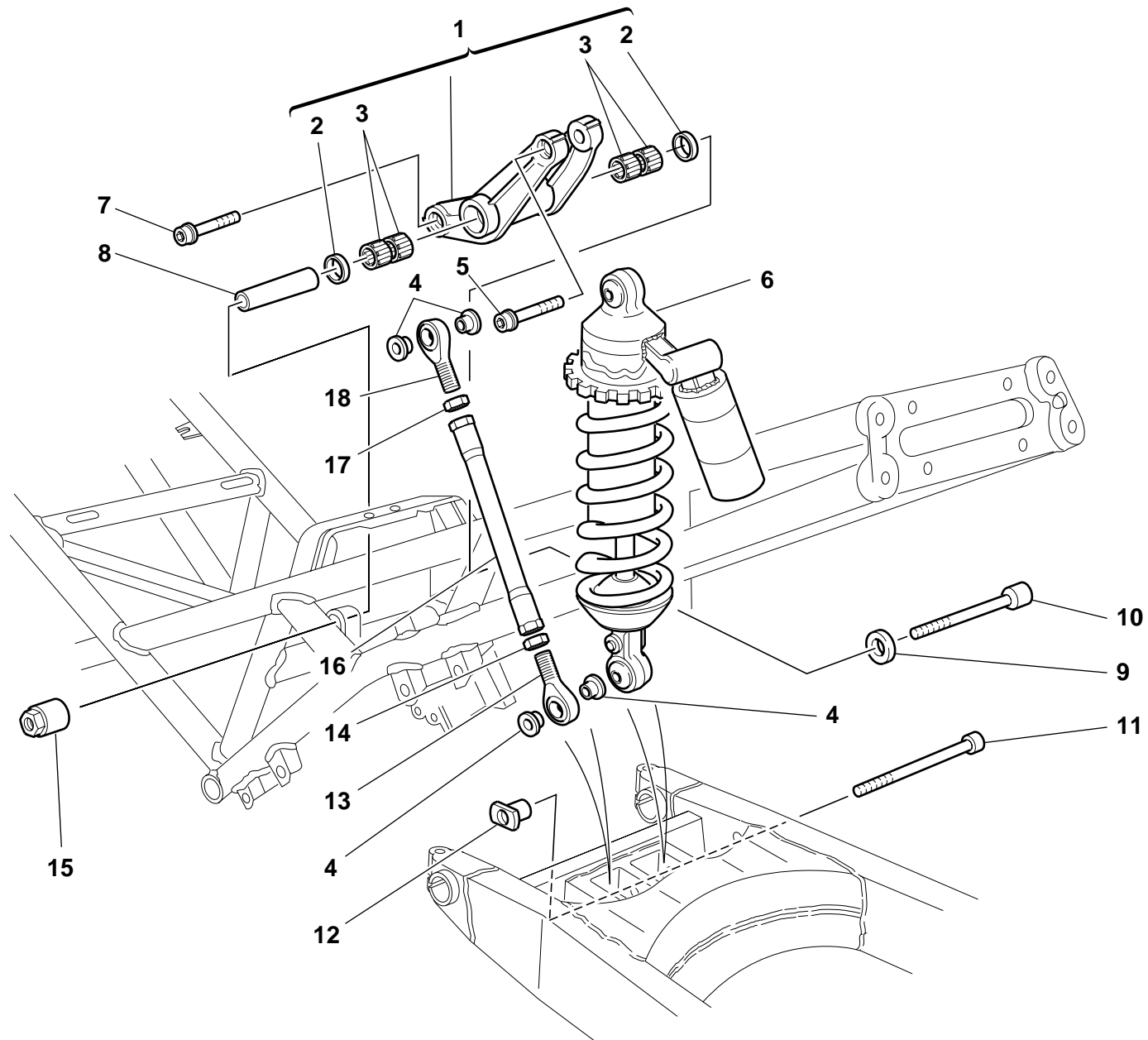
CATALOGUE No:
ISSUED:**915.1.063.1C**
05 - 00CATALOGUE No:
ISSUED:**915.1.063.1C**
05 - 00

DRAWING **034****SWINGARM AND CHAIN**


NOTES	NO.	CODE NO.	DESCRIPTION	VALIDITY	Q.TY	
	1	748.1.023.1A	Nut		2	
	2	819.1.030.1A	Rear wheel spindle		1	
	3	779.1.119.2A	Screw		8	
	4	447.1.031.1A	Lower chain sliding shoe		1	
	5	433.1.230.1A	Plate		1	
	6	872.1.019.1A	Cap		2	
	7	884.4.007.1A	Snap ring		2	
	8	369.1.004.1A	Swingarm pivot		1	
	9	60N102584	Screw		2	
	10	370.1.021.1B	Swingarm		1	
	11	676.2.033.1A	Final drive kit		1	
	12	852.1.001.1A	Shim th. 1.8		2	
	12	852.1.002.1A	Shim th. 0.2		1	
	12	852.1.003.1A	Shim th. 0.1		1	
	13	447.1.030.1A	Upper chain sliding shoer		1	
	14	0364.99.710	Nylon gasket		4	
	15	676.4.023.1A	Chain (102 Links)		1	
	16	565.1.021.1A	Rear mudguard		1	
	17	373.1.029.1B	Plate		2	
	18	771.5.004.2B	Screw		2	
	19	852.1.079.1A	Washer		2	
	20	373.1.028.1B	Sliding shoe		2	
	21	373.1.023.1A	Cover		2	
	22	779.1.037.1A	Screw		2	

NOTES	NO.	CODE NO.	DESCRIPTION	VALIDITY	Q.TY	
-------	-----	----------	-------------	----------	------	---

DRAWING 035 REAR SUSPENSION

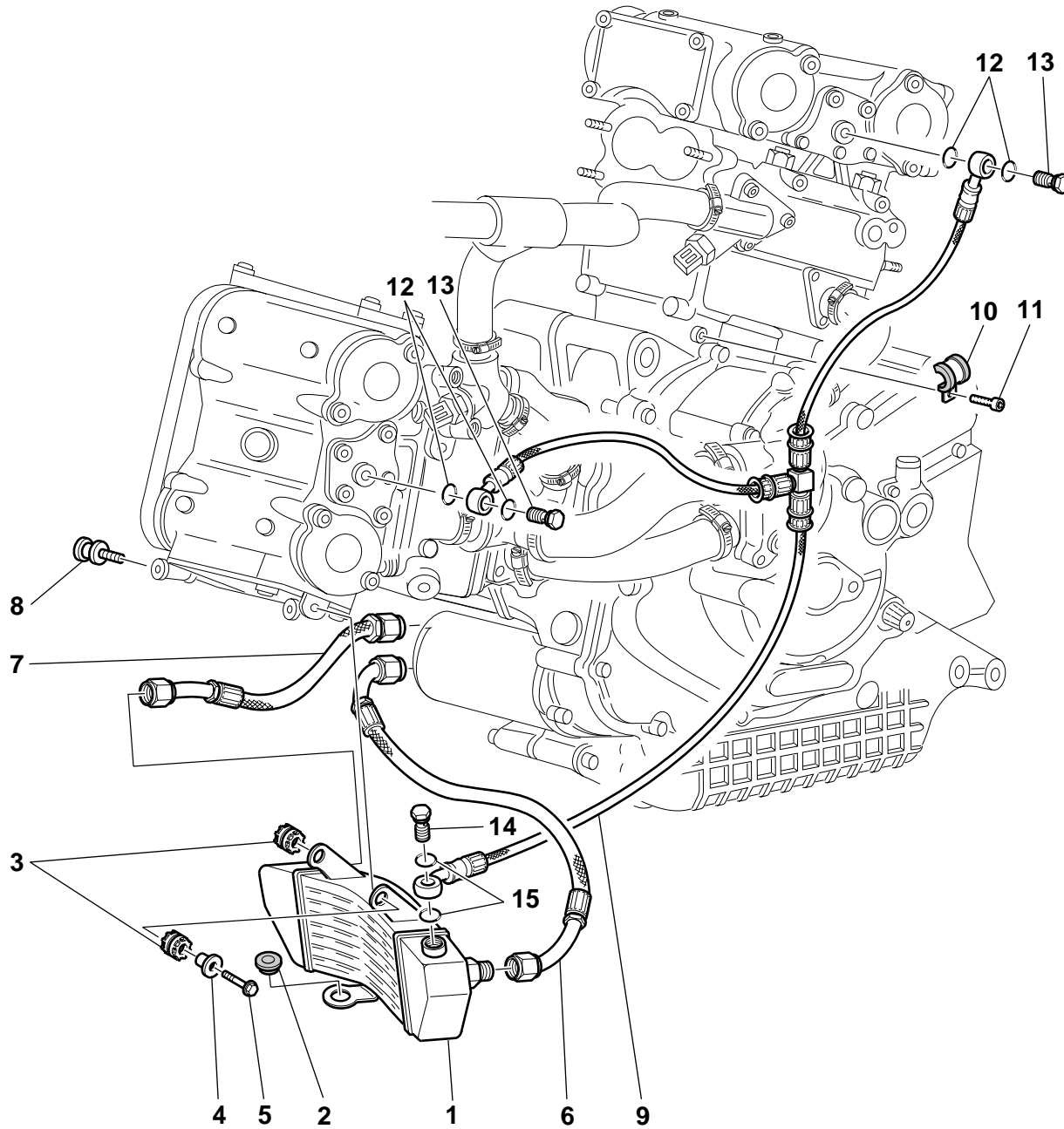


DRAWING **035** REAR SUSPENSION


NOTES	NO.	CODE NO.	DESCRIPTION	VALIDITY	Q.TY	
	1	372.2.008.1A	Rocker assembly		1	
	2	93781.1824	Seal ring		2	
	3	701.4.006.1A	Needle bearing		4	
	4	710.1.025.1A	Bush		4	
	5	771.5.938.2B	Screw		1	
	6	365.2.027.1C	Shock absorber		1	
	7	771.5.937.2B	Screw		1	
	8	710.1.057.1A	Bush		1	
	9	715.1.004.1A	Spacer		1	
	10	771.1.009.1A	Screw		1	
	11	771.1.008.1A	Screw		1	
	12	710.1.046.1A	Bush		1	
	13	76401.0010	Ball joint		1	
	14	417.9.090.1A	Nut		1	
	15	750.1.041.1A	Nut		1	
	16	875.1.038.1A	Tie rod		1	
	17	747.1.006.1A	Nut		1	
	18	76401.0009	Ball joint		1	

NOTES	NO.	CODE NO.	DESCRIPTION	VALIDITY	Q.TY	
-------	-----	----------	-------------	----------	------	---

DRAWING 036 OIL COOLER



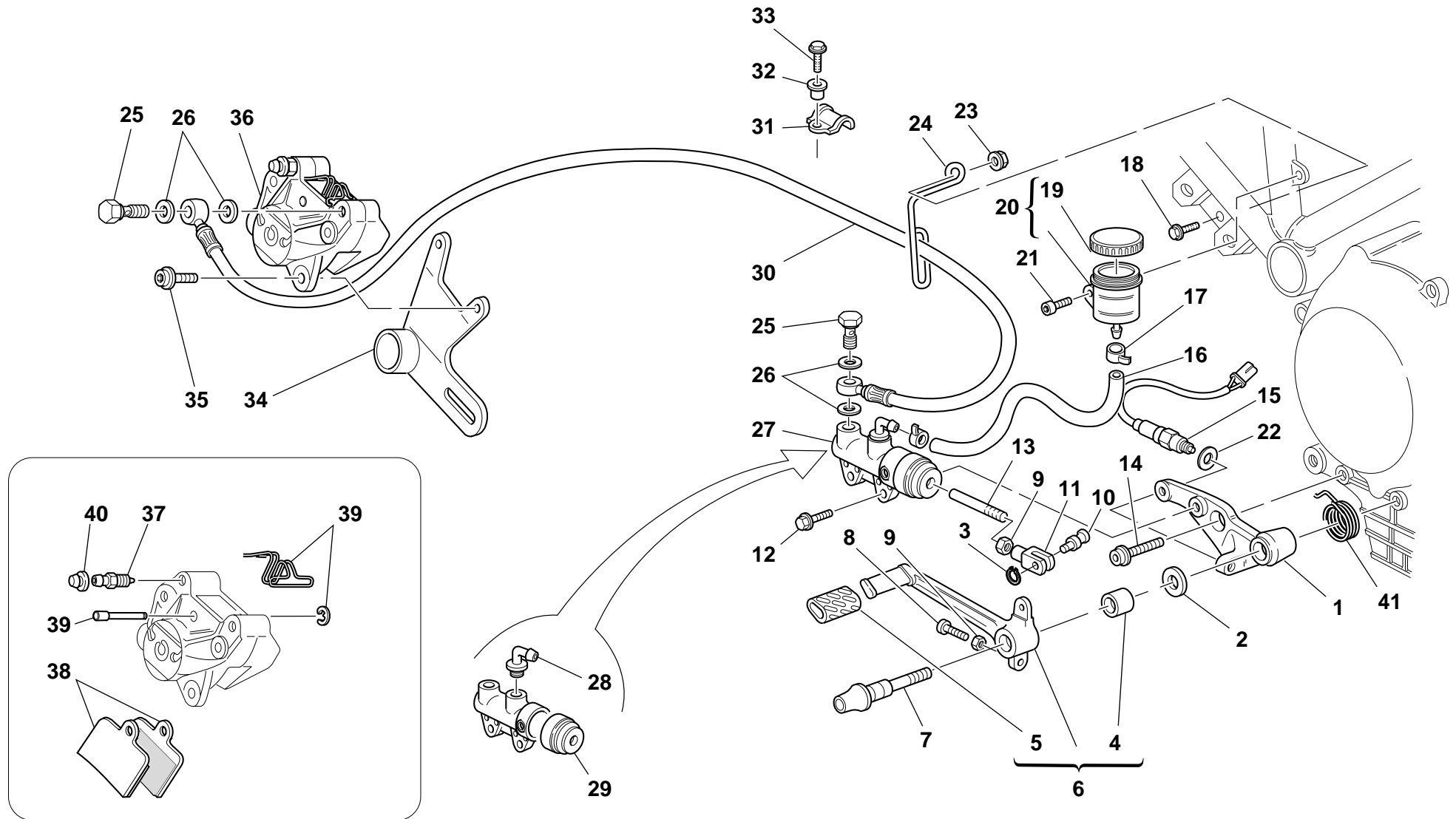
DRAWING **036** OIL COOLER

NOTES	NO.	CODE NO.	DESCRIPTION	VALIDITY	Q.TY	
	1	548.4.023.1B	Oil cooler		1	
	2	8000.69069	Vibration damper		1	
	3	764.1.024.1A	Vibration damper pad		2	
	4	0000.62652	Spacer		1	
	5	0000.62729	Screw		1	
	6	875.1.055.1A	Oil return pipe		1	
	7	875.1.054.1A	Oil delivery pipe		1	
	8	779.1.083.1A	Special screw		1	
	9	875.1.027.1A	Oil delivery pipe		1	
	10	741.4.033.1A	Clamp		1	
	11	60N102505	Screw		1	
	12	787.1.005.1A	Copper gasket		4	
	13	779.1.086.1B	Special screw		2	
	14	779.1.058.1A	Special screw		1	
	15	420.2.001.0A	Gasket th.1		2	

NOTES	NO.	CODE NO.	DESCRIPTION	VALIDITY	Q.TY	
-------	-----	----------	-------------	----------	------	---

CATALOGUE No: *915.1.063.1C*
ISSUED: *05 - 00*CATALOGUE No: *915.1.063.1C*
ISSUED: *05 - 00*

DRAWING 037 REAR HYDRAULIC BRAKE




DRAWING

037

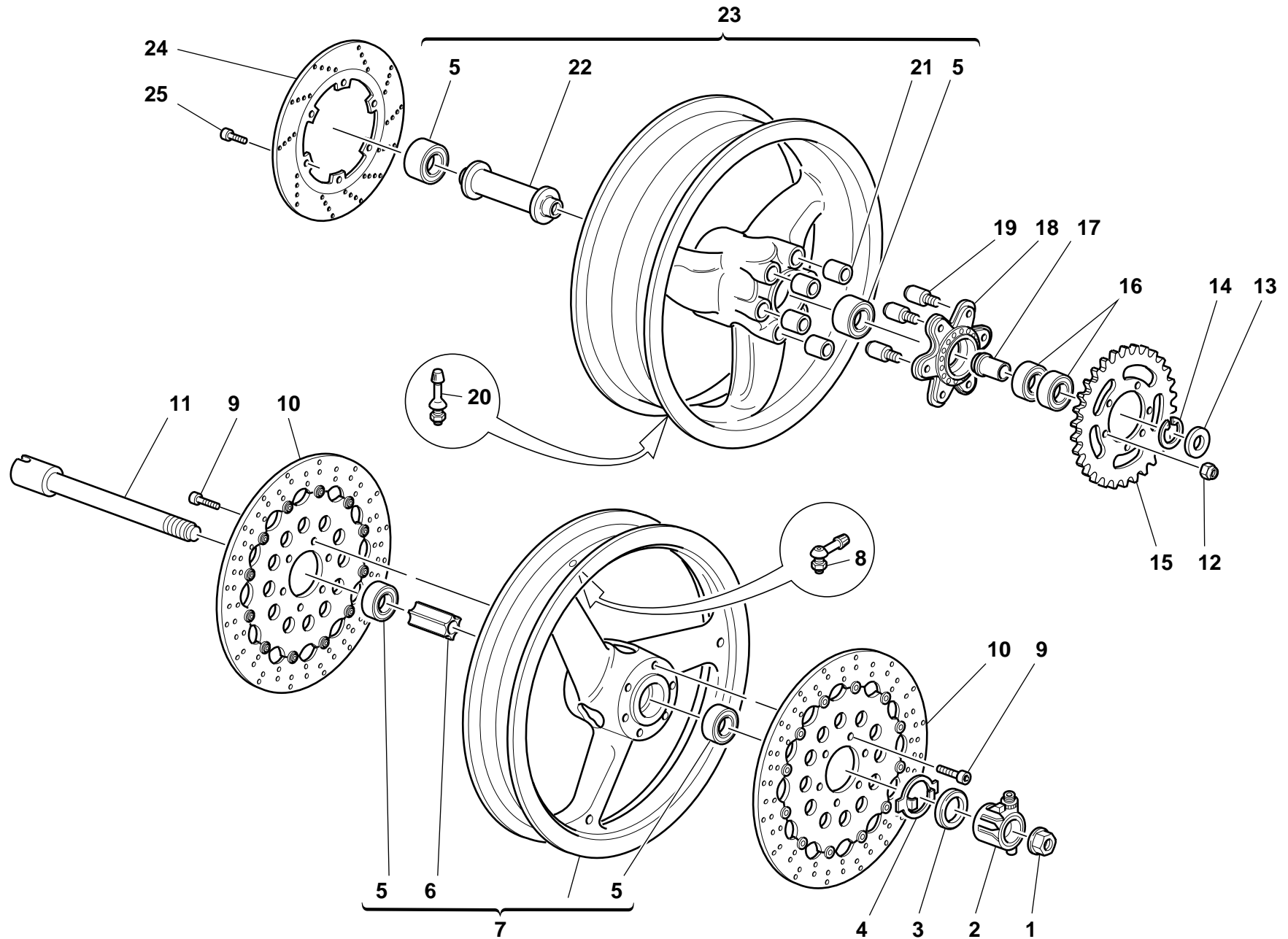
REAR HYDRAULIC BRAKE

NOTES	NO.	CODE NO.	DESCRIPTION	VALIDITY	Q.TY	
	1	829.1.184.1A	Holder		1	
	2	852.1.054.1A	Washer		1	
	3	73500.0624	Circlip		1	
	4	0000.59056	Bush		1	
	5	764.1.011.2A	Rubber pad		1	
	6	457.2.008.1A	Brake control lever		1	
	7	821.1.052.1A	Pedal pin		1	
	8	8000.67981	Threaded dowel		1	
	9	60N115062	Nut		2	
	10	821.1.096.1A	Pin		1	
	11	184.1.001.1A	Fork		1	
	12	772.5.024.1A	Screw		2	
	13	117.1.025.2A	Adjuster rod		1	
	14	771.5.754.2B	Screw		1	
	15	539.4.003.1B	Switch		1	
	16	877.1.050.1A	Tube		1	
	17	741.4.043.1A	Clamp		2	
	18	0000.62726	Screw		1	
	19	893.4.005.1A	Cap		1	
	20	585.4.001.1A	Complete oil tank		1	
	21	60N102505	Screw		1	
	22	420.2.000.8A	Copper gasket		1	
	23	0000.44240	Nut		1	
	24	829.1.073.3A	Holder		1	
	25	779.1.058.2A	Special screw		2	
	26	420.2.001.0A	Gasket th.1		4	

NOTES	NO.	CODE NO.	DESCRIPTION	VALIDITY	Q.TY	
	27	625.4.006.1A	Rear brake pump		1	
	28	0664.39.727	Spare union		1	
	29	0664.39.741	Dust cover		1	
	30	619.4.015.2C	Caliper pump pipe		1	
	31	8000.73456	Clip		1	
	32	0000.69282	Spacer		1	
	33	8A00.67997	Screw		1	
	34	825.1.022.1A	Caliper holder plate		1	
	35	771.5.724.2B	Screw		2	
	36	611.4.009.1A	Rear brake caliper		1	
	37	0370.39.780	Spare bleed union		1	
	38	613.4.021.1A	Pads pair		1	
	39	612.4.016.1A	Spare pins and spring		1	
	40	612.4.008.1A	Dust seal		1	
	41	799.1.083.1A	Spring		1	

CATALOGUE No:
ISSUED:915.1.063.1C
05 - 00CATALOGUE No:
ISSUED:915.1.063.1C
05 - 00

DRAWING 038 WHEELS

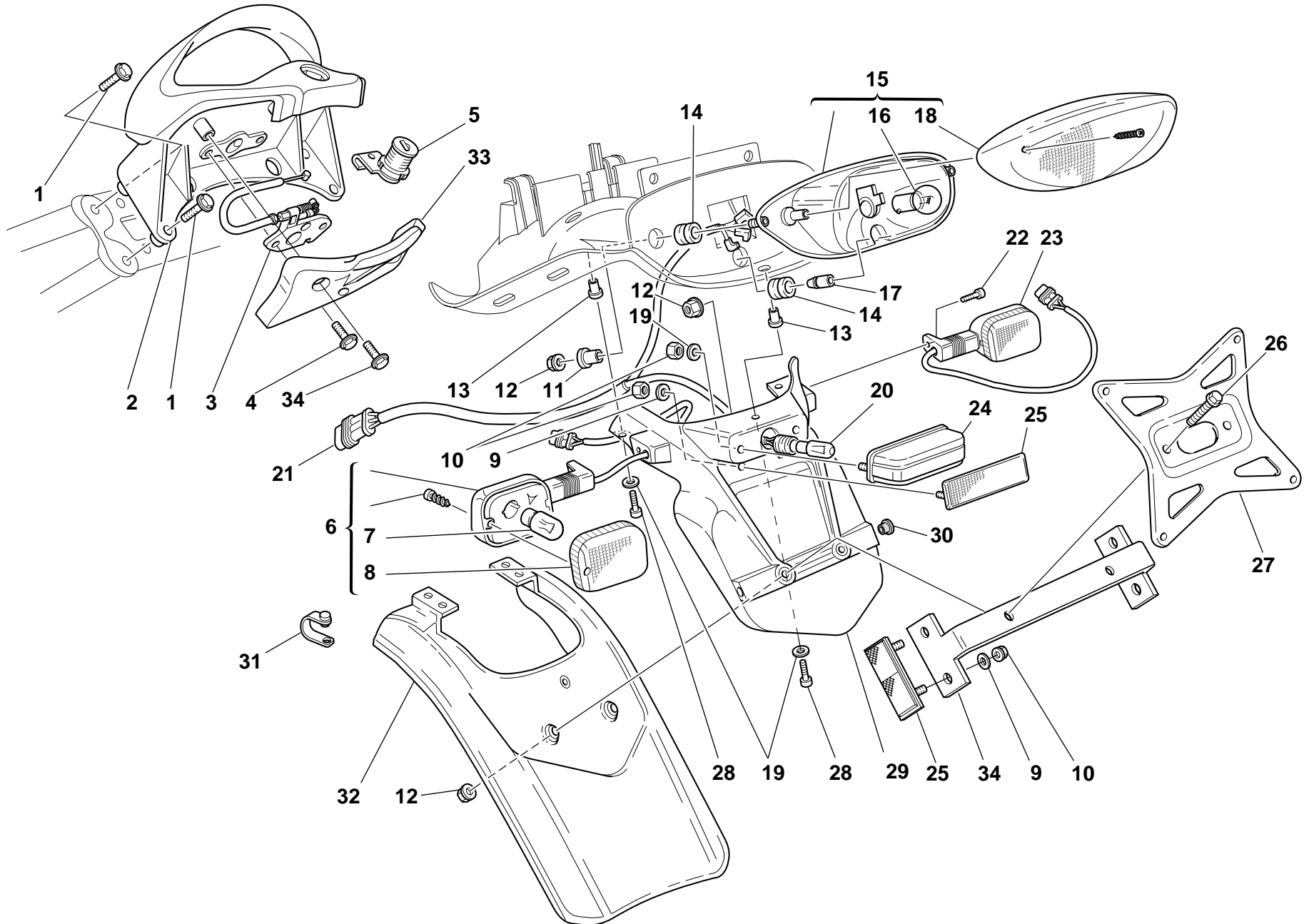


DRAWING **038** **WHEELS**

NOTES	NO.	CODE NO.	DESCRIPTION	VALIDITY	Q.TY	
	1	748.1.014.1B	Fork nut		1	
	2	8000.74049	Speedometer transmission		1	
	3	0000.64471	Seal ring		1	
	4	0000.62648	Relay drive ring		1	
	5	75162.2566	Bearing		4	
	6	714.1.028.1A	Inner spacer		1	
	7	501.2.019.1AF	Front wheel rim		1	
	8	497.2.001.2A	Valve		1	
	9	771.5.721.2B	Screw		12	
	10	492.4.024.1A	Brake disc		2	
	11	819.1.017.1A	Front wheel spindle		1	
	12	748.4.024.1A	Nut		6	
	13	713.1.097.1B	Spacer		1	
	14	884.5.008.1A	Circlip		1	
	15	494.1.068.3E	Ring gear z=43		1	
	16	75162.3075	Bearing		2	
	17	710.1.041.1B	Bush		1	
	18	160.1.049.1A	Rear sprocket flange		1	
	19	821.1.009.1B	Pin		6	
	20	0803.77.010	Valve		1	
	21	700.1.005.1A	Vibration damper		6	
	22	713.1.098.1A	Inner spacer		1	
	23	502.2.017.2AB	Rear rim		1	
	24	492.4.003.2A	Brake disc		1	
	25	771.5.723.2B	Screw		6	


NOTES	NO.	CODE NO.	DESCRIPTION	VALIDITY	Q.TY	
-------	-----	----------	-------------	----------	------	---

DRAWING **039** NUMBER PLATE HOLDER



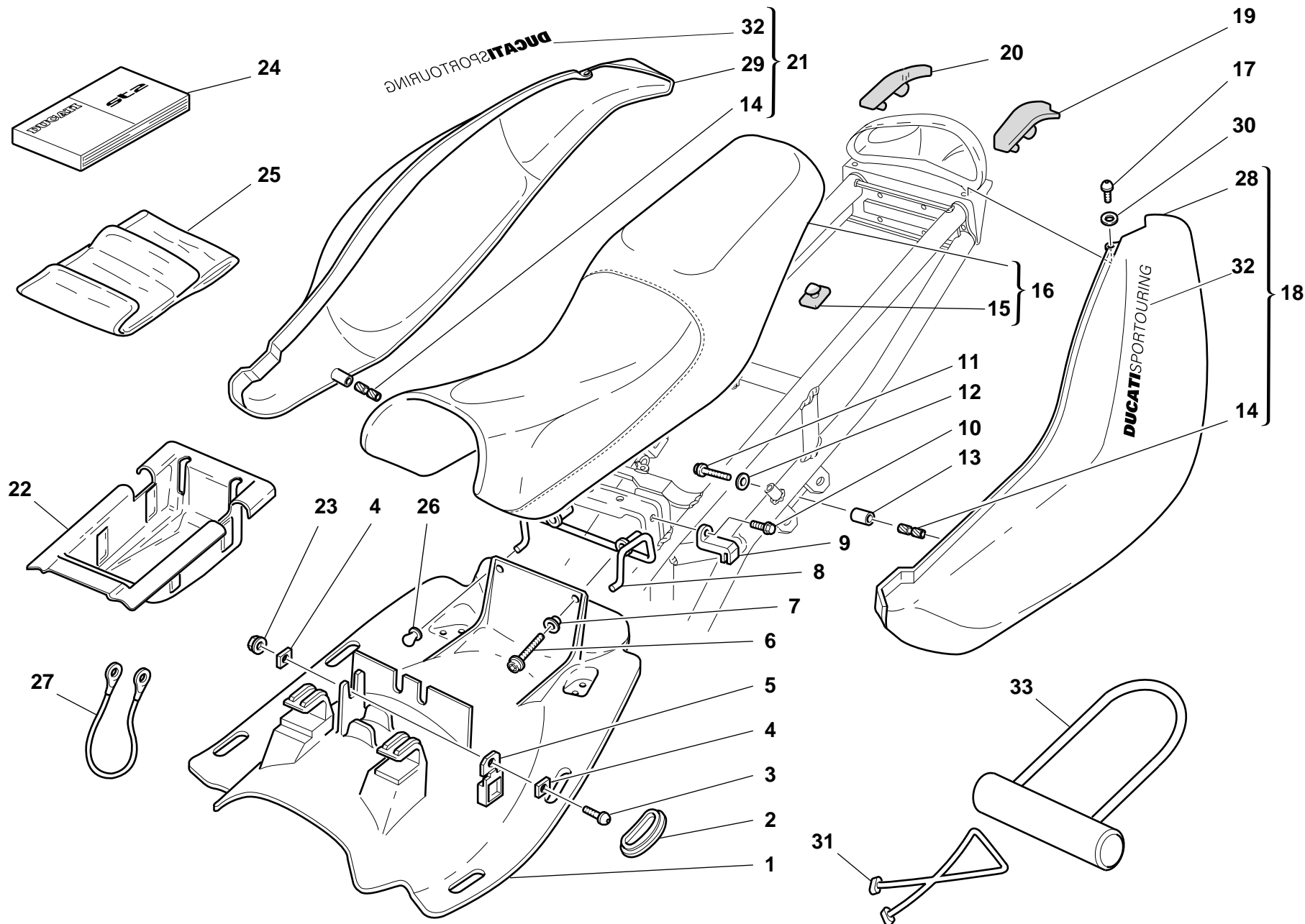
DRAWING **039****NUMBER PLATE HOLDER**

NOTES	NO.	CODE NO.	DESCRIPTION	VALIDITY	Q.TY	
	1	772.5.023.1A	Screw		4	
	2	806.1.011.1AA	Red handle		1	
	2	806.1.011.1AD	Handle blue		1	
	2	806.1.011.1AE	Yellow handle		1	
	3	732.2.006.1A	Lock latch		1	
	4	8A00.67997	Screw		2	
	5	598.2.019.1A	Seat lock		1	
	6	530.4.003.1B	L.H. turn indicator		1	
	7	0000.36726	Bulb		2	
	8	8000.74507	Cup		2	
	9	852.5.001.1A	Washer		4	
	10	749.5.001.1A	Nut		6	
	11	716.1.022.1A	Spacer		2	
	12	0000.44240	Nut		6	
	13	0000.63150	Insert		5	
	14	8000.18048	Rubber pad		3	
	15	525.4.010.1A	Tail light		1	
	16	390.4.003.1A	Two-light bulb 12V 5/21W		1	
	17	821.1.081.1A	Pin		1	
	18	532.4.002.1A	Lens		1	
	19	60N115548	Washer		7	
	20	0000.36230	Bulb		1	
	21	510.1.108.1A	Wiring		1	
	22	60N107335	Screw		2	
	23	530.4.004.1B	R.H. turn indicator		1	
	24	525.1.004.2A	Tail lamp		1	


NOTES	NO.	CODE NO.	DESCRIPTION	VALIDITY	Q.TY	
	25	529.1.006.1A	Cat's eye		3	
	26	772.5.024.1A	Screw		2	
	27	561.1.019.1A	Plate		1	
	28	771.5.043.2B	Screw		5	
	29	561.1.013.1A	Number plate holder		1	
	30	417.7.007.1A	Cap		2	
	31	741.1.012.1A	Clamp		2	
	32	0000.62726	Screw		2	
	33	460.1.080.1A	Mudflap		1	
	34	829.1.136.1A	Holder		1	


CATALOGUE No:
ISSUED:**915.1.063.1C**
05 - 00CATALOGUE No:
ISSUED:**915.1.063.1C**
05 - 00

DRAWING 040 SEAT




DRAWING **040** SEAT

NOTES	NO.	CODE NO.	DESCRIPTION	VALIDITY	Q.TY	
	1	559.1.005.1A	Panel		1	
	2	872.1.022.1A	Cap		4	
	3	779.1.088.1A	Screw		1	
	4	827.1.061.1A	Plate		2	
	5	829.4.001.1A	Holder		1	
	6	771.5.667.2B	Screw		2	
	7	716.1.038.1A	Spacer		2	
	8	760.1.015.1A	Hook		1	
	9	808.1.019.1A	Clamp		2	
	10	8H00.67545	Screw		2	
	11	770.5.619.2B	Screw		2	
	12	734305N01	Washer		2	
	13	713.1.129.1A	Spacer		2	
	14	850.4.016.1A	Threaded insert		1	
	15	866.1.030.1A	Rubber pad		6	
	16	595.1.034.1A	Seat		1	
	17	775.1.008.1A	Screw		2	
	18	482.1.027.1BA	L.H. body panel (RED)		1	
	18	482.1.027.1BD	L.H. body panel (BLUE)		1	
	18	482.1.027.1BE	L.H. body panel (YELLOW)		1	
	19	700.1.025.1A	L.H. gasket		1	
	20	700.1.024.1A	R.H. gasket		1	
	21	482.1.028.1BA	R.H. body panel (RED)		1	
	21	482.1.028.1BD	R.H. body panel (BLUE)		1	
	21	482.1.028.1BE	R.H. body panel (YELLOW)		1	
	22	565.1.022.2A	Tool box		1	

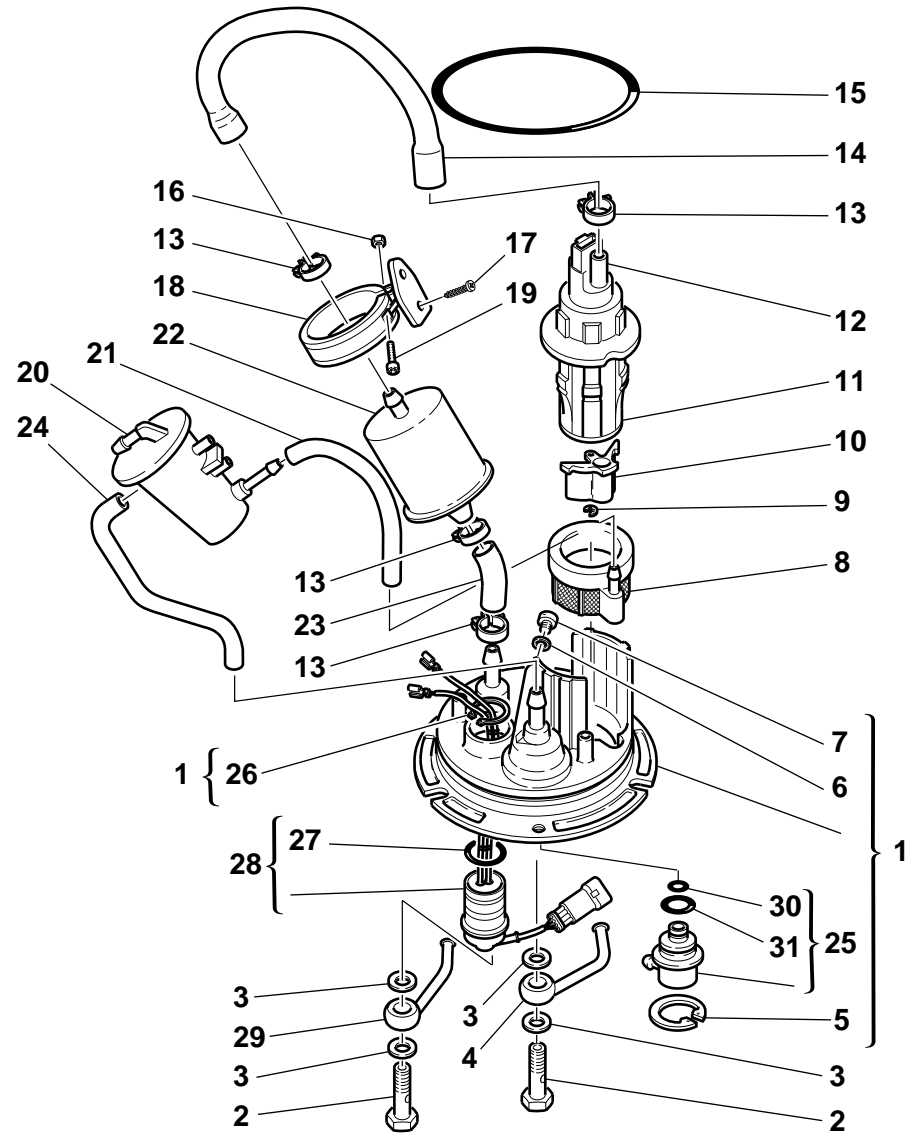
NOTES	NO.	CODE NO.	DESCRIPTION	VALIDITY	Q.TY	
	23	0000.56443	Nut		1	
	24	913.7.062.1B	Owner's manual		1	
	25	697.2.011.1A	Tool bag		1	
	26	764.1.023.1A	Rubber pad		2	
	27	732.1.005.1A	Helmet anti-theft wire		1	
	28	482.3.021.1A	L.H. body panel (unpainted)		1	
	29	482.3.022.1A	R.H. body panel (unpainted)		1	
	30	856.1.040.1A	Nylon washer		2	
	31	759.1.015.1A	Rubber		1	
	32	436.1.021.1A	Sticker "SPORTTOURING"		2	
	32	436.1.021.1AB	Sticker "SPORTTOURING" (YELLOW)		2	
	33	598.4.015.1A	Padlock		1	

DRAWING **041** FUEL TANK

NOTES	NO.	CODE NO.	DESCRIPTION	VALIDITY	Q.TY	
	1	586.1.029.1BA	Fuel tank (RED)		1	
	1	586.1.029.1BD	Fuel tank (BLUE)		1	
	1	586.1.029.1BE	Fuel tank (YELLOW)		1	
	2	895.4.001.2A	Tank cap		1	
	3	0000.62705	Split pin		1	
	4	00C0.05893	Shim		2	
	5	712.1.013.1A	Bush		2	
	6	772.5.025.1A	Screw		2	
	7	827.2.134.1A	Plate		1	
	8	821.1.028.2B	Pin		1	
	9	590.1.085.1A	Tube		2	
	10	741.4.004.1A	Clamp		4	
	11	829.1.186.1A	Rubber holder		2	
	12	552.1.003.2A	Sensor		1	
	13	8000.56391	Nylon washer		2	
	14	771.5.040.2B	Screw		1	
	15	771.5.045.7E	Screw		3	
	16	791.1.034.1A	Cover gasket		1	
	17	750.1.042.1A	Nut		5	
	18	763106N01	El-stop nut		4	
	19	866.1.029.1A	Rubber pad		2	
	20	8000.77921	Screw		1	
	21	420.2.001.0A	Gasket th.1		1	
	22	830.1.131.1A	Bracket		1	
	23	764.1.019.1A	Vibration damper pad		1	
	24	00B0.55703	Screw		2	


NOTES	NO.	CODE NO.	DESCRIPTION	VALIDITY	Q.TY	
	25	247.2.105.2A	Cover		1	
	26	791.1.012.1A	Gasket		1	

DRAWING 042 FUEL SYSTEM



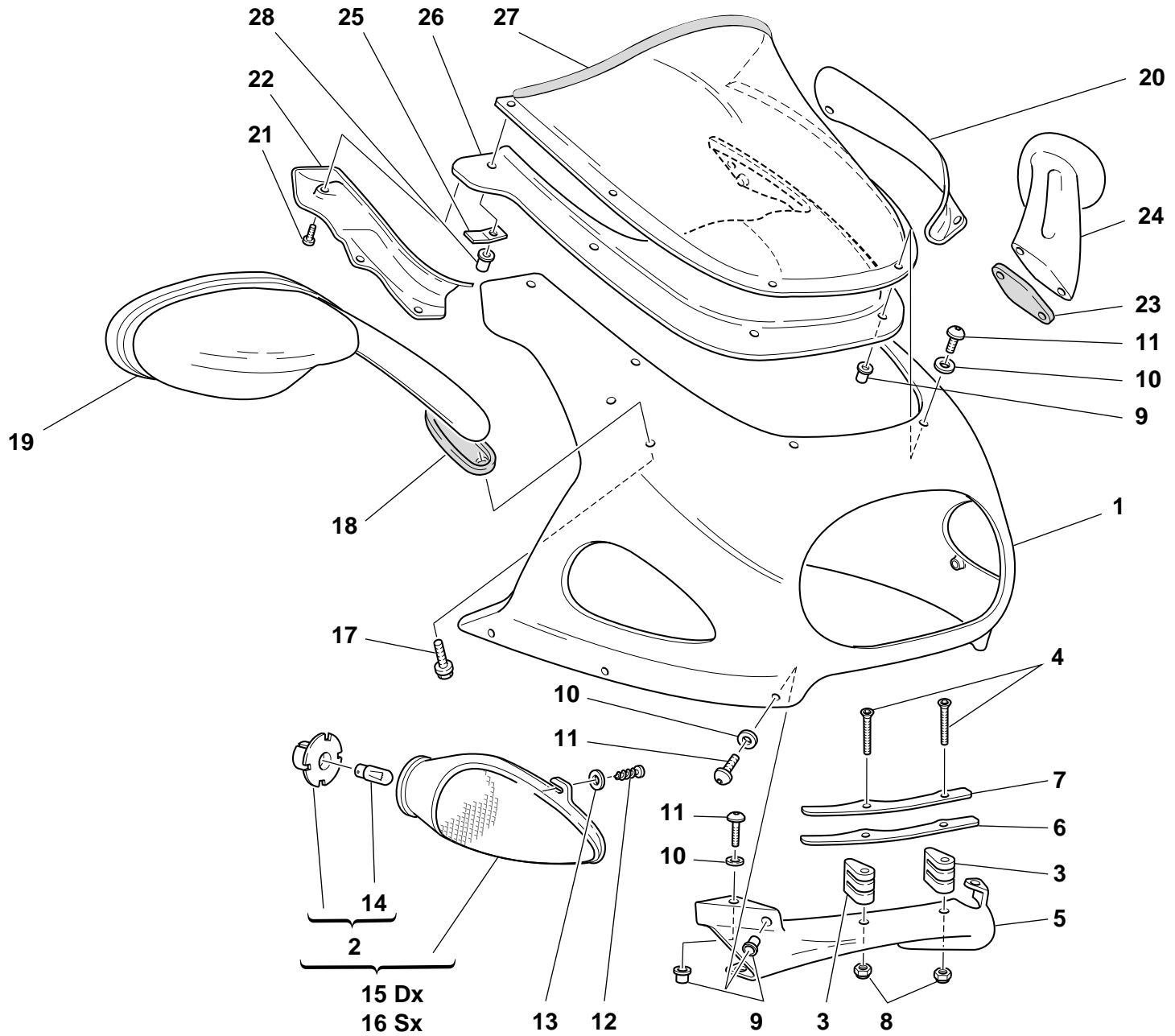
DRAWING **042** FUEL SYSTEM

NOTES	NO.	CODE NO.	DESCRIPTION	VALIDITY	Q.TY	
	1	160.9.057.1A	Flange		1	
	2	779.1.170.1A	Special screw		2	
	3	852.1.098.1A	Washer		2	
	4	814.1.065.1A	Union		1	
	5	73503.3449	Circlip		1	
	6	420.2.001.0A	Gasket th.1		1	
	7	780.1.008.1A	Cap		1	
	8	427.1.003.1A	Fuel pump filter		1	
	9	850.4.031.1A	Snap ring		1	
	10	484.1.029.1B	Manifold		1	
	11	829.1.077.2B	Pump holder		1	
	12	430.4.004.1A	Fuel pump		1	
	13	741.4.004.1A	Clamp		4	
	14	590.1.092.1A	Tube		1	
	15	886.5.001.1A	O-Ring		1	
	16	0419.50.115	Hexagon nut		1	
	17	72237.0974	Self-tapping screw		2	
	18	829.1.104.1A	Holder		1	
	19	0419.50.045	Screw		1	
	20	427.4.002.1A	Air separator		1	
	21	590.1.059.1A	Tube		1	
	22	425.4.004.1A	Fuel filter		1	
	23	590.1.091.1A	Tube		1	
	24	590.1.058.1A	Tube		1	
	25	283.4.003.1A	Pressure regulator		1	
	26	73500.2668	Circlip		1	

NOTES	NO.	CODE NO.	DESCRIPTION	VALIDITY	Q.TY	
	27	886.5.011.1A	O-Ring		1	
	28	510.2.003.1A	Pump wiring		1	
	29	814.1.066.1A	Union		1	
	30	886.4.021.1A	O-ring		1	
	31	886.4.022.1A	O-ring		1	


DRAWING 043

HEADLIGHT FAIRING

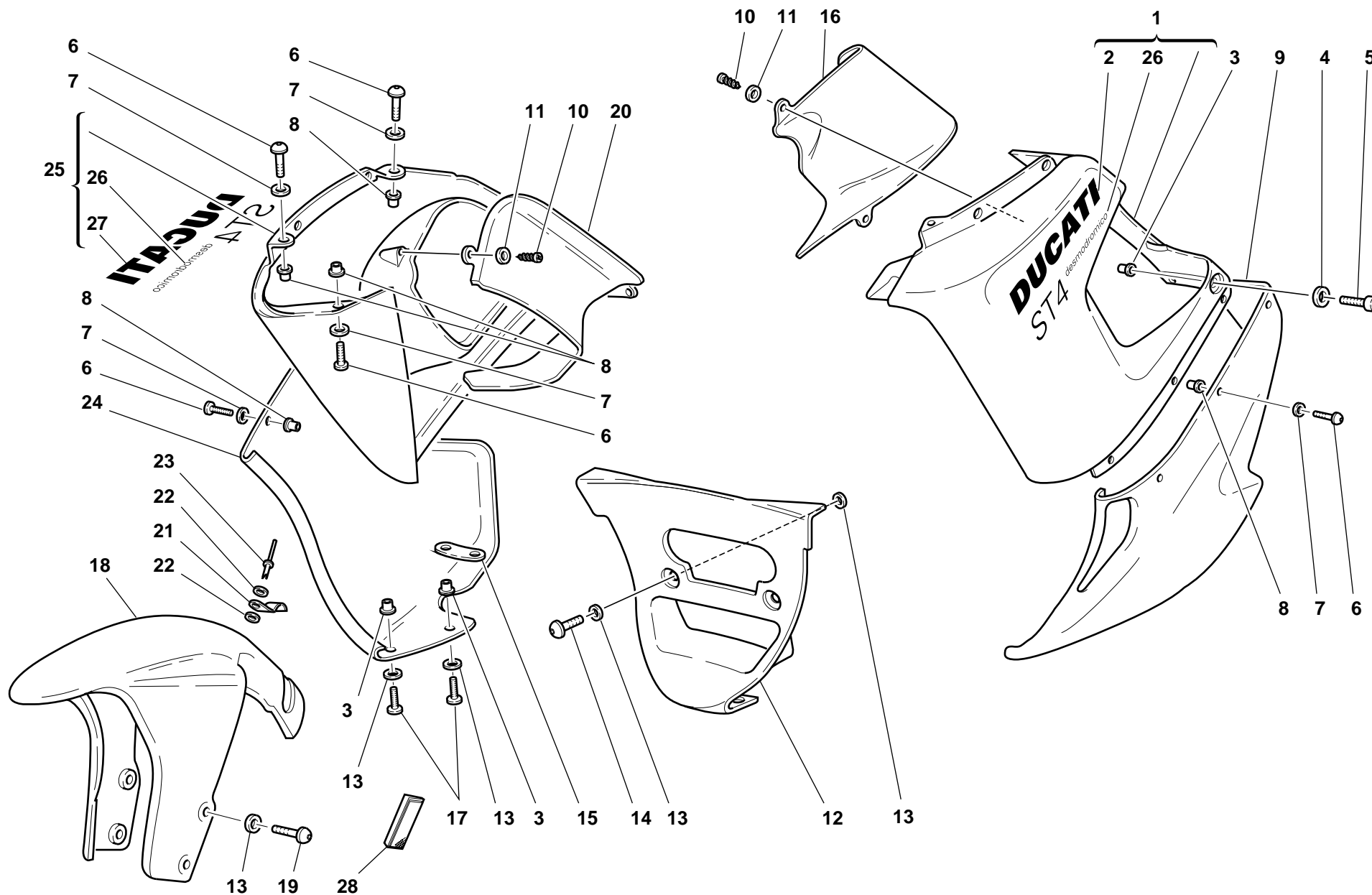


DRAWING **043** HEADLIGHT FAIRING

NOTES	NO.	CODE NO.	DESCRIPTION	VALIDITY	Q.TY	
	1	481.1.016.1BA	Headlight fairing (RED)		1	
	1	481.1.016.1BD	Headlight fairing (BLUE)		1	
	1	481.1.016.1BE	Headlight fairing (YELLOW)		1	
	1	481.3.016.1A	Headlight fairing (unpainted)		1	
	2	390.4.005.1A	Lamp holder		2	
	3	808.1.018.1A	Clamp		2	
	4	777.5.007.2B	Screw		2	
	5	484.1.024.1AA	Air manifold (RED)		1	
	5	484.1.024.1AD	Air manifold (BLUE)		1	
	5	484.1.024.1AE	Air manifold (YELLOW)		1	
	5	484.3.024.1A	Manifold (unpainted)		1	
	6	827.1.131.1A	Lower plate		1	
	7	827.1.130.1A	Upper plate		1	
	8	749.5.001.1A	Nut		2	
	9	0000.63150	Insert		14	
	10	0000.63161	Washer		14	
	11	775.1.011.1A	Screw		14	
	12	72237.0657	Self-tapping screw		4	
	13	852.5.002.1A	Washer		4	
	14	0000.36726	Bulb		2	
	15	530.4.006.1A	R.H. turn indicator		1	
	16	530.4.005.1A	L.H. turn indicator		1	
	17	772.5.023.1A	Screw		4	
	18	713.1.126.1A	R.H. gasket		1	
	19	523.4.007.1AA	R.H. rear-view mirror (RED)		1	
	19	523.4.007.1AD	R.H. rear-view mirror (BLUE)		1	

NOTES	NO.	CODE NO.	DESCRIPTION	VALIDITY	Q.TY	
	19	523.4.007.1AE	R.H. rear-view mirror (YELLOW)		1	
	20	460.1.072.1A	L.H. side panel		1	
	21	779.1.116.1A	Screw		2	
	22	460.1.071.1A	R.H. side panel		1	
	23	713.1.127.1A	L.H. gasket		1	
	24	523.4.006.1AA	L.H. rear-view mirror (RED)		1	
	24	523.4.006.1AD	L.H. rear-view mirror (BLUE)		1	
	24	523.4.006.1AE	L.H. rear-view mirror (YELLOW)		1	
	25	827.1.162.1A	Plate		2	
	26	460.1.070.1A	Panel		1	
	27	487.1.014.1A	Windshield		1	
	28	850.4.013.1A	Threaded insert		2	

DRAWING 044 FAIRING




DRAWING

044

FAIRING

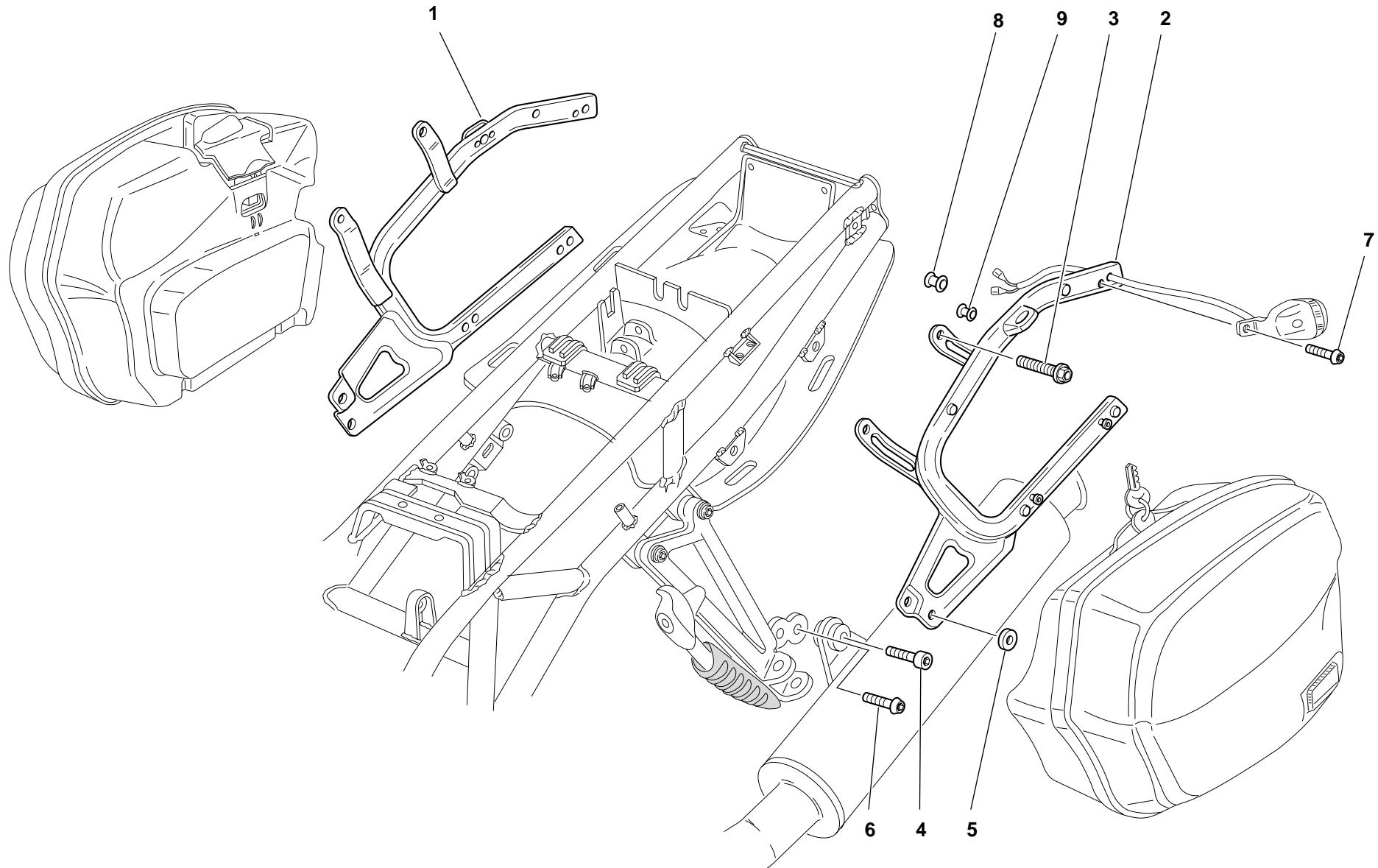
NOTES	NO.	CODE NO.	DESCRIPTION	VALIDITY	Q.TY	
	1	480.1.058.1CA	L.H. upper half-fairing (RED)		1	
	1	480.1.058.1CD	L.H. upper half-fairing (BLUE)		1	
	1	480.1.058.1CE	L.H. upper half-fairing (YELLOW)		1	
	1	480.3.058.1A	L.H. upper half-fairing (unpainted)		1	
	2	437.1.112.1AA	L.H. sticker "DUCATI ST4" (light)		1	
	2	437.1.112.1AB	L.H. sticker "DUCATI ST4" (dark)		1	
	3	0364.99.020	Bush		6	
	4	841.1.001.1C	Retainer		2	
	5	779.5.001.1A	Screw		2	
	6	775.1.011.1A	Screw		12	
	7	0000.63161	Washer		12	
	8	0000.63150	Insert		12	
	9	480.1.059.2AA	L.H. lower half-fairing (RED)		1	
	9	480.1.059.2AD	L.H. lower half-fairing (BLUE)		1	
	9	480.1.059.2AE	L.H. lower half-fairing (YELLOW)		1	
	9	480.3.059.1A	L.H. lower half-fairing (UNPAINTED)		1	
	10	72231.0871	Screw		4	
	11	852.5.002.1A	Washer		4	
	12	484.1.034.1A	Air manifold (RED)		1	
	12	484.1.034.1AD	Air manifold (BLUE)		1	
	12	484.1.034.1AE	Air manifold (YELLOW)		1	
	12	484.3.034.1A	Manifold		1	
	13	856.1.040.1A	Nylon washer		12	
	14	775.1.008.2A	Screw		2	
	15	827.1.012.1A	Bent plate		1	
	16	484.1.025.1AA	L.H. air manifold		1	

CATALOGUE No:
ISSUED:915.1.063.1C
05 - 00


NOTES	NO.	CODE NO.	DESCRIPTION	VALIDITY	Q.TY	
	17	779.1.089.1A	Screw		4	
	18	564.1.023.1AA	Front mudguard (RED)		1	
	18	564.1.023.1AD	Front mudguard (BLUE)		1	
	18	564.1.023.1AE	Front mudguard (YELLOW)		1	
	18	564.3.023.1A	Front mudguard (unpainted)		1	
	19	0000.55698	Screw		4	
	20	484.1.026.1AA	R.H. air manifold		1	
	21	850.1.003.1A	Clip		1	
	22	852.1.075.1A	Washer		2	
	23	736.4.013.1B	Shear rivet		1	
	24	480.1.061.2AA	R.H. lower half-fairing (RED)		1	
	24	480.1.061.2AD	R.H. lower half-fairing (BLUE)		1	
	24	480.1.061.2AE	R.H. lower half-fairing (YELLOW)		1	
	24	480.3.061.1A	R.H. lower half-fairing (unpainted)		1	
	25	480.1.060.1CA	R.H. upper half-fairing (RED)		1	
	25	480.1.060.1CD	R.H. lower half-fairing (BLUE)		1	
	25	480.1.060.1CE	R.H. lower half-fairing (YELLOW)		1	
	25	480.3.060.1A	R.H. upper half-fairing (unpainted)		1	
	26	437.1.107.1AA	Sticker "DESMODROMICO"		2	
	26	437.1.107.1AB	Sticker "DESMODROMICO" (YELLOW)		2	
	27	437.1.114.1AA	R.H. sticker "DUCATI ST4" (light)		1	
	27	437.1.114.1AB	R.H. sticker "DUCATI ST4" (dark)		1	
	28	529.1.008.1AB	Cat's eye (AMBER)		2	

CATALOGUE No:
ISSUED:915.1.063.1C
05 - 00

DRAWING **045** PANNIERS FASTENS



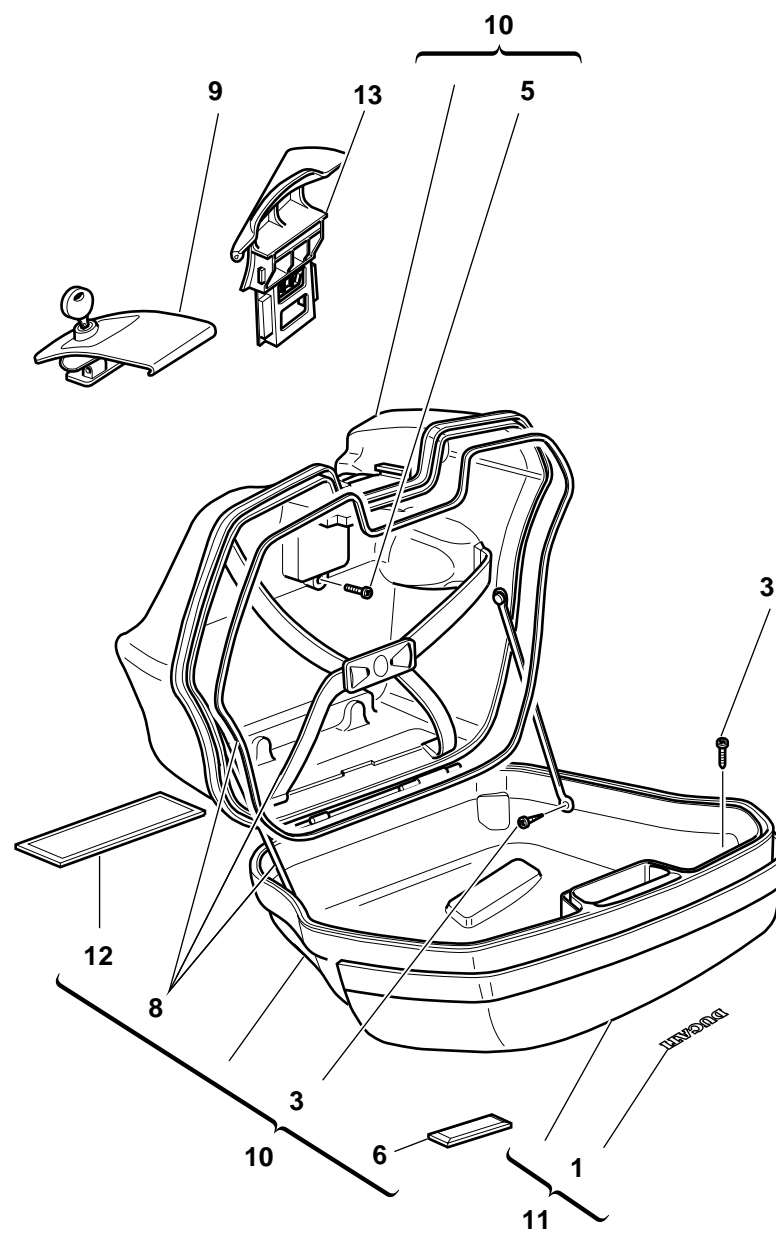
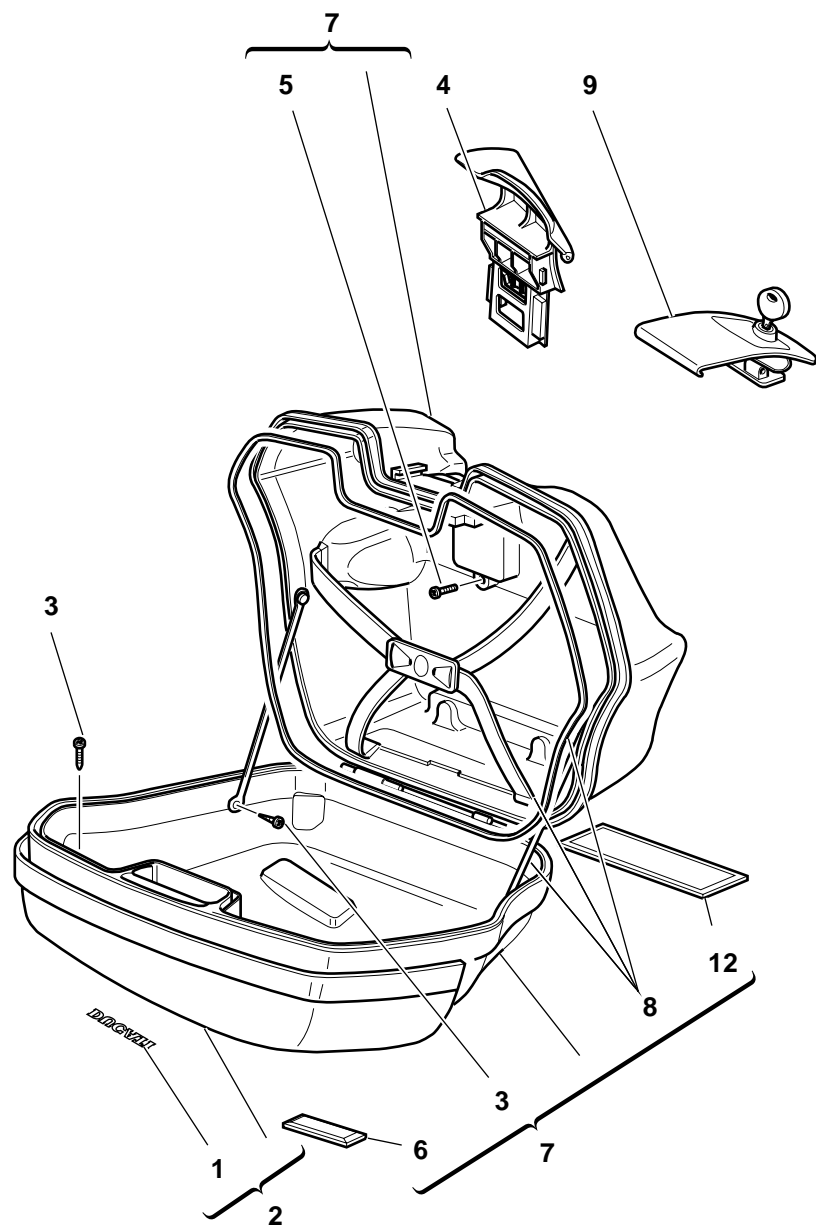
DRAWING **045** PANNIERS FASTENS

NOTES	NO.	CODE NO.	DESCRIPTION	VALIDITY	Q.TY	
	1	829.1.206.1A	R.H. holder		1	
	2	829.1.205.1A	L.H. holder		1	
	3	772.5.008.1A	Screw		4	
	4	771.5.002.1A	Screw		1	
	5	713.1.130.1A	Spacer		1	
	6	775.5.002.1A	Screw		2	
	7	8BB0.61070	Screw		2	
	8	872.4.022.1A	Cap		2	
	9	872.4.023.1A	Cap		2	


NOTES	NO.	CODE NO.	DESCRIPTION	VALIDITY	Q.TY	
-------	-----	----------	-------------	----------	------	---

DRAWING 046

SIDE PANNIERS



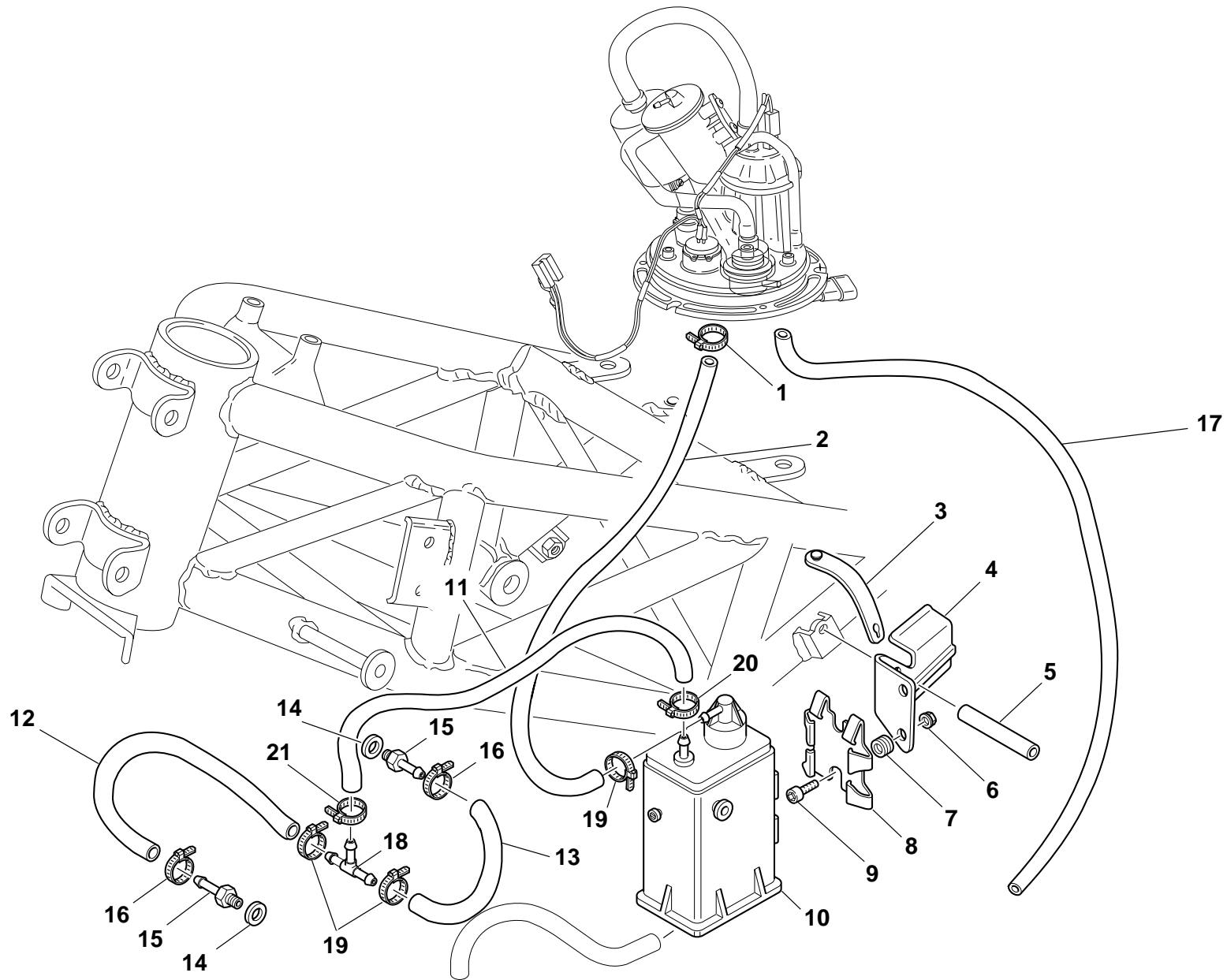
DRAWING **046** SIDE PANNIERS

NOTES	NO.	CODE NO.	DESCRIPTION	VALIDITY	Q.TY	
	1	438.1.096.1AA	Sticker "DUCATI"		2	
	1	438.1.096.1AB	Sticker "DUCATI" (GREY)		2	
	2	698.1.021.1BA	R.H. cover (RED)		1	
	2	698.1.021.1BD	R.H. cover (BLUE)		1	
	2	698.1.021.1BE	R.H. cover (YELLOW)		1	
	3	72237.0657	Self-tapping screw		20	
	4	698.1.023.1A	R.H. handle		1	
	5	72237.0974	Self-tapping screw		2	
	6	529.4.005.1A	Cat's eye (AMBER)		2	
	7	698.1.015.1A	R.H. pannier		1	
	8	698.1.026.1A	Series of belts		1	
	9	698.1.025.1A	Pannier locks kit		1	
	10	698.1.016.1A	L.H. pannier		1	
	11	698.1.022.1BA	L.H. cover (RED)		1	
	11	698.1.022.1BD	L.H. cover (BLUE)		1	
	11	698.1.022.1BE	L.H. cover (YELLOW)		1	
	12	698.1.027.1A	Insulation		1	
	13	698.1.024.1A	L.H. handle		1	


NOTES	NO.	CODE NO.	DESCRIPTION	VALIDITY	Q.TY	
-------	-----	----------	-------------	----------	------	---

DRAWING 047

FUEL INFEED



DRAWING **047** FUEL INFEED

NOTES	NO.	CODE NO.	DESCRIPTION	VALIDITY	Q.TY	
	1	741.4.057.1A	Clamp		1	
	2	590.1.174.1A	Tube		1	
	3	741.1.013.1A	Clamp		1	
	4	829.1.207.1A	Holder		1	
	5	716.1.043.1A	Spacer		2	
	6	0000.44240	Nut		2	
	7	764.1.029.1A	Rubber pad		2	
	8	827.1.157.1A	Plate		1	
	9	779.5.001.1A	Screw		2	
	10	426.1.007.1A	CANISTER filter		1	
	11	590.1.175.1A	Tube		1	
	12	590.1.173.1A	Tube		1	
	13	590.1.172.1A	Tube		2	
	14	0250.70.223	Aluminium gasket		2	
	15	814.1.091.2A	Union		2	
	16	741.4.013.1B	Clamp		2	
	17	590.1.102.1A	Breather pipe		1	
	18	0361.98.850	Shunt valve		1	
	19	741.4.063.1A	Clamp		3	
	20	741.4.058.1A	Clamp		1	
	21	741.4.059.1A	Clamp		1	

NOTES	NO.	CODE NO.	DESCRIPTION	VALIDITY	Q.TY	
-------	-----	----------	-------------	----------	------	---

DRAWING 048

MARKING PLATES

OBJECT IN MIRROR ARE CLOSER THAN THEY APPEAR

Cod. 433.1.166.1A

1

2

WARNING

DO NOT ATTEMPT TO LOOK THROUGH THIS FAIRING. THIS IS NOT A WINDSHIELD, BUT AN AERODYNAMIC FAIRING ONLY; FAILURE TO OBSERVE THIS WARNING COULD RESULT IN A COLLISION OR UPSET AND CONSEQUENT SERIOUS BODILY INJURY.

Cod. 433.1.165.1A

ATTENZIONE! Per evitare perdite di carburante dal tubo di sfiato, evitare di sollevare il serbatoio quando questo è pieno oltre la metà.
ATTENTION! To avoid fuel leaks from the breather pipe, do not lift the tank when it is more than half full.

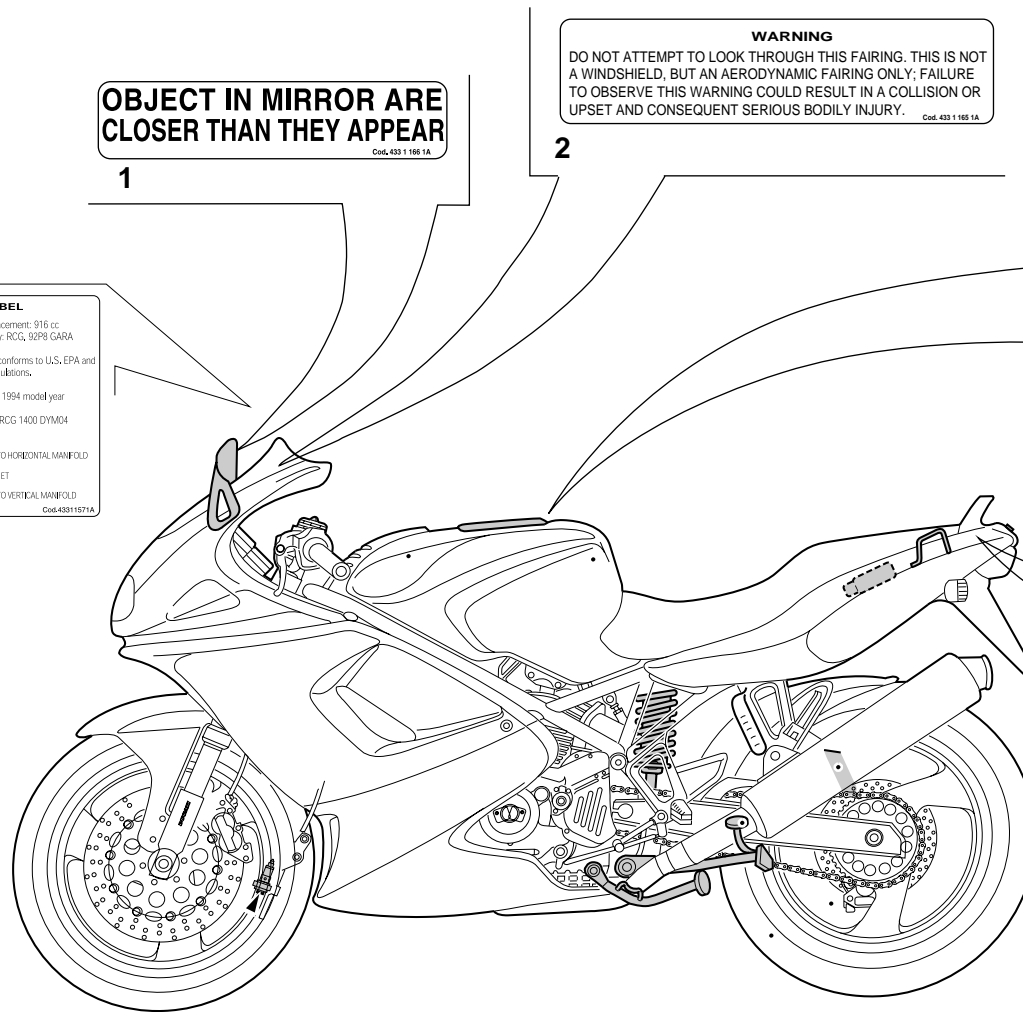
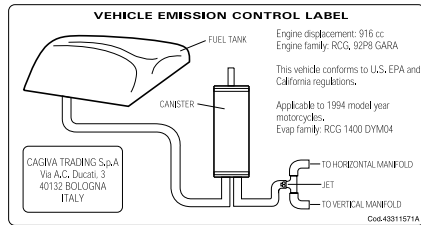
Cod. 439.1.005.1A

4


HELMET HOLDER UNDER THE SEAT

3

5



DRAWING **048** MARKING PLATES

NOTES	NO.	CODE NO.	DESCRIPTION	VALIDITY	Q.TY	
	1	433.1.165.1A	Sticker		1	
	2	433.1.166.1A	Label		2	
	3	433.1.170.1A	Sticker		1	
	4	433.1.164.1A	Sticker		1	
	5	433.1.172.1A	Sticker		1	

NOTES	NO.	CODE NO.	DESCRIPTION	VALIDITY	Q.TY	
-------	-----	----------	-------------	----------	------	---

PAINTS

Colore Paint Vernis Slacken Lacas	Codice Code Code Code Codice	Codice Code Code Code Codice	Codice Code PPG Code Codice	Codice Code Code Code Codice
---	--	--	--	--

"Rosso Anniversary DUCATI"

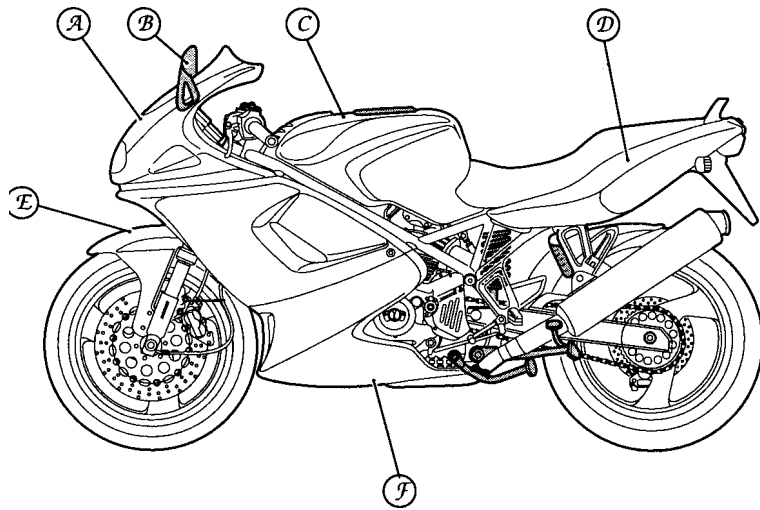
487.111

"Giallo DUCATI"

473.201

"Blu metallizzato DUCATI"

291.800



- A Headlight fairing
- B Rear-view mirror
- C Fuel tank
- D Body panel
- E Front mudguard
- F Fairing

INDEX

CODE No.	Drwg.	POS. N.	CODE No.	Drwg.	POS. N.	CODE No.	Drwg.	POS. N.	CODE No.	Drwg.	POS. N.	CODE No.	Drwg.	POS. N.
0000.33552	27	20	0000.62705	41	3	0204.70.105	14	25	0370.69.970	21	14	0660.49.053	9	17
0000.36230	23	8	0000.62726	37	18	0214.07.350	2	22	0370.72.020	27	8	0660.50.020	12	8
0000.36230	39	20	0000.62726	39	32	0250.70.223	15	4	0370.72.020	28	18	0664.39.727	37	28
0000.36726	39	7	0000.62729	23	9	0250.70.223	47	14	0370.98.610	33	20	0664.39.741	37	29
0000.36726	43	14	0000.62729	36	5	0251.47.050	3	1	0400.09.050	2	21	0665.49.680	5	8
0000.40427	30	2	0000.63150	39	13	0251.47.054	3	1	0400.17.030	4	26	0670.16.145	3	7
0000.41039	17	10	0000.63150	43	9	0272.91.090	2	8	0400.29.040	8	14	0670.16.150	3	3
0000.44099	19	6	0000.63150	44	8	0272.91.090	29	10	0400.29.125	2	34	0670.16.155	3	19
0000.44240	15	2	0000.63161	43	10	0361.98.850	47	18	0400.29.126	2	34	0670.16.163	3	11
0000.44240	37	23	0000.63161	44	7	0364.99.015	33	17	0400.49.240	11	14	0670.16.164	3	11
0000.44240	39	12	0000.64471	38	3	0364.99.020	44	3	0400.49.240	5	13	0670.16.164	3	15
0000.44240	47	6	0000.66181	28	15	0364.99.710	34	14	0419.50.045	42	19	0670.16.165	3	15
0000.46664	27	3	0000.66526	31	24	0370.39.780	37	37	0419.50.115	42	16	0670.16.170	3	26
0000.46664	28	3	0000.66527	31	29	0370.49.250	10	22	0504.03.085	2	5	0670.16.171	3	26
0000.55698	32	13	0000.69282	37	32	0370.69.850	20	23	051.2.001.1A	1	19	0670.16.184	3	15
0000.55698	44	19	0000.70139	1.1	4	0370.69.855	21	9	0619.47.030	6	12	0670.16.185	3	15
0000.56443	32	3	0000.79672	23	2	0370.69.860	20	35	0619.49.240	7	12	0670.49.310	9	26
0000.56443	40	23	0000.79673	23	3	0370.69.865	21	13	0619.50.065	12	17	0670.49.910	9	21
0000.56803	31	25	0011.52.010	10	23	0370.69.910	20	4	0647.29.040	12	15	0670.92.010	10	8
0000.59056	37	4	0011.52.010	11	21	0370.69.910	21	3	0647.92.170	4	27	0675.03.210	1	2
0000.60283	22	14	00B0.55703	41	24	0370.69.920	20	3	0659.16.555	4	1	0675.49.530	32	25
0000.61078	27	12	00C0.05893	41	4	0370.69.920	21	2	0660.13.060	2	19	0675.49.540	15	24
0000.62648	38	4	0124.40.050	12	9	0370.69.930	20	21	0660.13.070	2	13	0675.49.540	31	31
0000.62651	29	6	0124.40.060	8	15	0370.69.930	21	7	0660.13.143	2	9	0675.49.540	5	21
0000.62652	29	8	0150.70.120	5	17	0370.69.940	20	22	0660.13.165	2	25	0691.91.030	31	33
0000.62652	36	4	0150.70.120	9	28	0370.69.940	21	8	0660.16.145	4	21	0755.29.025	6	10
0000.62705	25	12	0150.92.280	2	5	0370.69.970	20	31	0660.47.040	6	13	0755.29.025	8	32

INDEX

CODE No.	Drwg.	POS. N.	CODE No.	Drwg.	POS. N.	CODE No.	Drwg.	POS. N.	CODE No.	Drwg.	POS. N.	CODE No.	Drwg.	POS. N.
0755.49.265	10	2	148.1.001.1A	14	9	174.1.025.1A	9	12	235.2.021.1AB	14	23	254.1.001.1A	11	25
0759.49.280	9	15	148.1.002.1A	14	7	174.2.025.3A	9	1	240.1.001.1AA	15	14	254.4.001.1A	5	4
0765.92.205	2	21	148.1.004.1A	14	14	176.1.001.1A	12	6	240.1.014.1A	15	19	255.1.004.1A	14	3
0797.69.040	14	2	148.1.035.1A	14	13	176.1.009.1A	12	10	240.1.015.1A	15	20	255.1.004.1A	8	18
0797.69.040	8	20	149.1.024.1A	3	25	180.1.001.1A	2	11	242.2.038.1BB	11	13	264.4.018.1A	11	1
0797.72.068	19	7	150.2.005.1A	3	27	180.1.002.1A	2	12	243.1.025.1AD	5	1	270.4.001.1A	12	1
0797.72.068	22	11	150.2.006.1A	3	2	180.1.008.1A	2	24	243.2.004.1BB	5	6	276.1.025.1B	12	16
0799.13.110	2	20	150.2.035.1A	3	16	182.2.010.1A	2	18	245.1.018.2AB	8	4	280.4.005.1A	16	17
0803.77.010	38	20	153.1.005.1A	25	31	184.1.001.1A	37	11	245.1.019.2AB	8	5	282.4.019.1A	16	1
0905.49.960	9	20	158.2.006.1D	6	5	190.2.001.3A	4	8	245.1.020.1AB	8	3	283.4.003.1A	42	25
112.1.007.1BA	6	8	160.1.049.1A	38	18	194.2.001.1B	4	12	245.1.021.1AB	8	1	284.4.001.1B	16	14
112.1.007.1BB	6	8	160.1.057.1A	12	13	195.4.002.1A	28	31	245.1.022.1AB	8	2	285.4.003.1A	31	8
117.1.025.2A	37	13	160.9.057.1A	42	1	195.4.003.1A	4	22	246.1.009.1B	23	22	286.4.012.1A	31	15
117.1.033.1A	20	8	162.1.001.1B	4	7	196.1.001.1B	4	10	246.1.056.1A	33	21	287.4.014.1A	23	11
117.2.002.1A	19	21	170.2.020.1B	4	17	198.1.027.1A	4	13	247.1.002.1BC	11	23	287.4.024.1B	16	11
117.2.006.1A	4	29	171.2.020.2B	8	13	208.1.001.5A	13	19	247.1.020.1AA	14	11	287.4.027.1A	16	16
120.2.059.1A	7	10	172.1.002.1B	3	10	208.1.002.5A	13	18	247.1.020.1AB	7	7	287.4.028.1A	16	10
121.1.003.1A	7	2	172.1.003.1A	3	8	209.1.001.5A	13	15	247.1.079.1A	15	22	287.4.029.1A	16	15
121.1.038.1A	7	3	172.1.004.1A	3	5	209.1.002.5A	13	14	247.1.080.1A	15	16	287.4.040.1A	31	19
121.2.003.1A	7	4	172.1.005.1A	3	9	210.2.004.2A	13	5	247.1.083.1AE	11	2	300182	32	16
122.2.030.1B	7	1	172.1.006.1B	3	18	211.2.004.2A	13	7	247.1.089.1AB	15	23	301.2.063.2A	13	1
135.1.013.1B	33	2	172.1.007.1B	3	24	220.3.208.3A	9	16	247.1.090.1AB	15	21	303.1.001.2A	13	2
135.1.014.1B	33	3	172.1.008.1A	3	22	225.2.041.1A	10	1	247.1.104.1A	9	2	303.1.001.2AB	13	2
135.1.015.1A	33	22	172.1.009.1A	3	21	235.2.002.1AA	15	9	247.1.114.1AB	11	31	303.1.001.2AC	13	2
140.1.001.2A	15	1	172.1.010.1A	3	20	235.2.017.1AB	14	22	247.2.105.2A	41	25	303.1.001.2AD	13	2
146.2.017.1A	6	1	172.1.011.1A	3	23	235.2.018.1AB	14	21	250.2.030.3A	9	5	303.1.015.1A	13	3
147.1.014.1A	8	10	173.1.012.1A	12	20	235.2.020.1AB	14	24	251.2.001.4B	11	29	303.1.015.1AB	13	3

INDEX

CODE No.	Drwg.	POS. N.	CODE No.	Drwg.	POS. N.	CODE No.	Drwg.	POS. N.	CODE No.	Drwg.	POS. N.	CODE No.	Drwg.	POS. N.
303.1.015.1AC	13	3	349.2.010.1A	26	15	397.4.001.1A	32	7	420.2.006.2A	10	28	447.1.031.1A	34	4
303.1.015.1AD	13	3	349.2.014.1A	26	10	400.2.019.1A	24	1	420.2.006.4A	10	26	449.1.027.2A	3	12
304.1.001.3B	13	4	360.1.014.1B	25	24	401.4.029.1A	24	21	425.4.004.1A	42	22	451.1.001.1A	8	29
304.1.001.3BB	13	4	360.1.015.1B	25	16	402.4.012.1A	24	2	426.1.007.1A	47	10	451.1.002.1A	8	28
304.1.001.3BC	13	4	365.2.027.1C	35	6	403.1.009.1A	24	6	427.1.003.1A	42	8	451.1.004.1A	8	23
304.1.002.2B	13	6	369.1.004.1A	34	8	404.1.005.1A	24	24	427.4.002.1A	42	20	451.1.007.1A	8	31
304.1.002.2BB	13	6	370.1.021.1B	34	10	407.4.001.1B	24	23	430.4.004.1A	42	12	451.1.010.1A	8	25
304.1.002.2BC	13	6	372.2.008.1A	35	1	407.4.002.1A	24	4	433.1.164.1A	48	4	451.1.021.1A	8	6
340.2.069.1B	26	1	373.1.023.1A	34	21	408.1.010.1A	24	18	433.1.165.1A	48	1	455.2.003.1A	2	4
340.2.070.1B	26	4	373.1.028.1B	34	20	408.1.011.1A	24	3	433.1.166.1A	48	2	456.1.006.1A	20	12
341.1.028.1A	25	23	373.1.029.1B	34	17	417.6.075.9A	5	3	433.1.170.1A	48	3	456.2.009.1A	20	16
342.2.015.1B	25	3	386.4.006.1A	31	26	417.7.007.1A	39	30	433.1.172.1A	48	5	457.2.008.1A	37	6
347.1.014.1A	26	6	386.4.013.1A	20	37	417.9.030.6A	20	9	433.1.179.1A	31	17	460.1.062.1A	20	25
349.1.064.1A	26	8	387.4.002.1A	31	27	417.9.030.8A	25	1	433.1.230.1A	34	5	460.1.063.1A	21	16
349.1.065.1A	26	9	389.4.005.1A	31	2	417.9.050.6A	12	3	433.1.238.1A	23	23	460.1.070.1A	43	26
349.1.095.1A	26	2	389.4.006.1A	23	21	417.9.050.6A	32	5	436.1.021.1A	40	32	460.1.071.1A	43	22
349.1.096.1A	26	16	389.4.007.1A	23	21	417.9.090.1A	35	14	436.1.021.1AB	40	32	460.1.072.1A	43	20
349.1.097.1A	26	7	389.4.007.1A	31	23	420.2.000.7A	7	16	437.1.107.1AA	44	26	460.1.073.1A	24	28
349.1.098.1A	26	11	389.4.008.1A	23	21	420.2.000.8A	2	5	437.1.107.1AB	44	26	460.1.074.1A	24	11
349.1.101.1A	26	18	389.4.010.1A	23	21	420.2.000.8A	37	22	437.1.112.1AA	44	2	460.1.076.1A	25	35
349.1.102.1A	26	20	389.4.013.1A	31	23	420.2.001.0A	11	32	437.1.112.1AB	44	2	460.1.080.1A	39	33
349.1.103.1A	26	21	389.4.014.1A	23	21	420.2.001.0A	27	17	437.1.114.1AA	44	27	460.1.088.1A	19	2
349.1.109.1A	26	17	390.4.003.1A	39	16	420.2.001.0A	28	8	437.1.114.1AB	44	27	462.3.003.7A	2	31
349.1.110.1A	26	24	390.4.005.1A	43	2	420.2.001.0A	36	15	438.1.096.1AA	46	1	462.3.003.8A	11	7
349.1.111.1A	26	22	390.4.007.1A	23	16	420.2.001.0A	37	26	438.1.096.1AB	46	1	462.3.003.8A	2	29
349.1.112.1A	26	3	390.4.008.1A	23	15	420.2.001.0A	41	21	442.2.008.1A	33	6	462.4.037.6A	9	11
349.1.120.1A	26	23	395.4.013.1A	32	17	420.2.001.0A	42	6	447.1.030.1A	34	13	462.4.037.8A	8	12

INDEX

CODE No.	Drwg.	POS. N.	CODE No.	Drwg.	POS. N.	CODE No.	Drwg.	POS. N.	CODE No.	Drwg.	POS. N.	CODE No.	Drwg.	POS. N.
462.4.037.8A	9	9	482.1.027.1BA	40	18	510.1.142.1B	31	1	539.4.003.1B	37	15	564.1.023.1AD	44	18
463.2.053.7A	4	15	482.1.027.1BD	40	18	510.1.147.1A	23	14	539.4.004.1B	28	5	564.1.023.1AE	44	18
463.4.026.9A	4	16	482.1.027.1BE	40	18	510.2.003.1A	42	28	539.4.030.1A	5	16	564.3.023.1A	44	18
463.4.047.7A	5	18	482.1.028.1BA	40	21	513.1.008.2D	32	18	540.4.011.1C	23	10	565.1.021.1A	34	16
463.7.022.6A	4	18	482.1.028.1BD	40	21	514.1.016.2A	32	2	541.4.003.1A	23	31	565.1.022.2A	40	22
470.1.039.1BA	19	1	482.1.028.1BE	40	21	514.1.017.2A	32	4	541.4.003.1A	31	22	570.1.035.1A	17	7
470412	16	9	482.3.021.1A	40	28	516.4.001.1AB	31	6	546.1.097.1A	31	16	571.1.035.1A	17	5
480.1.058.1CA	44	1	482.3.022.1A	40	29	520.4.011.2B	23	1	548.4.019.1A	29	1	573.1.045.1A	17	11
480.1.058.1CD	44	1	484.1.024.1AA	43	5	523.4.006.1AA	43	24	548.4.023.1B	36	1	574.1.045.1A	17	4
480.1.058.1CE	44	1	484.1.024.1AD	43	5	523.4.006.1AD	43	24	550.4.008.1A	29	4	576.1.028.1A	17	12
480.1.059.2AA	44	9	484.1.024.1AE	43	5	523.4.006.1AE	43	24	552.1.003.2A	41	12	576.1.029.1A	17	2
480.1.059.2AD	44	9	484.1.025.1AA	44	16	523.4.007.1AA	43	19	552.4.002.1A	23	27	585.1.019.1C	33	18
480.1.059.2AE	44	9	484.1.026.1AA	44	20	523.4.007.1AD	43	19	552.4.012.1A	23	24	585.1.020.1A	30	1
480.1.060.1CA	44	25	484.1.029.1B	42	10	523.4.007.1AE	43	19	552.4.013.1A	30	9	585.4.001.1A	37	20
480.1.060.1CD	44	25	484.1.034.1A	44	12	525.1.004.2A	39	24	552.4.020.1A	11	38	586.1.029.1BA	41	1
480.1.060.1CE	44	25	484.1.034.1AD	44	12	525.4.010.1A	39	15	552.4.028.1A	1.2	15	586.1.029.1BD	41	1
480.1.061.2AA	44	24	484.1.034.1AE	44	12	529.1.006.1A	39	25	553.4.003.1A	30	19	586.1.029.1BE	41	1
480.1.061.2AD	44	24	484.3.024.1A	43	5	529.1.008.1AB	44	28	555.1.005.1A	18	3	590.1.058.1A	42	24
480.1.061.2AE	44	24	484.3.034.1A	44	12	529.4.005.1A	46	6	555.1.006.1B	18	4	590.1.059.1A	42	21
480.3.058.1A	44	1	487.1.014.1A	43	27	530.4.003.1B	39	6	555.1.007.1A	18	2	590.1.080.1A	16	12
480.3.059.1A	44	9	492.4.003.2A	38	24	530.4.004.1B	39	23	556.1.017.1C	18	14	590.1.085.1A	41	9
480.3.060.1A	44	25	492.4.024.1A	38	10	530.4.005.1A	43	16	556.1.018.1C	18	15	590.1.091.1A	42	23
480.3.061.1A	44	24	494.1.068.3E	38	15	530.4.006.1A	43	15	556.2.020.1B	18	16	590.1.092.1A	42	14
481.1.016.1BA	43	1	497.2.001.2A	38	8	532.4.002.1A	39	18	559.1.005.1A	40	1	590.1.102.1A	47	17
481.1.016.1BD	43	1	501.2.019.1AF	38	7	538.4.005.1A	23	33	561.1.013.1A	39	29	590.1.103.1A	16	4
481.1.016.1BE	43	1	502.2.017.2AB	38	23	539.1.021.1A	2	6	561.1.019.1A	39	27	590.1.124.1A	16	7
481.3.016.1A	43	1	510.1.108.1A	39	21	539.1.023.1A	18	13	564.1.023.1AA	44	18	590.1.172.1A	47	13

INDEX

CODE No.	Drwg.	POS. N.	CODE No.	Drwg.	POS. N.	CODE No.	Drwg.	POS. N.	CODE No.	Drwg.	POS. N.	CODE No.	Drwg.	POS. N.
590.1.173.1A	47	12	60N102511	30	15	625.4.006.1A	37	27	677.4.003.1A	1.1	12	701.4.006.1A	35	3
590.1.174.1A	47	2	60N102511	8	9	626.1.003.1A	27	2	680.1.001.1B	9	7	701.4.007.1A	12	21
590.1.175.1A	47	11	60N102557	25	7	626.1.003.1A	28	2	680.1.003.1H	14	15	702.4.004.1A	25	6
593.1.003.1B	10	30	60N102584	34	9	626.4.010.1A	27	4	680.1.007.1A	14	27	702.4.009.1A	11	11
593.1.018.1A	9	29	60N107335	14	17	626.4.010.1A	28	20	684.1.014.1B	7	13	702.4.010.1A	11	9
595.1.034.1A	40	16	60N107335	15	13	630.4.006.1A	27	1	684.1.022.1B	24	7	702.5.001.1A	8	24
598.2.017.2A	19	18	60N107335	39	22	631.4.004.1A	28	9	684.1.026.1A	33	23	702.5.008.1A	10	20
598.2.019.1A	39	5	60N107335	4	28	631.4.008.1A	27	5	697.2.011.1A	40	25	702.5.008.1A	11	4
598.4.011.1A	25	8	60N107335	7	17	631.4.008.1A	28	21	698.1.015.1A	46	7	702.5.016.1A	4	14
598.4.015.1A	40	33	60N107335	8	8	632.1.013.2B	27	18	698.1.016.1A	46	10	702.5.019.1A	10	12
60N101079	10	15	60N115062	37	9	650.4.006.1B	25	25	698.1.021.1BA	46	2	703.1.013.1A	25	34
60N101079	11	6	60N115503	25	21	651.4.008.1A	25	14	698.1.021.1BD	46	2	70610.8120	4	11
60N102488	24	5	60N115548	39	19	652.4.004.2A	25	9	698.1.021.1BE	46	2	70620.5212	11	40
60N102504	7	15	610.4.011.2C	28	26	654.2.003.1A	25	30	698.1.022.1BA	46	11	70620.5212	24	13
60N102505	36	11	610.4.012.2C	28	7	655.2.001.1A	25	18	698.1.022.1BD	46	11	70700.6N02	27	10
60N102505	37	21	611.4.009.1A	37	36	656.1.024.1A	25	26	698.1.022.1BE	46	11	70700.6N02	28	19
60N102509	2	28	612.4.005.1A	27	21	656.2.012.1A	25	15	698.1.023.1A	46	4	70780.6516	14	10
60N102509	5	2	612.4.008.1A	28	12	658.4.002.1B	25	29	698.1.024.1A	46	13	70780.6516	7	6
60N102510	11	19	612.4.008.1A	37	40	668.1.001.2A	11	16	698.1.025.1A	46	9	70914.2121	17	14
60N102510	12	5	612.4.014.1A	28	4	669.1.001.1E	13	10	698.1.026.1A	46	8	710.1.001.1A	9	13
60N102510	15	26	612.4.016.1A	37	39	670.4.012.1A	31	32	698.1.027.1A	46	12	710.1.002.1A	4	23
60N102510	31	3	612.4.017.1A	28	10	671.1.009.1A	31	14	700.1.005.1A	38	21	710.1.025.1A	35	4
60N102510	5	5	613.4.021.1A	37	38	671.1.010.1A	31	10	700.1.023.2A	31	12	710.1.041.1B	38	17
60N102510	8	7	613.4.021.1B	28	25	672.1.019.1A	23	18	700.1.024.1A	40	20	710.1.046.1A	35	12
60N102510	9	10	618.4.032.2D	28	23	672.1.022.1A	23	17	700.1.025.1A	40	19	710.1.057.1A	35	8
60N102511	11	15	619.4.015.2C	37	30	676.2.033.1A	34	11	701.4.003.1A	12	19	710.1.069.1A	10	27
60N102511	19	15	624.4.012.1B	28	1	676.4.023.1A	34	15	701.4.005.1A	3	4	710.1.070.1A	10	21

INDEX

CODE No.	Drwg.	POS. N.	CODE No.	Drwg.	POS. N.	CODE No.	Drwg.	POS. N.	CODE No.	Drwg.	POS. N.	CODE No.	Drwg.	POS. N.
711.1.083.1A	17	16	716.1.022.1A	24	14	734306N01	5	22	741.4.004.1A	41	10	748.4.002.1A	19	16
711.1.084.1A	30	21	716.1.022.1A	32	10	73500.0624	37	3	741.4.004.1A	42	13	748.4.002.7A	17	3
711.1.095.1A	10	34	716.1.022.1A	33	9	73500.0827	20	17	741.4.013.1B	47	16	748.4.024.1A	38	12
712.1.013.1A	41	5	716.1.022.1A	39	11	73500.0827	21	4	741.4.022.1A	15	7	749.4.045.2G	18	1
712.1.021.1A	6	6	716.1.038.1A	30	4	73500.1237	12	7	741.4.025.1A	30	8	749.4.045.2G	18	7
713.1.007.1A	14	5	716.1.038.1A	40	7	73500.1237	9	25	741.4.033.1A	36	10	749.5.001.1A	31	9
713.1.011.1A	3	15	716.1.043.1A	47	5	73500.1440	12	11	741.4.038.1A	31	30	749.5.001.1A	39	10
713.1.012.1B	4	31	716.1.053.1A	32	11	73500.1542	2	15	741.4.040.1A	16	5	749.5.001.1A	43	8
713.1.014.1A	3	11	72094.1616	10	10	73500.1747	8	27	741.4.041.1A	16	6	750.1.002.1B	4	25
713.1.014.1A	3	15	72121.2106	6	4	73500.2668	42	26	741.4.043.1A	27	14	750.1.012.2A	6	14
713.1.014.1B	3	11	72231.0871	44	10	73503.3075	5	11	741.4.043.1A	28	16	750.1.041.1A	35	15
713.1.014.1E	3	11	72237.0657	43	12	73503.3380	10	18	741.4.043.1A	37	17	750.1.042.1A	41	17
713.1.014.1E	3	15	72237.0657	46	3	73503.3380	11	17	741.4.055.1A	30	22	750.5.001.1A	2	23
713.1.014.1F	3	11	72237.0974	42	17	73503.3380	15	10	741.4.057.1A	47	1	750.5.001.1A	31	11
713.1.097.1B	38	13	72237.0974	46	5	73503.3380	8	26	741.4.058.1A	47	20	75113.2566	4	20
713.1.098.1A	38	22	72465.0214	28	30	73503.3449	42	5	741.4.059.1A	47	21	75120.1747	14	26
713.1.118.1A	11	10	72944.1542	14	1	73503.3683	14	18	741.4.063.1A	47	19	75143.3380	10	32
713.1.126.1A	43	18	72944.1542	8	21	736.4.013.1B	44	23	74172.1008	14	8	75162.2566	38	5
713.1.127.1A	43	23	729908FN1	22	9	737.4.010.2B	8	22	74172.1008	6	16	75162.3075	38	16
713.1.128.1B	11	27	729908FN1	8	30	741.1.012.1A	39	31	74172.1008	8	16	75191.3380	10	33
713.1.129.1A	40	13	732.1.005.1A	40	27	741.1.013.1A	19	3	74223.1045	33	12	75791.1747	10	9
713.1.130.1A	45	5	732.2.006.1A	39	3	741.1.013.1A	47	3	74224.0570	4	24	75794.1542	10	17
713.1.140.1A	10	14	73270.8001	17	13	741.1.017.1A	17	6	74224.0570	6	7	75794.1542	15	11
713.1.166.1A	8	17	734005N01	11	39	741.4.001.1A	30	7	747.1.006.1A	35	17	758.1.019.1A	22	7
714.1.028.1A	38	6	734006N01	12	2	741.4.002.1A	30	12	747.5.001.1A	20	7	759.1.015.1A	40	31
715.1.004.1A	35	9	734006N01	32	6	741.4.002.1A	33	15	748.1.014.1B	38	1	760.1.003.1A	33	11
716.1.022.1A	23	6	734305N01	40	12	741.4.002.1A	7	19	748.1.023.1A	34	1	760.1.015.1A	40	8

INDEX

CODE No.	Drwg.	POS. N.	CODE No.	Drwg.	POS. N.	CODE No.	Drwg.	POS. N.	CODE No.	Drwg.	POS. N.	CODE No.	Drwg.	POS. N.
76266.2668	10	4	766.4.012.1A	15	3	771.5.136.2B	10	24	772.5.023.1A	43	17	779.1.007.2A	6	9
76267.0012	9	24	76835.1134	2	10	771.5.141.2B	22	8	772.5.024.1A	19	10	779.1.037.1A	34	22
76270.0827	3	29	770.5.619.2B	40	11	771.5.667.2B	27	6	772.5.024.1A	20	19	779.1.039.1A	2	3
763106N01	20	5	771.1.008.1A	35	11	771.5.667.2B	28	24	772.5.024.1A	22	12	779.1.058.1A	36	14
763106N01	41	18	771.1.009.1A	35	10	771.5.667.2B	40	6	772.5.024.1A	23	5	779.1.058.2A	27	16
764.1.001.1A	17	15	771.1.010.1A	10	36	771.5.721.2B	31	5	772.5.024.1A	25	20	779.1.058.2A	28	11
764.1.002.1A	13	8	771.4.006.1A	11	37	771.5.721.2B	38	9	772.5.024.1A	37	12	779.1.058.2A	37	25
764.1.003.1B	4	6	771.5.002.1A	45	4	771.5.723.2B	38	25	772.5.024.1A	39	26	779.1.059.1A	29	5
764.1.010.1A	19	20	771.5.004.2B	34	18	771.5.724.2B	37	35	772.5.025.1A	19	14	779.1.082.2A	27	19
764.1.011.2A	37	5	771.5.025.2B	31	7	771.5.725.2B	20	2	772.5.025.1A	28	27	779.1.083.1A	36	8
764.1.016.1A	23	28	771.5.040.2B	11	5	771.5.725.2B	21	5	772.5.025.1A	29	3	779.1.084.1A	32	8
764.1.019.1A	41	23	771.5.040.2B	41	14	771.5.725.2B	25	22	772.5.025.1A	32	20	779.1.086.1B	36	13
764.1.023.1A	40	26	771.5.043.2B	22	3	771.5.754.2B	18	8	772.5.025.1A	41	6	779.1.088.1A	23	20
764.1.024.1A	36	3	771.5.043.2B	39	28	771.5.754.2B	37	14	775.1.006.1A	32	19	779.1.088.1A	33	5
764.1.029.1A	47	7	771.5.043.2B	4	4	771.5.937.2B	35	7	775.1.008.1A	40	17	779.1.088.1A	40	3
764.4.003.1A	23	4	771.5.045.7E	41	15	771.5.938.2B	35	5	775.1.008.2A	44	14	779.1.089.1A	44	17
764.4.005.1A	31	28	771.5.064.2B	11	3	772.5.004.1A	20	24	775.1.011.1A	43	11	779.1.092.1A	27	7
764.5.018.1A	24	25	771.5.066.2B	11	20	772.5.004.1A	21	17	775.1.011.1A	44	6	779.1.092.1A	28	17
76400.0004	10	3	771.5.072.2B	10	19	772.5.004.1A	25	36	775.5.002.1A	45	6	779.1.099.1A	25	2
76401.0002	20	10	771.5.072.2B	30	16	772.5.008.1A	45	3	776.4.002.1A	24	19	779.1.109.1A	6	2
76401.0003	20	6	771.5.072.2B	5	19	772.5.023.1A	22	6	776.5.032.2A	15	5	779.1.116.1A	24	26
76401.0009	35	18	771.5.073.2B	11	36	772.5.023.1A	25	28	776.5.307.2A	28	29	779.1.116.1A	43	21
76401.0010	35	13	771.5.078.2B	12	12	772.5.023.1A	29	9	777.5.002.1A	20	20	779.1.119.2A	34	3
76402.0002	3	17	771.5.078.2B	5	20	772.5.023.1A	30	3	777.5.002.1A	21	6	779.1.157.1A	23	26
765.1.001.1A	20	15	771.5.080.2B	10	31	772.5.023.1A	32	15	777.5.007.2B	43	4	779.1.159.1A	20	26
766.1.014.1A	10	6	771.5.122.2B	2	30	772.5.023.1A	33	8	777.5.049.2CB	11	24	779.1.162.1A	9	27
766.4.012.1A	14	6	771.5.129.2B	9	8	772.5.023.1A	39	1	777.5.210.2A	25	17	779.1.170.1A	42	2

INDEX

CODE No.	Drwg.	POS. N.	CODE No.	Drwg.	POS. N.	CODE No.	Drwg.	POS. N.	CODE No.	Drwg.	POS. N.	CODE No.	Drwg.	POS. N.
779.1.182.1A	10	29	788.1.066.1AA	11	41	800.1.008.1A	7	18	8000.70133	26	14	821.1.002.1A	13	20
779.1.198.1A	9	23	788.1.066.1AB	11	41	800.1.033.1A	30	17	8000.70178	25	13	821.1.003.1A	13	17
779.1.203.1A	2	7	788.1.066.1AC	11	41	800.1.048.1A	30	13	8000.73456	37	31	821.1.004.1A	13	12
779.1.213.1A	19	11	790.1.001.1A	17	1	800.1.049.1A	30	6	8000.74049	38	2	821.1.009.1B	38	19
779.4.005.1A	18	12	791.1.012.1A	41	26	800.1.053.1A	30	18	8000.74507	39	8	821.1.028.2B	41	8
779.5.001.1A	44	5	791.1.017.1A	16	19	800.1.054.1A	30	20	8000.77921	41	20	821.1.052.1A	37	7
779.5.001.1A	47	9	791.1.034.1A	41	16	8000.18048	23	7	802.1.015.1A	16	18	821.1.054.1A	23	19
779.5.001.1A	9	6	791.2.024.1A	7	5	8000.18048	24	8	806.1.011.1AA	39	2	821.1.070.1A	2	17
779.5.011.1A	20	11	799.1.014.1A	13	16	8000.18048	33	10	806.1.011.1AD	39	2	821.1.073.1A	25	10
779.5.012.1A	17	17	799.1.015.1A	13	13	8000.18048	39	14	806.1.011.1AE	39	2	821.1.075.1A	24	10
779.5.012.1A	25	19	799.1.024.1A	20	32	8000.42278	24	12	806.1.012.1A	20	27	821.1.081.1A	39	17
779.5.012.1A	25	32	799.1.024.1A	21	12	8000.56359	19	9	806.1.013.1A	20	36	821.1.096.1A	37	10
779.5.020.1A	9	3	799.1.025.1A	2	27	8000.56359	32	9	808.1.018.1A	43	3	824.1.039.1A	20	1
780.1.007.1A	17	8	799.1.049.1A	2	1	8000.56391	41	13	808.1.019.1A	40	9	824.1.040.1B	21	1
780.1.008.1A	42	7	799.1.051.2A	6	15	8000.56443	27	13	80A0.06385	31	13	824.1.041.1C	20	30
780.1.018.1A	9	31	799.1.052.1A	16	8	8000.56741	24	22	80A0.53548	20	18	824.1.042.1C	21	15
780.5.001.1A	11	33	799.1.055.1A	9	30	8000.56742	24	20	814.1.002.1AB	7	14	825.1.022.1A	37	34
786.1.054.2A	7	11	799.1.058.1A	25	33	8000.56747	24	17	814.1.053.1AB	30	14	826.1.003.1A	10	11
786.1.060.1A	7	9	799.1.069.1A	18	5	8000.56748	24	16	814.1.063.1AB	30	11	826.1.009.1A	2	33
787.1.005.1A	36	12	799.1.070.1A	18	6	8000.56752	24	15	814.1.065.1A	42	4	826.1.011.1A	3	13
788.1.002.2A	15	6	799.1.071.1A	20	29	8000.59056	20	14	814.1.066.1A	42	29	827.1.012.1A	44	15
788.1.007.3A	15	15	799.1.072.1A	17	9	8000.59572	23	13	814.1.091.2A	47	15	827.1.045.1A	20	34
788.1.050.1A	15	17	799.1.083.1A	37	41	8000.66774	25	27	815.1.022.1A	10	25	827.1.045.1A	21	10
788.1.052.1A	5	7	799.1.088.1A	18	10	8000.67981	37	8	818.2.009.1A	4	3	827.1.061.1A	40	4
788.1.053.1A	15	18	799.1.089.1A	18	9	8000.68490	28	14	819.1.017.1A	38	11	827.1.071.1A	32	12
788.1.054.1A	12	4	799.2.077.2A	9	14	8000.69069	36	2	819.1.030.1A	34	2	827.1.077.1A	32	1
788.1.056.1A	11	30	800.1.007.1A	7	20	8000.70127	26	12	821.1.001.1A	2	26	827.1.089.1A	23	12

INDEX

CODE No.	Drwg.	POS. N.	CODE No.	Drwg.	POS. N.	CODE No.	Drwg.	POS. N.	CODE No.	Drwg.	POS. N.	CODE No.	Drwg.	POS. N.
827.1.090.1A	23	25	829.1.174.1AB	22	5	840.1.003.1A	13	11	840.1.030.1A	13	11	840.9.002.1B	13	11
827.1.121.1A	19	13	829.1.175.2AB	22	10	840.1.004.1A	13	11	840.1.031.1A	13	11	841.1.001.1C	44	4
827.1.122.1A	25	11	829.1.177.1A	24	9	840.1.005.1A	13	11	840.1.032.1A	13	11	841.1.002.2A	4	2
827.1.123.1AB	33	1	829.1.179.1AB	22	15	840.1.006.1A	13	11	840.1.033.1A	13	11	847.4.002.1A	20	33
827.1.124.1AB	33	4	829.1.183.1A	23	32	840.1.007.1A	13	11	840.1.034.1A	13	11	847.4.002.1A	21	11
827.1.130.1A	43	7	829.1.184.1A	37	1	840.1.008.1A	13	11	840.1.051.1B	13	9	850.1.003.1A	44	21
827.1.131.1A	43	6	829.1.186.1A	41	11	840.1.009.1A	13	11	840.1.052.1B	13	9	850.4.013.1A	43	28
827.1.139.1B	18	11	829.1.190.1A	23	30	840.1.010.1A	13	11	840.1.053.1B	13	9	850.4.016.1A	40	14
827.1.157.1A	47	8	829.1.190.1A	31	21	840.1.011.1A	13	11	840.1.054.1B	13	9	850.4.031.1A	42	9
827.1.162.1A	43	25	829.1.204.1A	22	13	840.1.012.1A	13	11	840.1.055.1B	13	9	851.1.001.1B	4	9
827.1.166.1A	23	34	829.1.205.1A	45	2	840.1.013.1A	13	11	840.1.056.1B	13	9	851.4.001.1A	4	5
827.1.192.1A	20	38	829.1.206.1A	45	1	840.1.014.1A	13	11	840.1.057.1B	13	9	852.1.001.1A	34	12
827.1.195.1A	32	21	829.1.207.1A	47	4	840.1.015.1A	13	11	840.1.058.1B	13	9	852.1.002.1A	34	12
827.1.215.1A	32	24	829.1.208.1A	28	28	840.1.016.1A	13	11	840.1.059.1B	13	9	852.1.003.1A	34	12
827.2.003.1A	29	7	829.1.217.1A	31	4	840.1.017.1A	13	11	840.1.060.1B	13	9	852.1.005.1A	2	14
827.2.134.1A	41	7	829.1.240.1A	28	22	840.1.018.1A	13	11	840.1.061.1B	13	9	852.1.008.1A	5	10
829.1.073.3A	37	24	829.1.241.1A	27	9	840.1.019.1A	13	11	840.1.062.1B	13	9	852.1.024.1A	24	27
829.1.077.2B	42	11	829.1.245.1A	15	25	840.1.020.1A	13	11	840.1.063.1B	13	9	852.1.053.1A	2	2
829.1.104.1A	42	18	829.1.291.1A	32	23	840.1.021.1A	13	11	840.1.064.1B	13	9	852.1.053.1A	20	13
829.1.127.1A	31	20	829.4.001.1A	40	5	840.1.022.1A	13	11	840.1.065.1B	13	9	852.1.054.1A	37	2
829.1.129.1A	33	13	830.1.040.1B	19	8	840.1.023.1A	13	11	840.1.066.1B	13	9	852.1.075.1A	44	22
829.1.136.1A	39	34	830.1.121.1A	16	13	840.1.024.1A	13	11	840.1.067.1B	13	9	852.1.079.1A	34	19
829.1.167.2AB	22	4	830.1.131.1A	41	22	840.1.025.1A	13	11	840.1.068.1B	13	9	852.1.094.1A	2	19
829.1.168.1AB	22	1	830.1.144.1A	11	35	840.1.026.1A	13	11	840.1.069.1B	13	9	852.1.098.1A	42	3
829.1.169.1AB	19	5	830.1.172.1A	16	3	840.1.027.1A	13	11	840.1.070.1B	13	9	852.1.103.1A	25	4
829.1.170.1AB	19	4	840.1.001.1A	13	11	840.1.028.1A	13	11	840.1.071.1B	13	9	852.1.104.1A	6	11
829.1.172.1B	32	22	840.1.002.1A	13	11	840.1.029.1A	13	11	840.9.001.1A	13	9	852.1.104.1B	6	11

INDEX

CODE No.	Drwg.	POS. N.	CODE No.	Drwg.	POS. N.	CODE No.	Drwg.	POS. N.	CODE No.	Drwg.	POS. N.	CODE No.	Drwg.	POS. N.
852.1.104.1C	6	11	856.1.002.1A	14	4	875.1.055.1A	36	6	886.5.001.1A	42	15	88713.1079	1	17
852.1.104.1D	6	11	856.1.002.1A	8	19	876.1.066.1A	33	16	886.5.004.1A	16	20	88713.1091	1	23
852.1.104.1E	6	11	856.1.025.1A	10	7	876.1.069.1A	33	19	886.5.011.1A	42	27	88713.1093	1	26
852.1.104.1F	6	11	856.1.031.1A	3	30	877.1.040.1A	23	29	88700.5644	1	1	88713.1097	1.1	1
852.1.104.1G	6	11	856.1.040.1A	40	30	877.1.050.1A	37	16	88700.5665	1	30	88713.1139	1	3
852.1.104.1H	6	11	856.1.040.1A	44	13	877.1.068.1A	28	13	88700.5749	1	24	88713.1140	1.1	2
852.1.104.1I	6	11	856.1.049.1A	8	19	877.1.069.1A	27	15	88713.0123	1	6	88713.1309	1	10
852.1.104.1J	6	11	856.1.050.1A	8	19	877.2.002.1A	33	7	88713.0137	1	12	88713.1332	1	29
852.1.104.1K	6	11	861.5.003.1A	20	28	881.1.010.1C	12	18	88713.0144	1	28	88713.1344	1.1	3
852.1.104.1L	6	11	863.1.002.1A	12	14	881.1.012.1A	2	32	88713.0146	1	25	88713.1419	1	22
852.1.104.1M	6	11	866.1.029.1A	41	19	881.1.027.2A	22	2	88713.0844	1	16	88713.1502	1	31
852.1.104.1N	6	11	866.1.030.1A	40	15	881.1.030.1A	5	23	88713.0847	1	21	88713.1515	1.1	7
852.1.105.1AB	3	26	866.1.031.1A	32	14	881.2.001.1A	4	19	88713.0862	1	11	88765.0968	1	27
852.1.105.1AD	3	26	866.1.034.1A	19	19	882.1.003.1A	8	11	88713.0869	1	32	88765.0978	1	20
852.1.105.1AG	3	26	872.1.019.1A	34	6	882.1.006.1A	2	16	88713.0870	1	33	88765.1001	1	14
852.1.108.1AH	3	1	872.1.022.1A	40	2	884.1.005.1A	26	5	88713.0874	1	7	88765.1068	1	15
852.1.108.1AL	3	1	872.1.026.1A	19	12	884.4.007.1A	34	7	88713.0875	1	9	88765.1068	1.1	13
852.1.108.1AN	3	1	872.1.027.1A	19	17	884.5.008.1A	38	14	88713.0879	1	8	88765.1069	1	15
852.1.111.1A	2	5	872.4.018.1A	31	18	884.5.010.1A	16	2	88713.0891	1	4	88765.1069	1.1	13
852.1.114.1A	11	34	872.4.022.1A	45	8	884.5.011.1A	11	8	88713.0957	1.1	6	88765.1070	1	15
852.1.120.1A	9	4	872.4.023.1A	45	9	886.4.001.1A	14	16	88713.0960	1.1	5	88765.1070	1.1	13
852.5.001.1A	39	9	873.1.001.1A	14	20	886.4.001.1A	15	8	88713.1010	1	18	88765.1071	1	15
852.5.002.1A	43	13	873.1.004.1A	14	19	886.4.003.1A	11	42	88713.1010	1.1	11	88765.1071	1.1	13
852.5.002.1A	44	11	873.1.037.1A	9	33	886.4.021.1A	42	30	88713.1058	1.1	9	88765.1072	1	15
852.5.003.1A	33	14	875.1.027.1A	36	9	886.4.022.1A	42	31	88713.1071	1.1	8	88765.1072	1.1	13
852.5.005.1A	9	18	875.1.038.1A	35	16	886.4.035.1A	11	22	88713.1072	1.1	10	88765.1073	1.2	21
856.1.001.1A	3	6	875.1.054.1A	36	7	886.4.037.1A	9	32	88713.1078	1	13	88765.1074	1.2	21





INDEX

CODE No.	Drwg.	POS. N.	CODE No.	Drwg.	POS. N.	CODE No.	Drwg.	POS. N.	CODE No.	Drwg.	POS. N.	CODE No.	Drwg.	POS. N.
88765.1075	1.2	21	894.2.009.1A	9	19	93785.1830	10	16						
88765.1076	1.2	21	895.1.004.1A	6	3	93823.0128	4	32						
88765.1077	1.2	21	895.4.001.2A	41	2	93823.2018	4	30						
88765.1126	1.2	6	8A00.67610	30	5	93823.2082	5	14						
88765.1126A	1.2	4	8A00.67997	3	14	93823.2087	14	12						
88765.1126B	1.2	12	8A00.67997	37	33	93823.2087	30	10						
88765.1126C	1.2	11	8A00.67997	39	4	93823.2087	7	8						
88765.1126D	1.2	14	8A00.69056	26	13	93823.3156	10	35						
88765.1126E	1.2	9	8A00.69056	28	6	93827.0114	5	12						
88765.1126F	1.2	13	8BB0.61070	45	7	93827.0114	9	22						
88765.1126G	1.2	17	8H00.67545	40	10	94247.0014	10	5						
88765.1126H	1.2	16	913.7.062.1B	40	24	94247.0014	11	12						
88765.1126L	1.2	19	914.7.023.1A	1.2	2	98112.0002	1	5						
88765.1126M	1.2	18	914.7.023.1B	1.2	2									
88765.1126N	1.2	7	914.7.023.1C	1.2	2									
88765.1126P	1.2	10	914.7.023.1D	1.2	2									
88765.1126Q	1.2	5	914.7.023.1E	1.2	2									
88765.1126R	1.2	3	930.1.004.1A	25	5									
88765.1126S	1.2	22	930.1.005.1A	26	19									
88765.1126T	1.2	23	930.5.005.1A	11	26									
88765.1126U	1.2	20	930.5.006.2B	11	28									
88765.1126V	1.2	8	93781.1824	35	2									
88765.1126Z	1.2	1	93783.0812	3	28									
893.1.003.1A	29	2	93783.1524	11	18									
893.1.005.1A	5	15	93783.1730	15	12									
893.4.005.1A	27	11	93783.2552	10	13									
893.4.005.1A	37	19	93784.2030	5	9									

Spare parts catalogue SPORT TOURING 4 U.S.A.

DUCATIST



<i>DUCATIMOTOR</i>		<i>DUCATIST4</i>	<i>M.Y. '01</i>	<i>U.S.A.</i>
<i>Spare Sparts Department</i>		<i>P.N. 91510631C</i>	<i>Maggio - May '00</i>	<i>Edizione - Edition 00</i>
<i>DUCATIMOTOR</i>		<i>DUCATIST4</i>	<i>M.Y. '01</i>	<i>U.S.A.</i>
<i>Spare Sparts Department</i>		<i>P.N. 91510631C</i>	<i>Maggio - May '00</i>	<i>Edizione - Edition 00</i>
<i>DUCATIMOTOR</i>		<i>DUCATIST4</i>	<i>M.Y. '01</i>	<i>U.S.A.</i>
<i>Spare Sparts Department</i>		<i>P.N. 91510631C</i>	<i>Maggio - May '00</i>	<i>Edizione - Edition 00</i>
<i>DUCATIMOTOR</i>		<i>DUCATIST4</i>	<i>M.Y. '01</i>	<i>U.S.A.</i>
<i>Spare Sparts Department</i>		<i>P.N. 91510631C</i>	<i>Maggio - May '00</i>	<i>Edizione - Edition 00</i>