

GENERAL INFORMATION

The present *spare parts* list enables one to order exactly the right spare parts.

When ordering specify:

- 1) the part's code number followed by its description;
- 2) the motorcycle's serial number, stamped on the steering head.

Reference to right and left apply to the vehicle in terms of its direction of movement.

VALIDIT

- f.m.** Until V.I.N.
- d.m.** From V.I.N.
- f.m.m.** Up to engine number
- d.m.m.** From engine number

- RED motorcycle
- ◆ GREY motorcycle
- BLACK motorcycle
- ▲ YELLOW motorcycle
- ▼ BLUE motorcycle

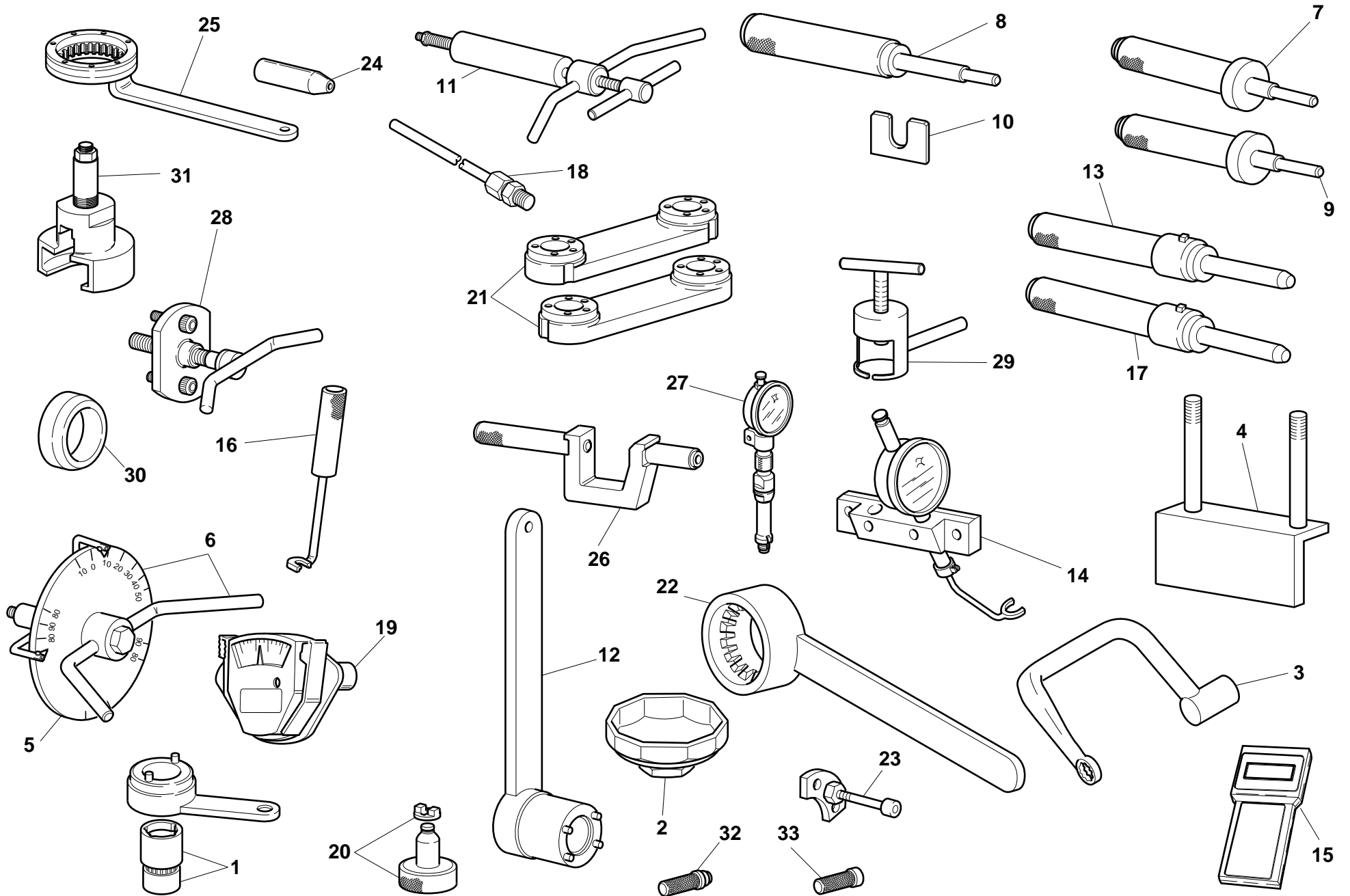
All data are subject to modification without prior notice.

DUCATI MOTOR S.p.A.
Uffici Commerciali Amministrativi:
Via A. Cavalieri Ducati n. 3
40132 Bologna, Italy
Telefono 39 51 6413111
Fax 39 51 406580
Internet www.ducati.com

CONTENS



5	001	WORKSHOP SPECIAL TOOLS	97	045	PANNIERS FASTENS
7	001.1	WORKSHOP SPECIAL TOOLS	99	046	SIDE PANNIERS
9	001.2	DIAGNOSIS TESTER MATHESIS	101	047	FUELL INFEED
11	002	GEARCHANGE	103	048	MARKING PLATES
13	003	GEAR-BOX			
15	004	CLUTCH			
17	005	CLUTCH COVER			
19	006	CRANKSHAFT			
21	007	CYLINDERS - PISTONS			
23	008	TIMING			
25	009	FILTERS AND OIL PUMP			
27	010	HALF CRANKCASES			
29	011	WATER PUMP - ALTERNATOR COVER			
31	012	ELECTRIC STARTER AND IGNITION			
33	013	HEAD: TIMING			
35	014	HEAD			
37	015	COLLECTORS AND HEAD COVERS			
39	016	THROTTLE BODY			
41	017	EXHAUST SYSTEM			
43	018	STANDS			
45	019	FRAME			
47	020	L.H. FOOT RESTS			
49	021	R.H. FOOT RESTS			
51	022	HEADLIGHT HOLDER			
53	023	HEAD-LIGHT AND ELECTRIC WIRING			
55	024	INSTRUMENT PANEL			
57	025	HANDLEBAR AND CONTROLS			
59	026	FRONT FORK			
61	027	CLUTCH CONTROL			
63	028	FRONT HYDRAULIC BRAKE			
65	029	WATER RADIATOR ASSY			
67	030	COOLING CIRCUIT			
69	031	ELECTRIC SYSTEM			
71	032	BATTERY BOX MOUNT			
73	033	AIR INDUCTIO AND OIL VENT			
75	034	SWINGARM AND CHAIN			
77	035	REAR SUSPENSION			
79	036	OIL COOLER			
81	037	REAR HYDRAULIC BRAKE			
83	038	WHEELS			
85	039	NUMBER PLATE HOLDER			
87	040	SEAT			
89	041	FUEL TANK			
91	042	FUEL SYSTEM			
93	043	HEADLIGHT FAIRING			
95	044	FAIRING			

DRAWING **1** WORKSHOP SPECIAL TOOLS

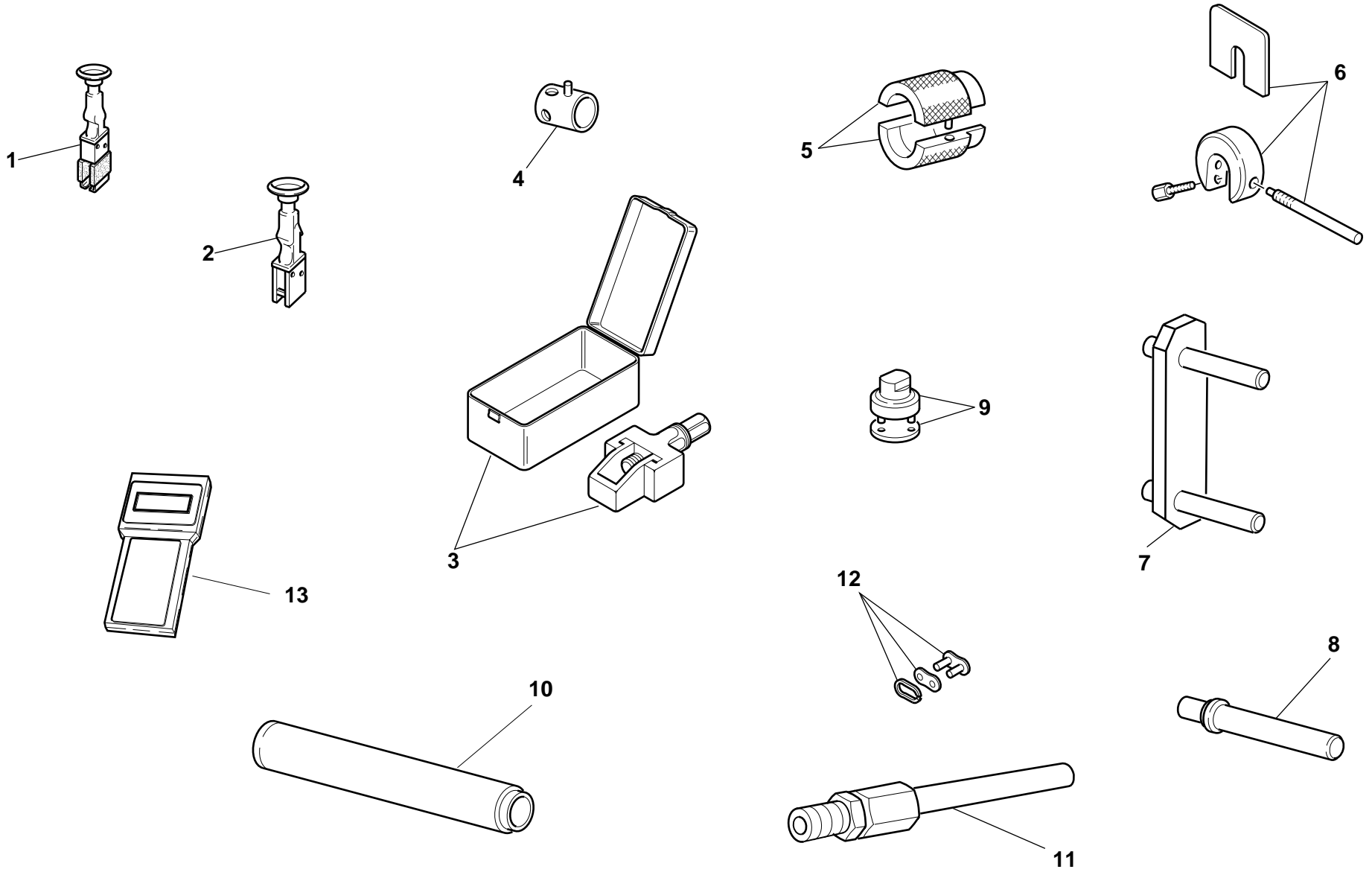


DRAWING 1


WORKSHOP SPECIAL TOOLS

NOTES	NO.	CODE NO.	DESCRIPTION	VALIDITY	Q.TY		NOTES	NO.	CODE NO.	DESCRIPTION	VALIDITY	Q.TY	
	1	88700.5644	Timing belt rollers holder wrench		1		19	051.2.001.1A	Torque wrench for timing belt			1	
	2	0675.03.210	Wrench for removing oil filter cartridge		1		20	88765.0978	Return cap of the valve control gauge			1	
	3	88713.1139	Head nuts holder wrench		1		21	88713.0847	Camshaft stroke checking tool			1	
	4	88713.0891	Head mounting base		1		22	88713.1419	Alternator holder wrench for tightening nut			1	
	5	98112.0002	Degree wheel		1		23	88713.1091	Plate for positioning gear engagement fork			1	
	6	88713.0123	Degree wheel holder tool for ignition advance check		1		24	88700.5749	Crankcases assembling cap			1	
	7	88713.0874	Exhaust valve guide punch tool		1		25	88713.0146	Clutch drum holder wrench			1	
	8	88713.0879	Punch tool to extract valve guide		1		26	88713.1093	Seal ring driving tool			1	
	9	88713.0875	Intake valve guide punch tool		1		27	88765.0968	T.D.C. control gauge			1	
	10	88713.1309	Fork feeler gauge 2,35 mm		1		28	88713.0144	Extractor for removal of chain/generator cover			1	
	11	88713.0862	Rocker shaft extractor		1		29	88713.1332	Extractor bushing bearing inner ring			1	
	12	88713.0137	Crankshaft gear holder wrench for tightening nut		1		30	88700.5665	Sleeve for installing clutch bell gear			1	
	13	88713.1078	Punch tool for driving exhaust valve seat		1		31	88713.1502	Extractor for primary drive gear			1	
	14	88765.1001	Valve lift gauge		1		32	88713.0869	Tool for assembling water pump front seal			1	
	15	88765.1068	Check instrument		1		33	88713.0870	Tool for assembling water pump front seal			1	
F	15	88765.1071	Check instrument		1								
D	15	88765.1070	Check instrument		1								
E	15	88765.1072	Check instrument		1								
GB	15	88765.1069	Check instrument		1								
	16	88713.0844	Half-rings mounting punch tool		1								
	17	88713.1079	Punch tool for driving intake valve seat		1								
	18	88713.1010	Union for exhaust gas suction		1								

DRAWING 1.1 WORKSHOP SPECIAL TOOLS



DRAWING **1.1** WORKSHOP SPECIAL TOOLS

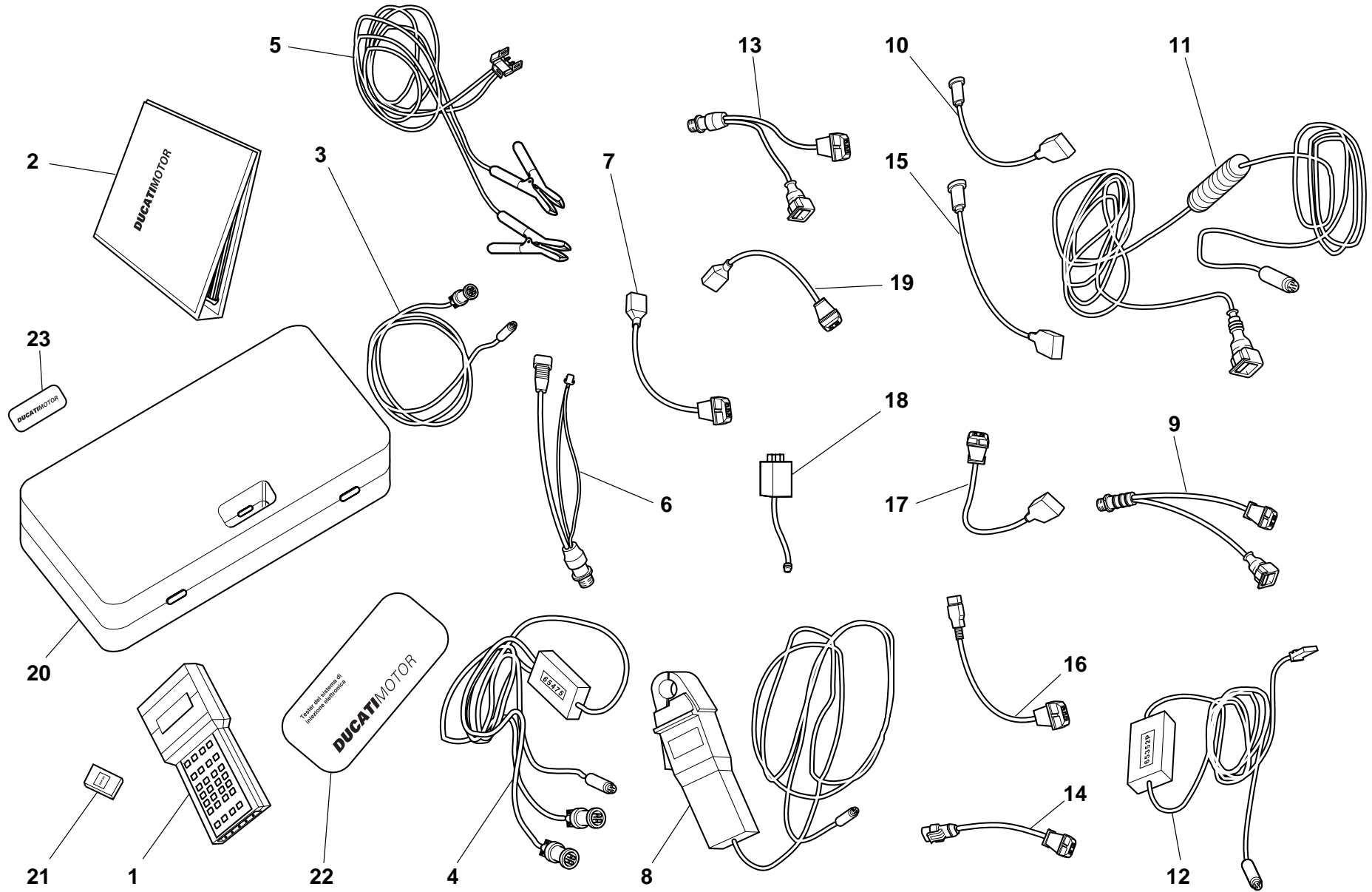
NOTES	NO.	CODE NO.	DESCRIPTION	VALIDITY	Q.TY	
	1	88713.1097	EPR0M extractor		1	
	2	88713.1140	EPR0M chip introducing		1	
	3	88713.1344	Tool for assembling chain		1	
	4	0000.70139	Wrench for front wheel spindle		1	
	5	88713.0960	Tool for overhauling SHOWA forks - assembling seal ring		1	
	6	88713.0957	Tool for holding SHOWA fork spacer		1	
	7	88713.1515	Frame/engine mount		1	
	8	88713.1071	Stopper for assembling the rocker needle bearings		1	
	9	88713.1058	Wrench for assembling the steering head cap		1	
	10	88713.1072	Stopper for driving the half bearing of the steering head base		1	
	11	88713.1010	Union for exhaust gas suction		1	
	12	677.4.003.1A	Coupling		1	
	13	88765.1068	Check instrument		1	
GB	13	88765.1069	Check instrument		1	
D	13	88765.1070	Check instrument		1	
F	13	88765.1071	Check instrument		1	
E	13	88765.1072	Check instrument		1	

NOTES	NO.	CODE NO.	DESCRIPTION	VALIDITY	Q.TY	
-------	-----	----------	-------------	----------	------	---



DRAWING

1.2

DIAGNOSIS TESTER MATHESIS

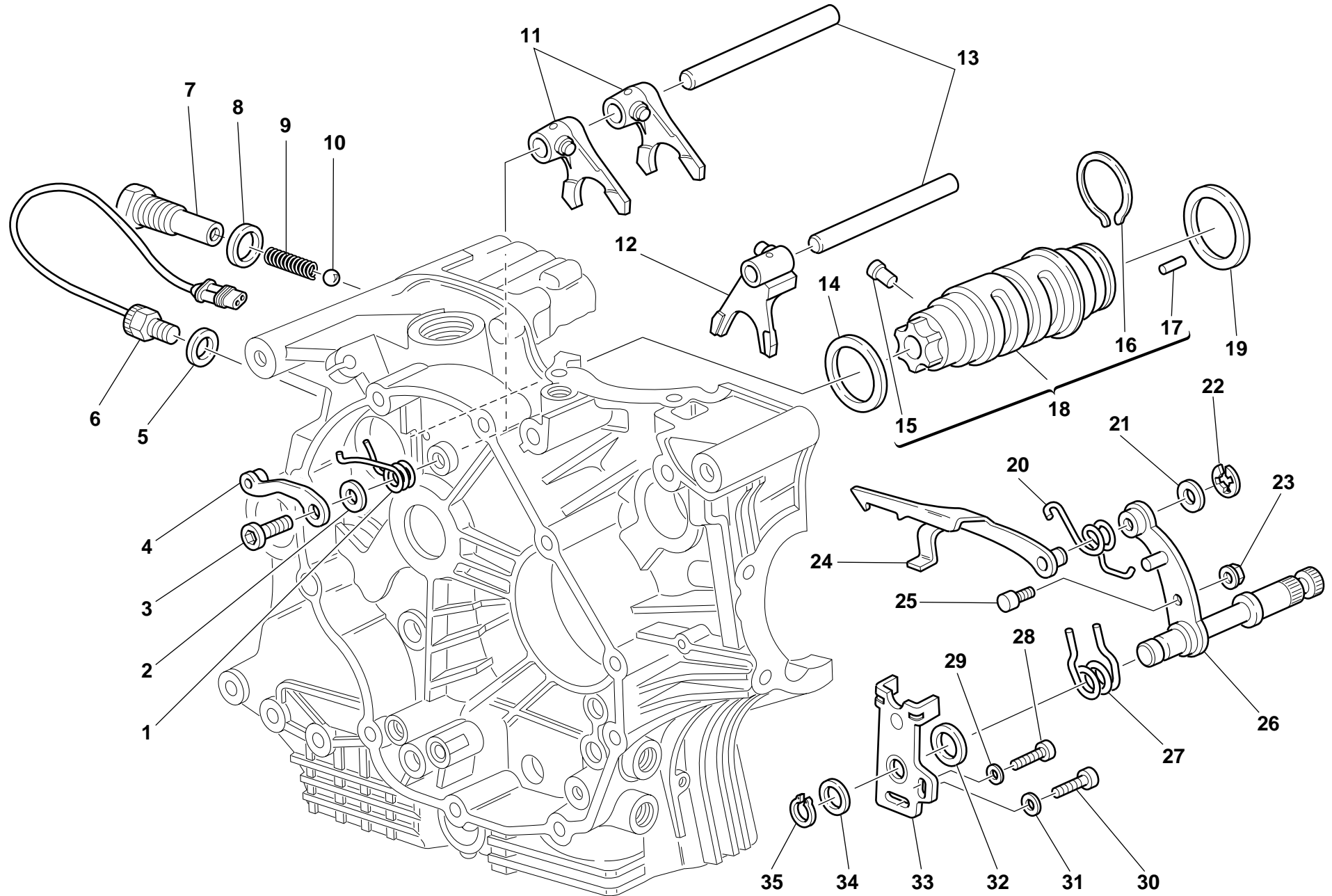


DRAWING **1.2****DIAGNOSIS TESTER MATHESIS**



NOTES	NO.	CODE NO.	DESCRIPTION	VALIDITY	Q.TY		NOTES	NO.	CODE NO.	DESCRIPTION	VALIDITY	Q.TY	
	1	88765.1126Z	Bare Mathesis		1		17	88765.1126G	Sensor for air/water temperature sampling			1	
	2	914.7.023.1A	Italian manual		1		18	88765.1126M	Sfety remote switch			1	
	2	914.7.023.1C	German manual		1		19	88765.1126L	2 Wires sampling Pickup sensor			1	
	2	914.7.023.1E	Spanish manual		1		20	88765.1126U	Case with sponge			1	
	2	914.7.023.1B	English manual		1		21	88765.1074	English memory card			1	
	2	914.7.023.1D	Franch manual		1		21	88765.1075	German memory card			1	
	3	88765.1126R	Main cable Mathesis		1		21	88765.1073	Italian memory card			1	
	4	88765.1126A	Pickup Control cable		1		21	88765.1076	French memory card			1	
	5	88765.1126Q	Battery mains cable		1		21	88765.1077	Spanish memory card			1	
	6	88765.1126	Mains cable adapter for self diagnosis		1		22	88765.1126S	DUCATI sticker for case			1	
	7	88765.1126N	Sensor for absolute pressure sampling		1		23	88765.1126T	DUCATI sticker RH/LH side			1	
	8	88765.1126V	Amperometer plier		1								
	9	88765.1126E	Adapter for 3 wires Pickup test cable		1								
	10	88765.1126P	Sensor for air temperature sampling		1								
	11	88765.1126C	Cable for potentiometer adjustment		1								
	12	88765.1126B	Test cable and speed indicator adjustment		1								
	13	88765.1126F	Adapter for 2 wires Pickup test cable		1								
	14	88765.1126D	Adapter for potentiometer adjustment		1								
	15	552.4.028.1A	Sensor for small throttle potentiometer sampling		1								
	16	88765.1126H	Sensor for throttle potentiomer sampling		1								

DRAWING 2

GEARCHANGE

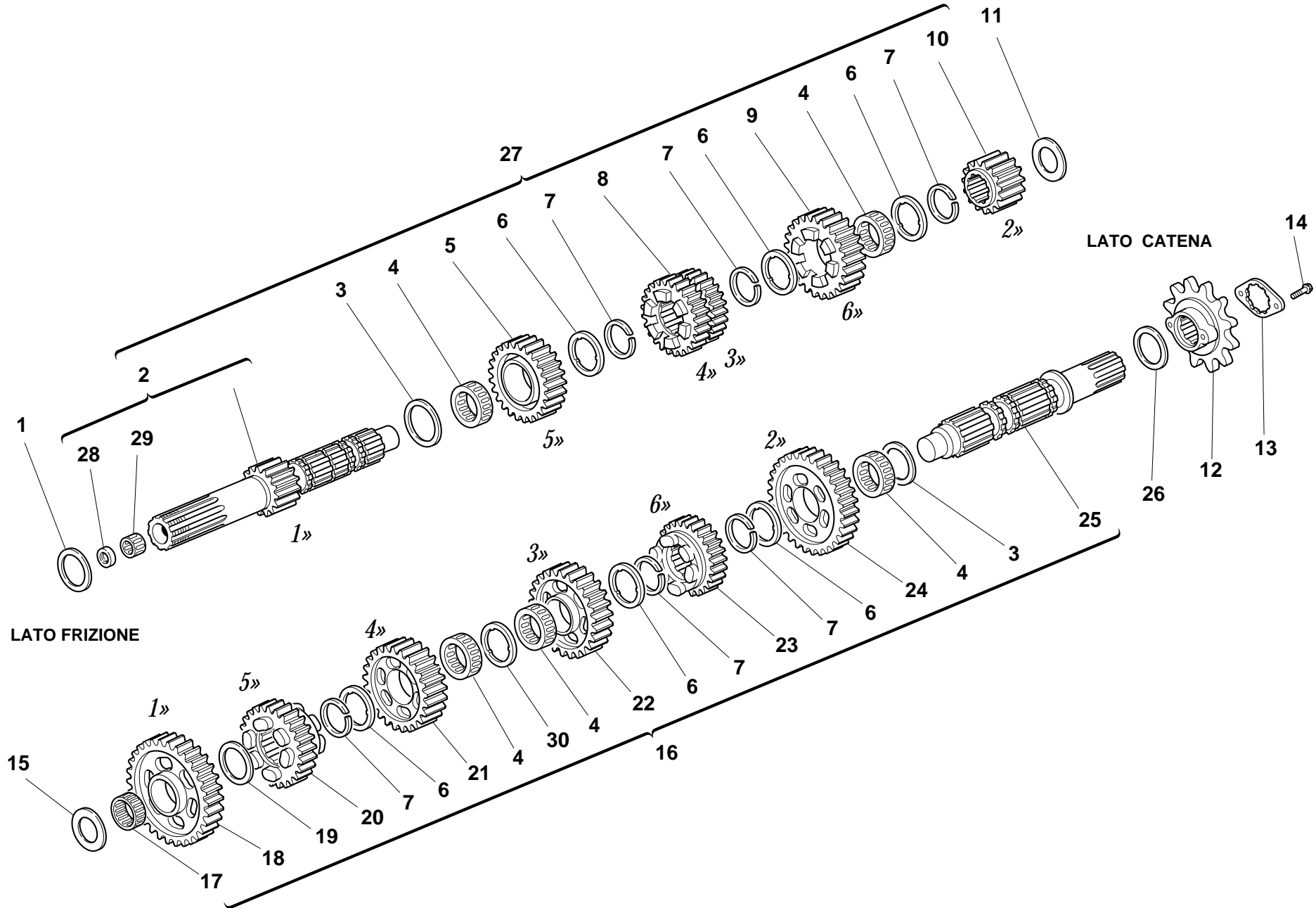


DRAWING **2** GEARCHANGE

NOTES	NO.	CODE NO.	DESCRIPTION	VALIDITY	Q.TY		NOTES	NO.	CODE NO.	DESCRIPTION	VALIDITY	Q.TY	
	1	799.1.049.1A	Return spring		1		21	0765.92.205	Shim th. 0.2			2	
	2	852.1.053.1A	Washer		1		22	0214.07.350	Ring			1	
	3	779.1.039.1A	Special screw		1		23	750.5.001.1A	Nut			1	
	4	455.2.003.1A	Gear stopper assembly		1		24	180.1.008.1A	Gearbox drum control fork			1	
	5	420.2.000.8A	Copper gasket		1		25	0660.13.165	Gearchange lever pin			1	
	5	0504.03.085	Gasket th.1,5		1		26	821.1.001.1A	Pin with gearchange lever			1	
	5	0150.92.280	Gasket th.2		1		27	799.1.025.1A	Fork return spring			1	
	5	852.1.111.1A	Gasket th.0.5		1		28	60N102509	Screw			1	
	6	539.4.020.1A	Switch		1		29	462.3.003.8A	Washer			1	
	7	0660.13.133	Push rod holder		1		30	771.5.122.2B	Screw			1	
	8	0272.91.090	Gasket		1		31	462.3.003.7A	Washer			1	
	9	0660.13.143	Gear selector spring		1		32	881.1.012.1A	Centering ring			1	
	10	76835.1134	Ball		1		33	826.1.009.1A	Stopper plate			1	
	11	180.1.001.1A	1st,4th-2nd,3rd gear selector fork		2		34	0400.29.126	Shim th. 0.5			1	
	12	180.1.002.1A	5th,6th gear selector fork		1		34	0400.29.125	Shim th. 0.2			2	
	13	0660.13.070	Fork pin		2		35	73500.1542	Circlip			1	
	14	852.1.005.1A	Shim th. 1		1								
	15	0660.13.045	Neutral light operating pin		1								
	16	882.1.006.1A	Needle retaining ring (square cross-section)		1								
	17	821.1.070.1A	Special roller (square cross-section)		6								
	18	182.2.006.2B	Complete gearbox drum		1								
	19	0660.13.060	Shim th. 1		1								
	19	852.1.094.1A	Shim th. 0.9		1								
	20	0799.13.110	Gearchange lever return spring		1								
	21	0400.09.050	Washer		1								

DRAWING 3

GEAR-BOX



DRAWING **3****GEAR-BOX**

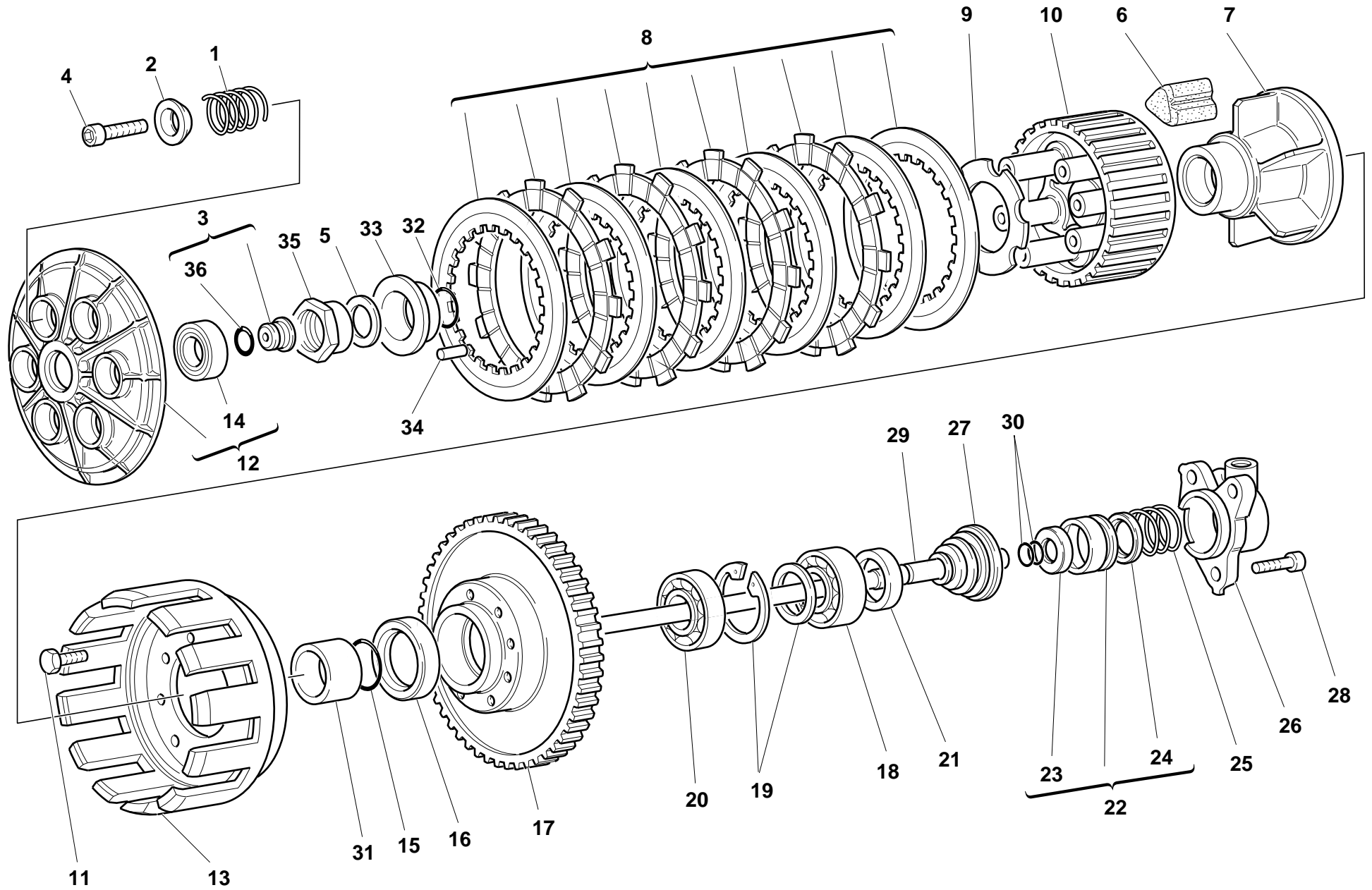
NOTES	NO.	CODE NO.	DESCRIPTION	VALIDITY	Q.TY	
1	852.1.108.1AH	Shim th. 0.9			1	
1	0251.47.050	Shim th. 1			1	
1	852.1.108.1AL	Shim th. 1,1			1	
1	0251.47.054	Shim th. 1.2			1	
1	852.1.108.1AN	Shim th. 1,3			1	
2	150.2.006.1A	Gearbox main shaft			1	
3	0670.16.150	Shim th. 0.5			2	
4	701.4.005.1A	Needle bearing			5	
5	172.1.004.1A	Driving gear 5th sp.			1	
6	856.1.001.1A	Grooved washer th. 0.5			6	
7	0670.16.145	Snap ring			6	
8	172.1.003.1A	Driving gear 3rd/4th sp.			1	
9	172.1.005.1A	Driving gear 6th sp.			1	
10	172.1.002.1B	Driving gear 2nd sp.			1	
11	713.1.014.1A	Shim th. 1.5			1	
11	713.1.014.1E	Shim th. 1.6			1	
11	713.1.014.1B	Shim th. 1.7			1	
11	0670.16.163	Shim th. 1.8			1	
11	713.1.014.1F	Shim th. 1.9			1	
11	0670.16.164	Shim th. 2			1	
12	449.1.027.2A	Chain sprocket Z=15			1	
13	826.1.011.1A	Sprocket keep plate			1	
14	8A00.67997	Screw			2	
15	0670.16.184	Shim th. 1			1	
15	0670.16.185	Shim th. 1.2			1	
15	713.1.014.1A	Shim th. 1.5			1	
15	713.1.014.1E	Shim th. 1.6			1	

CATALOGUE No.: **915.1.063.1B**
ISSUED: **12-99**



NOTES	NO.	CODE NO.	DESCRIPTION	VALIDITY	Q.TY	
15	0670.16.164	Shim th. 2			1	
15	0670.16.165	Shim th. 2.2			1	
15	713.1.011.1A	Spacer th. 2.3			1	
16	150.2.035.1A	Complete lay shaft			1	
17	76402.0002	Needle bearing			1	
18	172.1.006.1B	Driven gear 1st sp.			1	
19	0670.16.155	Shim th. 1			1	
20	172.1.010.1A	Driven gear 5th sp.			1	
21	172.1.009.1A	Driven gear 4th sp.			1	
22	172.1.008.1A	Driven gear 3rd sp.			1	
23	172.1.011.1A	Driven gear 6th sp.			1	
24	172.1.007.1B	Driven gear 2nd sp.			1	
25	149.1.024.1A	Gearbox lay shaft			1	
26	852.1.105.1AG	Shim th. 0.7			1	
26	0670.16.170	Shim th. 0.8			1	
26	852.1.105.1AB	Shim th. 0.9			1	
26	0670.16.171	Shim th. 1			1	
26	852.1.105.1AD	Shim th. 1,1			1	
27	150.2.005.1A	Complete main shaft			1	
28	93783.0812	Seal ring			1	
29	76270.0827	Needle bearing			1	
30	856.1.031.1A	Grooved washer th. 0.5			1	

CATALOGUE No.: **915.1.063.1B**
ISSUED: **12-99**

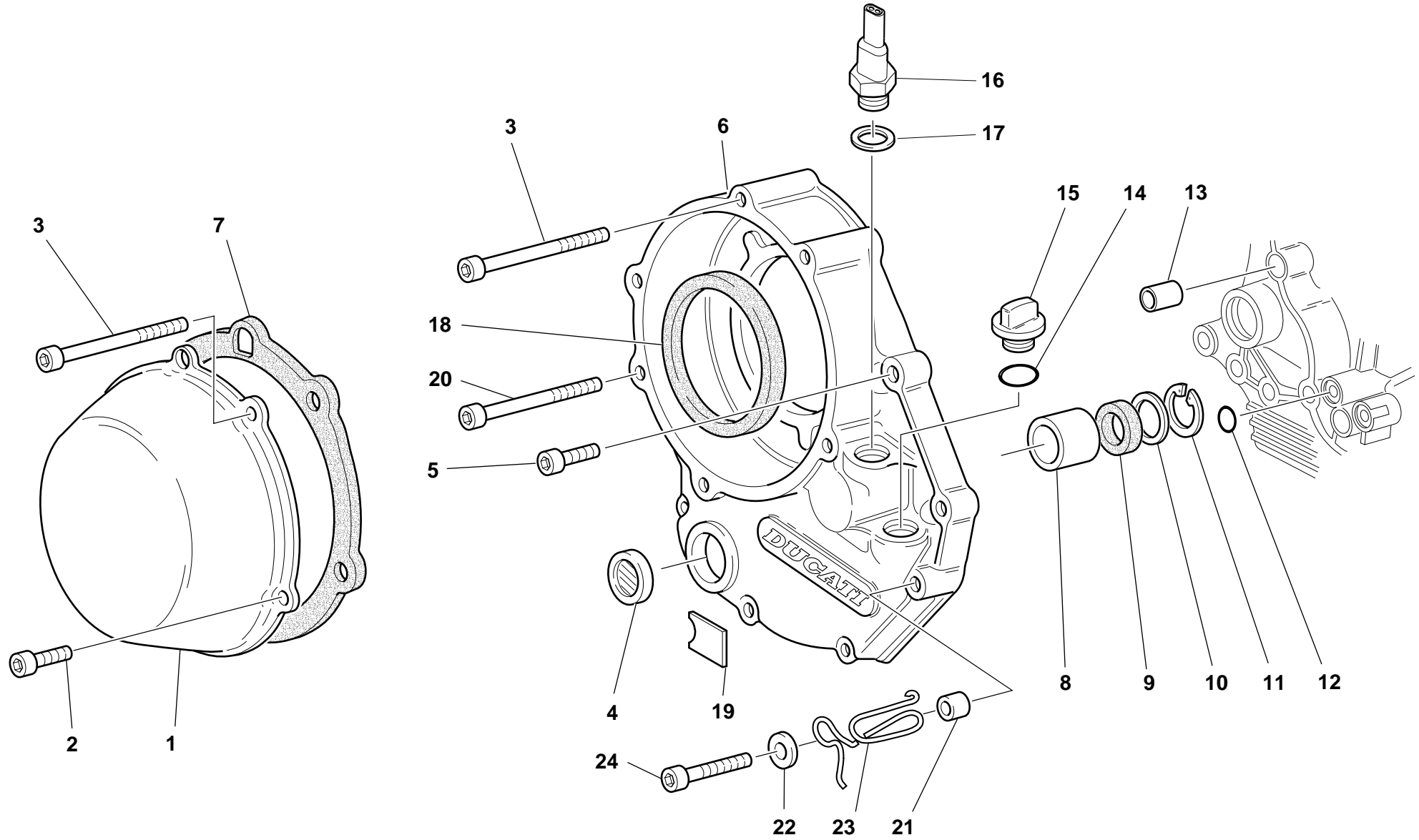
DRAWING 4 CLUTCH




DRAWING **4** **CLUTCH**

NOTES	NO.	CODE NO.	DESCRIPTION	VALIDITY	Q.TY		NOTES	NO.	CODE NO.	DESCRIPTION	VALIDITY	Q.TY	
	1	0659.16.555	Clutch spring		6		28	60N107335	Screw			3	
	2	841.1.002.2A	Retainer		6		29	117.1.001.2A	Clutch control rod			1	
	3	818.2.009.1A	Clutch control pin		1		30	93823.2018	O-ring			2	
	4	771.5.043.2B	Screw		6		31	713.1.012.1B	Spacer			1	
	5	851.4.001.1A	Lock washer		1		32	93823.0128	O-ring			1	
	6	764.1.003.1B	Rubber pad		12		33	710.1.002.1A	Bush			1	
	7	162.1.001.1B	Plate holder hub		1		34	74224.0570	Pin			1	
	8	190.2.001.3A	Clutch plates set		1		35	750.1.002.1B	Nut			1	
	9	851.1.001.1B	Lock washer		1		36	0400.17.030	O-ring			1	
	10	196.1.001.1B	Clutch drum		1								
	11	70610.8120	Screw		8								
	12	194.2.001.1B	Pressure plate		1								
	13	198.1.027.1A	Clutch housing		1								
	14	702.5.016.1A	Bearing		1								
	15	463.2.053.7A	O-ring		1								
	16	463.4.026.9A	Seal ring		1								
	17	170.2.023.1A	Clutch/crankshaft gears pair		1								
	18	463.7.022.6A	Bearing		1								
	19	881.2.001.1A	Circlip - spacer		1								
	20	75113.2566	Bearing		1								
	21	0660.16.145	Spacer		1								
	22	195.2.002.1B	Piston assembly		1								
	23	930.4.009.1A	Seal ring		1								
	24	93785.0822	Seal ring		1								
	25	799.1.012.1A	Spring		1								
	26	236.1.010.3A	Clutch cap		1								
	27	672.1.006.1A	Rod protection cover		1								

DRAWING **5** CLUTCH COVER



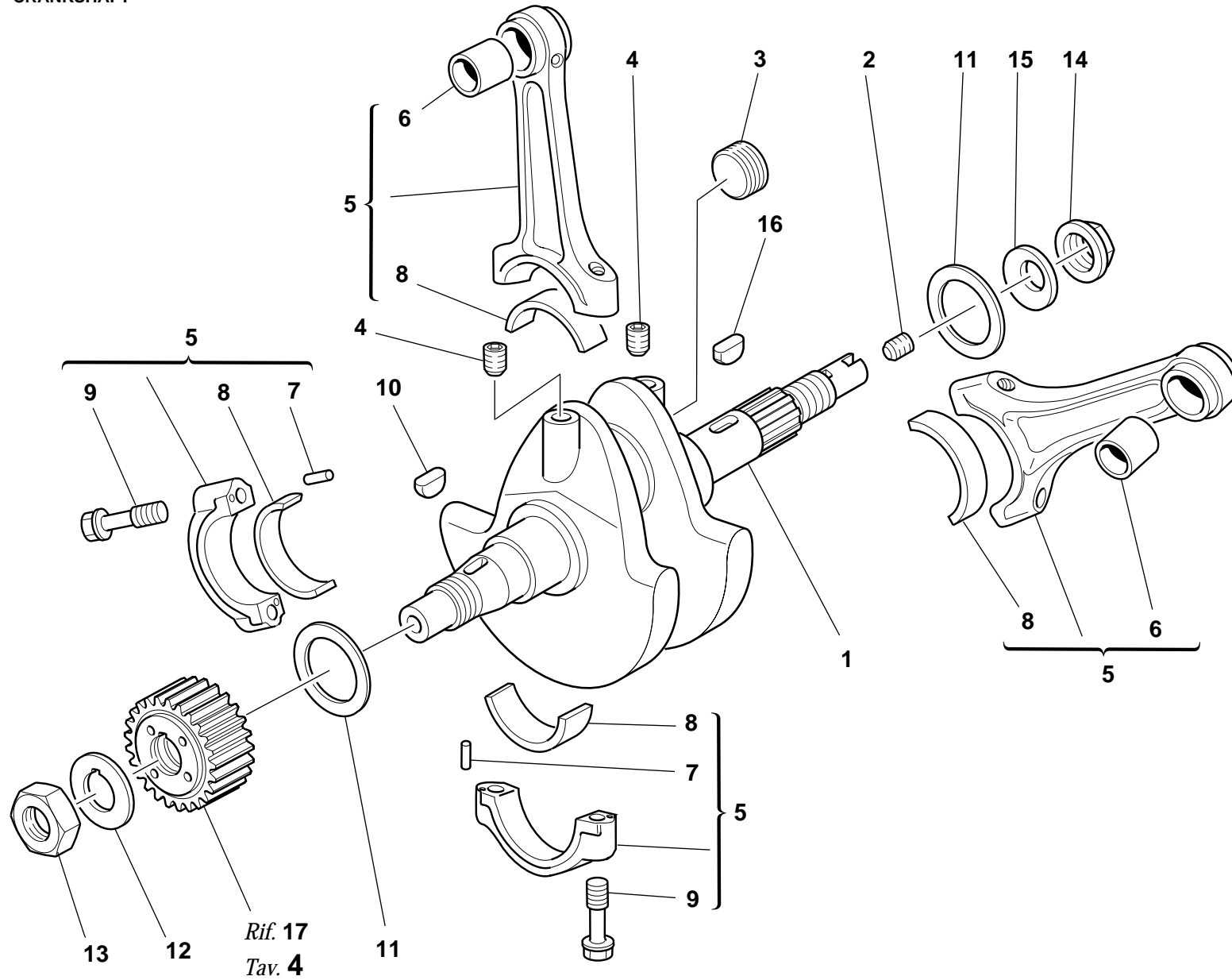
DRAWING **5** **CLUTCH COVER**

NOTES	NO.	CODE NO.	DESCRIPTION	VALIDITY	Q.TY	
	1	243.1.025.1AC	Clutch protection cover		1	
	2	60N102509	Screw		3	
	3	417.6.075.9A	Screw		3	
	4	254.4.001.1A	Oil level inspection cap		1	
	5	60N102510	Screw		5	
	6	243.2.004.1B	Cover clutch side		1	
	7	788.1.052.1A	Cover gasket		1	
	8	0665.49.680	Bush		1	
	9	93784.2030	Seal ring		1	
	10	852.1.008.1A	Shim th. 0.5		1	
	11	73503.3075	Circlip		1	
	12	93827.0114	O-ring		1	
	13	0400.49.240	Locating bush		1	
	14	93823.2082	O-ring		1	
	15	893.1.005.1A	Cap		1	
	16	539.4.008.1D	Switch		1	
	17	0150.70.120	Gasket		1	
	18	463.4.047.7A	Ring		1	
	19	433.1.028.1C	Oil level plate		1	
	20	771.5.078.2B	Screw		1	
	21	0675.49.540	Spacer		1	
	22	734306N01	Washer		1	
	23	881.1.030.1A	Holder		1	
	24	771.5.072.2B	Screw		1	


NOTES	NO.	CODE NO.	DESCRIPTION	VALIDITY	Q.TY	
-------	-----	----------	-------------	----------	------	---


DRAWING 6

CRANKSHAFT

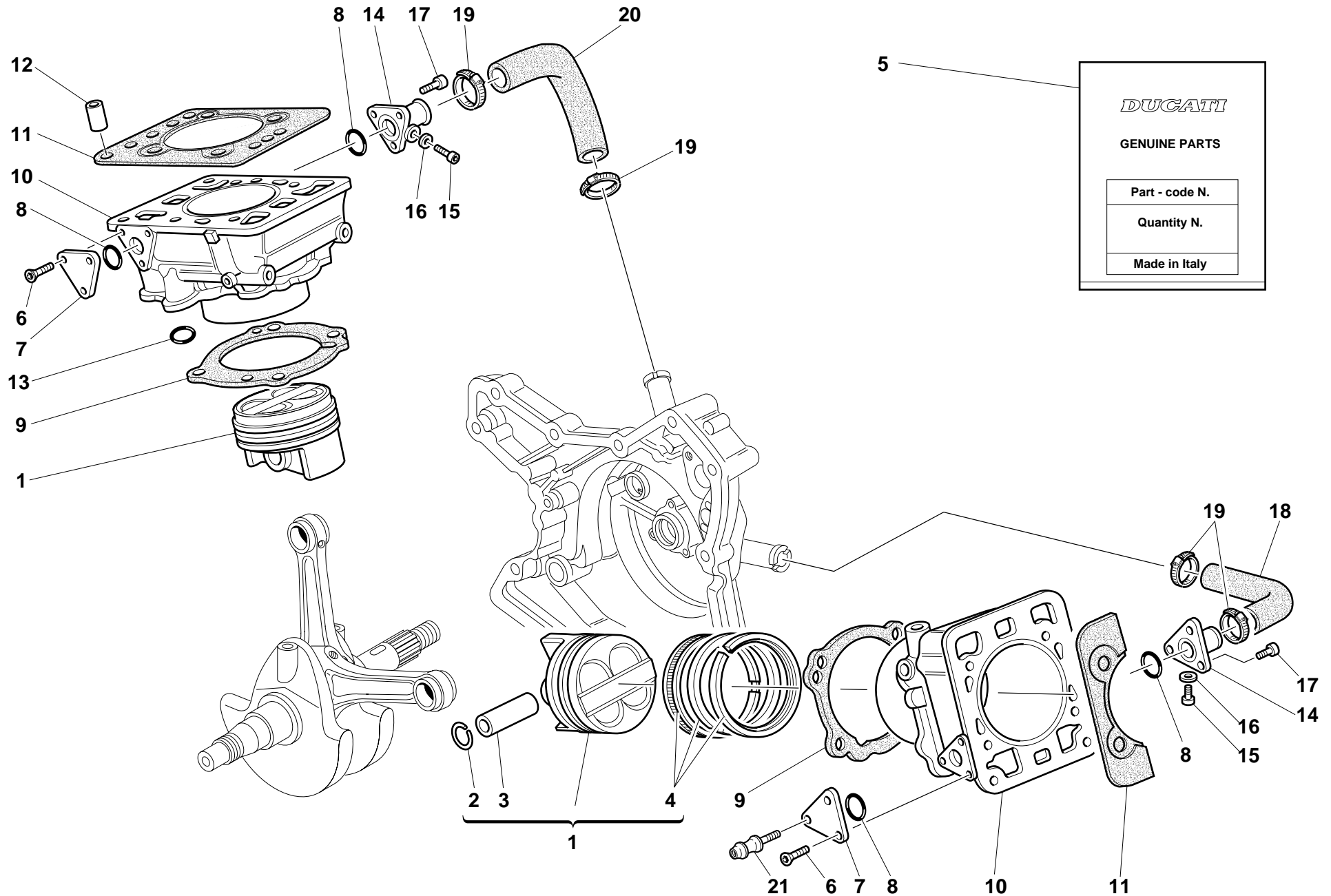


DRAWING **6** **CRANKSHAFT**

NOTES	NO.	CODE NO.	DESCRIPTION	VALIDITY	Q.TY	
	1	146.2.017.1A	Crankshaft (items 2-3-4 included)		1	
	2	779.1.109.1A	Special screw		1	
	3	895.1.004.1A	Cap		1	
	4	72121.2106	Threaded dowel		2	
	5	158.2.006.1D	Connecting rods pair (6-7-8 included)		1	
	6	712.1.021.1A	Bush		2	
	7	74224.0570	Pin		4	
	8	112.1.007.1BA	Half-bearing (RED)		4	
	8	112.1.007.1BB	Half-bearing (BLUE)		4	
	9	779.1.007.2A	Special screw		4	
	10	0755.29.025	Woodruff key		1	
	11	852.1.104.1J	Shim th. 2.35		1	
	11	852.1.104.1F	Shim th. 2,15		1	
	11	852.1.104.1H	Shim th. 2.25		1	
	11	852.1.104.1L	Shim th. 2,45		1	
	11	852.1.104.1N	Shim th. 2.55		1	
	11	852.1.104.1E	Shim th. 2,1		1	
	11	852.1.104.1D	Shim th. 2,05		1	
	11	852.1.104.1C	Shim th. 2		1	
	11	852.1.104.1K	Shim th. 2,4		1	
	11	852.1.104.1G	Shim th. 2.2		1	
	11	852.1.104.1I	Shim th. 2.3		1	
	11	852.1.104.1B	Shim th. 1.95		1	
	11	852.1.104.1M	Shim th. 2.5		1	
	11	852.1.104.1A	Shim th. 1.9		1	

NOTES	NO.	CODE NO.	DESCRIPTION	VALIDITY	Q.TY	
	12	0619.47.030	Lock washer		1	
	13	0660.47.040	Nut		1	
	14	750.1.012.2A	Nut		1	
	15	799.1.051.2A	Spring washer		1	
	16	74172.1008	Woodruff key		1	

DRAWING **7** CYLINDERS - PISTONS

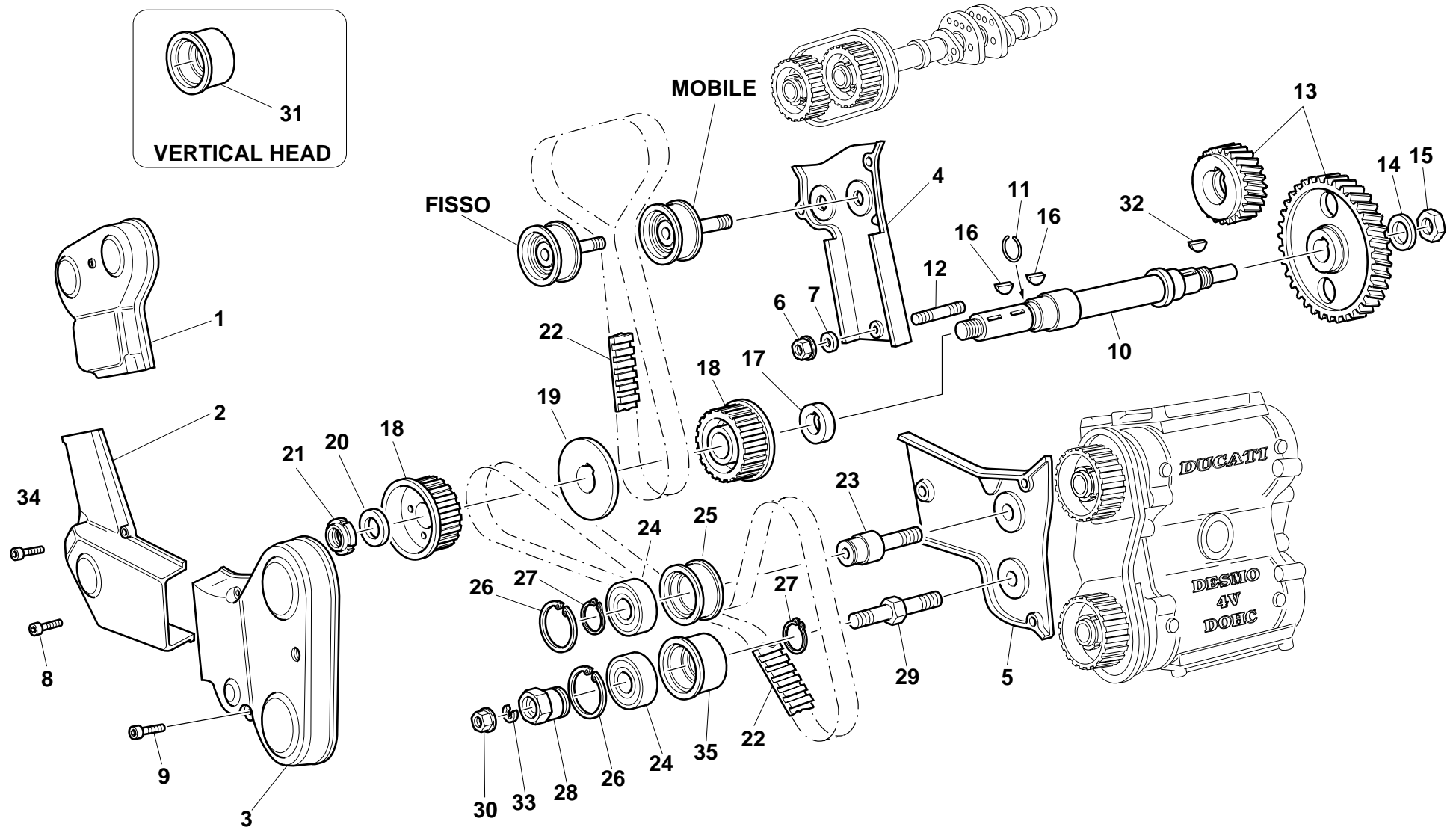


DRAWING **7****CYLINDERS - PISTONS**

NOTES	NO.	CODE NO.	DESCRIPTION	VALIDITY	Q.TY	
	1	122.2.030.1B	Complete piston		2	
	2	121.1.003.1A	Piston pin circlip		4	
	3	121.1.038.1A	Piston pin		2	
	4	121.2.003.1A	Piston rings set		2	
	5	791.2.020.1A	Head-cylinder gaskets set		1	
	6	70780.6516	Screw		5	
	7	247.1.020.1AA	Cover		2	
	8	93823.2087	O-ring		4	
	9	786.1.047.1A	Cylinder-crankcase gasket th. 0.4		2	
	10	120.2.059.1A	Cylinder-piston fit		2	
	11	786.1.054.1A	Head-cylinder gasket		2	
	12	0619.49.240	Bush		4	
	13	93823.2037	O-ring		1	
	14	814.1.002.1AA	Water inlet union to cylinders		2	
	15	60N102504	Screw		2	
	16	420.2.000.7A	Copper gasket		2	
	17	60N107335	Screw		6	
	18	800.1.008.1A	Horizontal cylinder water inlet hose		1	
	19	741.4.002.1A	Clamp		4	
	20	800.1.007.1A	Vertical cylinder water inlet hose		1	
	21	684.1.014.1B	Stud bolt		1	



NOTES	NO.	CODE NO.	DESCRIPTION	VALIDITY	Q.TY	
-------	-----	----------	-------------	----------	------	---

TIMING



DRAWING 8

TIMING


NOTES	NO.	CODE NO.	DESCRIPTION	VALIDITY	Q.TY		NOTES	NO.	CODE NO.	DESCRIPTION	VALIDITY	Q.TY	
	1	245.1.021.1A	Vertical belt outer cover		1		26	73503.3380	Circlip			2	
	2	245.1.022.1A	Outer central cover		1		27	73500.1747	Snap ring			2	
	3	245.1.020.1A	Horizontal belt outer cover		1		28	451.1.002.1A	Tensioner eccentric			2	
	4	245.1.018.1A	Vertical belt inner cover		1		29	451.1.001.1A	Movable tensioner roller pin			2	
	5	245.1.019.1A	Horizontal belt inner cover		1		30	729908FN1	Nut			2	
	6	0000.44240	Nut		2		31	451.1.007.1A	Movable tensioner roller bush			1	
	7	462.3.003.8A	Washer		2		32	0755.29.025	Woodruff key			1	
	8	60N107335	Screw		3		33	462.4.037.8A	Spring washer			2	
	9	60N102511	Screw		3		34	60N102510	Screw			3	
	10	147.1.014.1A	Timing lay shaft		1		35	451.1.021.1A	Movable tensioner roller bush			1	
	11	882.1.003.1A	Snap ring		1								
	12	70555.1631	Stud bolt		2								
	13	171.2.021.1A	Timing gears pair		1								
	14	0400.29.040	Lock washer		1								
	15	0124.40.060	Hexagon nut		1								
	16	74172.1008	Woodruff key		2								
	17	713.1.008.2A	Spacer		1								
	18	255.1.004.1A	Timing belt roller		2								
	19	856.1.049.1A	Shim th. 0.3		1								
	19	856.1.050.1A	Shim th. 0.2		1								
	19	856.1.002.1A	Belt roller separating washer		1								
	20	0797.69.040	Washer		1								
	21	72944.1542	Elastic-stop ring nut		1								
	22	737.4.010.1B	Timing drive toothed belt		2								
	23	451.1.004.1A	Fixed tensioner roller pin		2								
	24	702.5.001.1A	Bearing		2								
	25	451.1.010.1A	Fixed tensioner bush		2								

DRAWING 9

FILTERS AND OIL PUMP

NOTES	NO.	CODE NO.	DESCRIPTION	VALIDITY	Q.TY	
	1	174.2.016.2A	Complete oil pump		1	
	2	247.1.104.1A	Pump cover		1	
	3	779.5.005.1A	Screw		3	
	4	420.2.006.2A	Aluminium gasket		1	
	5	250.2.030.2A	Pump body		1	
	6	779.5.001.1A	Screw		3	
	7	680.1.001.1B	Woodruff key		1	
	8	771.5.129.2B	Screw		2	
	9	462.4.037.8A	Spring washer		2	
	10	60N102510	Screw		1	
	11	462.4.037.6A	Spring washer		1	
	12	174.1.004.1A	Pump drive gear		1	
	13	710.1.001.1A	Bush		1	
	14	799.2.077.1A	Bypass spring		1	
	15	0759.49.280	Locating bush		2	
	16	220.3.208.3A	Gasket		1	
	17	0660.49.053	Oil drain plug with magnet		1	
	18	220.3.205.5A	Gasket		1	
	19	0660.49.800	Oil filter		1	
	20	0905.49.960	Oil filter cartridge		1	
	21	0670.49.910	Nipple		1	
	22	93827.0114	O-ring		2	
	23	779.1.026.1A	Screw		1	
	24	76267.0012	Snap ring		1	
	25	73500.1237	Circlip		2	
	26	0670.49.310	Reduction bush		1	
	27	779.1.162.1A	Cap		1	

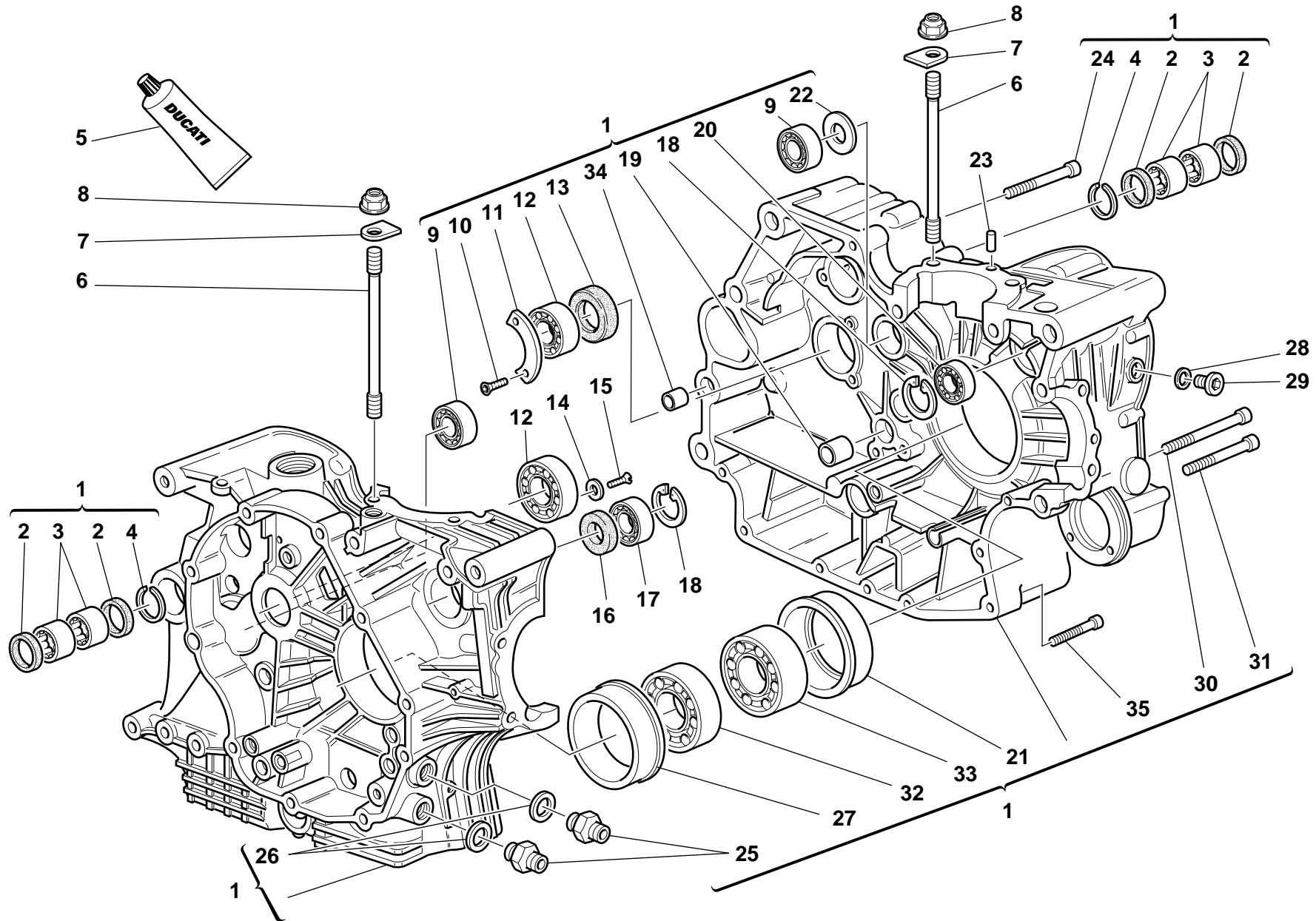
CATALOGUE No.: 915.1.063.1B
ISSUED: 12 - 99

NOTES	NO.	CODE NO.	DESCRIPTION	VALIDITY	Q.TY	
	28	0150.70.120	Gasket		1	
	29	593.1.018.1A	Bypass valve		1	
	30	799.1.055.1A	Bypass spring		1	
	31	780.1.006.1A	Bypass cap		1	

CATALOGUE No.: 915.1.063.1B
ISSUED: 12 - 99

DRAWING 10


HALF CRANKCASES



DRAWING **10** HALF CRANKCASES

NOTES	NO.	CODE NO.	DESCRIPTION	VALIDITY	Q.TY	
	1	225.2.045.1A	Complete half-crankcases pair		1	
	2	0755.49.265	Seal ring		4	
	3	76400.0004	Needle bearing		4	
	4	76266.2668	Snap ring		2	
	5	94247.0014	Fluid sealant		1	
	6	766.1.014.1A	Stud bolt for fastening head cylinder		8	
	7	856.1.025.1A	Special washer		8	
	8	0670.92.010	Nut		8	
	9	75791.1747	Bearing		2	
	10	72094.1616	Screw		2	
	11	826.1.003.1A	Keep plate		1	
	12	702.5.017.1A	Bearing		2	
	13	93783.2552	Seal ring		1	
	14	713.1.140.1A	Spacer		2	
	15	60N101079	Screw		2	
	16	93785.1830	Seal ring		1	
	17	75794.1542	Bearing		1	
	18	73503.3380	Circlip		1	
	19	77499.3421	Gearbox pin bush		1	
	20	702.5.008.1A	Bearing		1	
	21	710.1.070.1A	Bearing holder bush		1	
	22	0370.49.250	Washer		1	
	23	0011.52.010	Locating dowel		2	
	24	771.5.136.2B	Screw		3	
	25	815.1.005.1A	Nipple		2	
	26	420.2.006.4A	Aluminium gasket		2	

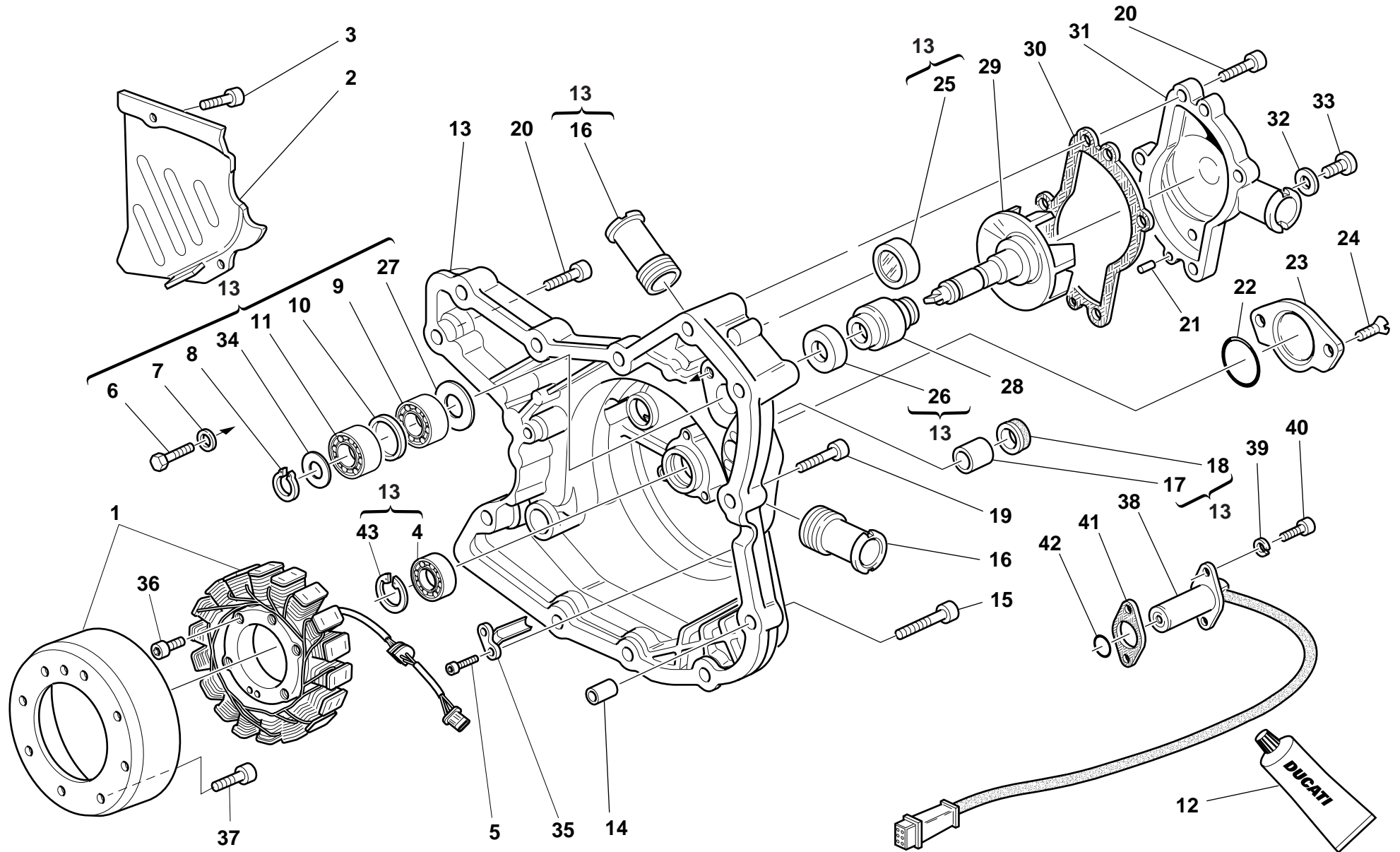
CATALOGUE No.: 915.1.063.1B
ISSUED: 12 - 99

NOTES	NO.	CODE NO.	DESCRIPTION	VALIDITY	Q.TY	
	27	710.1.069.1A	Bearing holder bush		1	
	28	420.2.006.2A	Aluminium gasket		1	
	29	779.1.026.1A	Screw		1	
	30	417.6.082.9A	Screw		4	
	31	771.5.080.2B	Screw		2	
	32	75143.3380	Bearing		1	
	33	75191.3380	Bearing		1	
	34	711.1.006.1A	Bush		2	
	35	771.5.072.2B	Screw		7	

CATALOGUE No.: 915.1.063.1B
ISSUED: 12 - 99



DRAWING 11

WATER PUMP - ALTERNATOR COVER



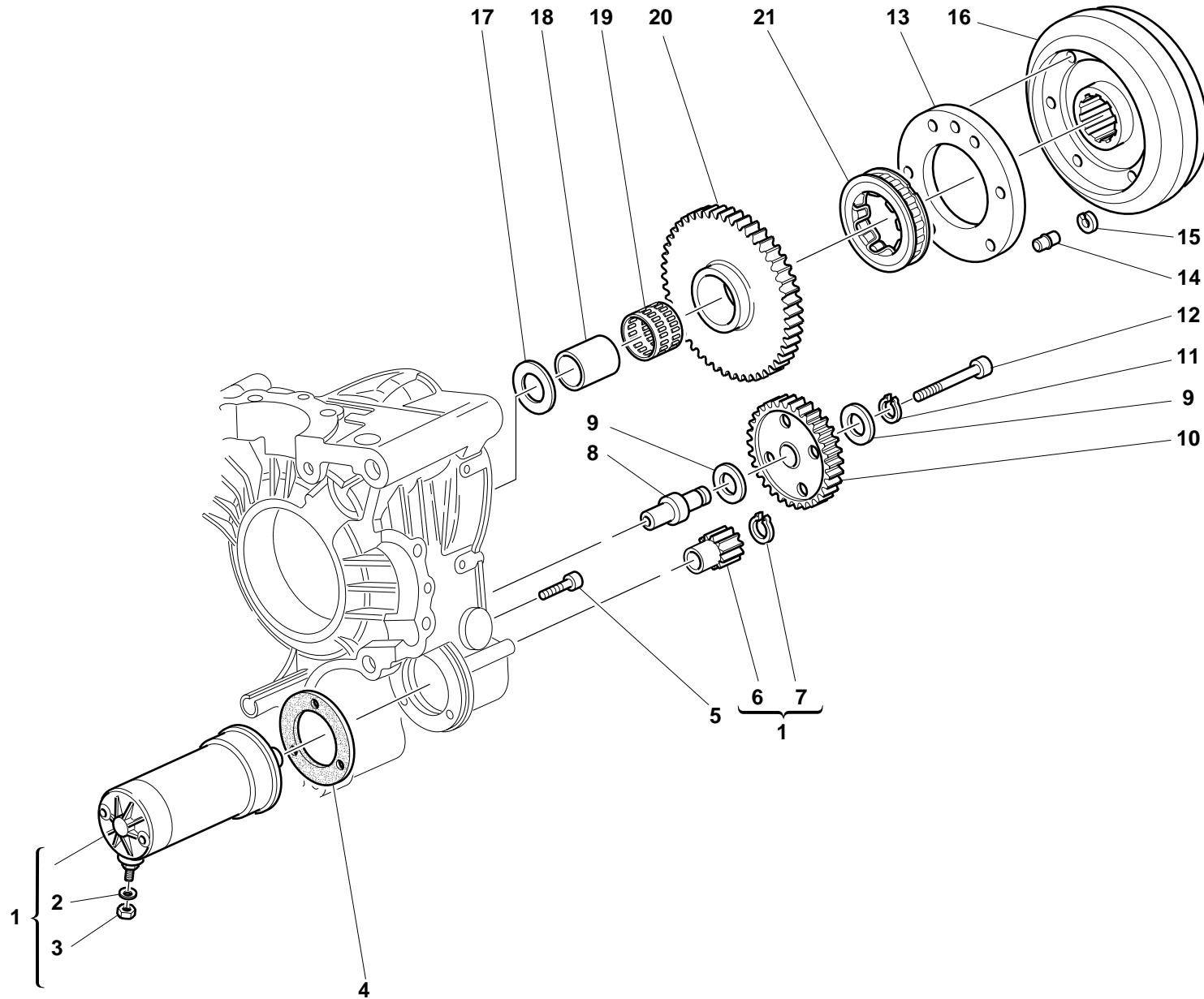
DRAWING 11

WATER PUMP - ALTERNATOR COVER


NOTES	NO.	CODE NO.	DESCRIPTION	VALIDITY	Q.TY		NOTES	NO.	CODE NO.	DESCRIPTION	VALIDITY	Q.TY	
	1	264.4.018.1A	Generator		1			28	930.5.006.2A	Mechanical seal		1	
	2	247.1.083.1AB	Chain cover		1			29	251.2.002.3B	Water pump fan		1	
	3	771.5.064.2B	Screw		2			30	788.1.056.1A	Gasket		1	
	4	702.5.008.1A	Bearing		1			31	247.1.114.1A	Complete water pump cover		1	
	5	771.5.040.2B	Screw		2			32	420.2.001.0A	Copper gasket		1	
	6	60N101079	Screw		2			33	780.5.001.1A	Cap		1	
	7	462.3.003.8A	Washer		2			34	852.1.114.1A	Washer		1	
	8	884.5.011.1A	Circlip		1			35	830.1.144.1A	Bracket		1	
	9	702.4.010.1A	Bearing		1			36	771.4.006.1A	Screw		8	
	10	713.1.118.1A	Spacer		1			37	771.5.073.2B	Screw		3	
	11	702.4.009.1A	Bearing		1			38	552.4.009.1A	Sensor		1	
	12	94247.0014	Fluid sealant		1			39	734005N01	Spring washer		2	
	13	242.2.034.1A	Generator cover		1			40	70620.5212	Screw		2	
	14	0400.49.240	Locating bush		2			41	788.1.003.1B	Gasket th.0.5		1	
	15	60N102511	Screw		2			41	788.1.012.1A	Gasket th.0.3		1	
	16	668.1.001.2A	Water pump delivery filler		2			41	788.1.013.1A	Gasket th.02		1	
	17	77499.3421	Gearbox pin bush		1			42	93823.2056	O-ring		1	
	18	93783.1524	Seal ring		1			43	73503.3380	Circlip		1	
	19	60N102510	Screw		9								
	20	771.5.066.2B	Screw		5								
	21	0011.52.010	Locating dowel		2								
	22	93823.2131	O-ring		1								
	23	247.1.002.1BB	Cover		1								
	24	777.5.049.2C	Screw		2								
	25	254.1.001.1A	Ignition inspection cap		1								
	26	930.5.005.1A	Seal		1								
	27	713.1.128.1A	Spacer		1								

DRAWING 12

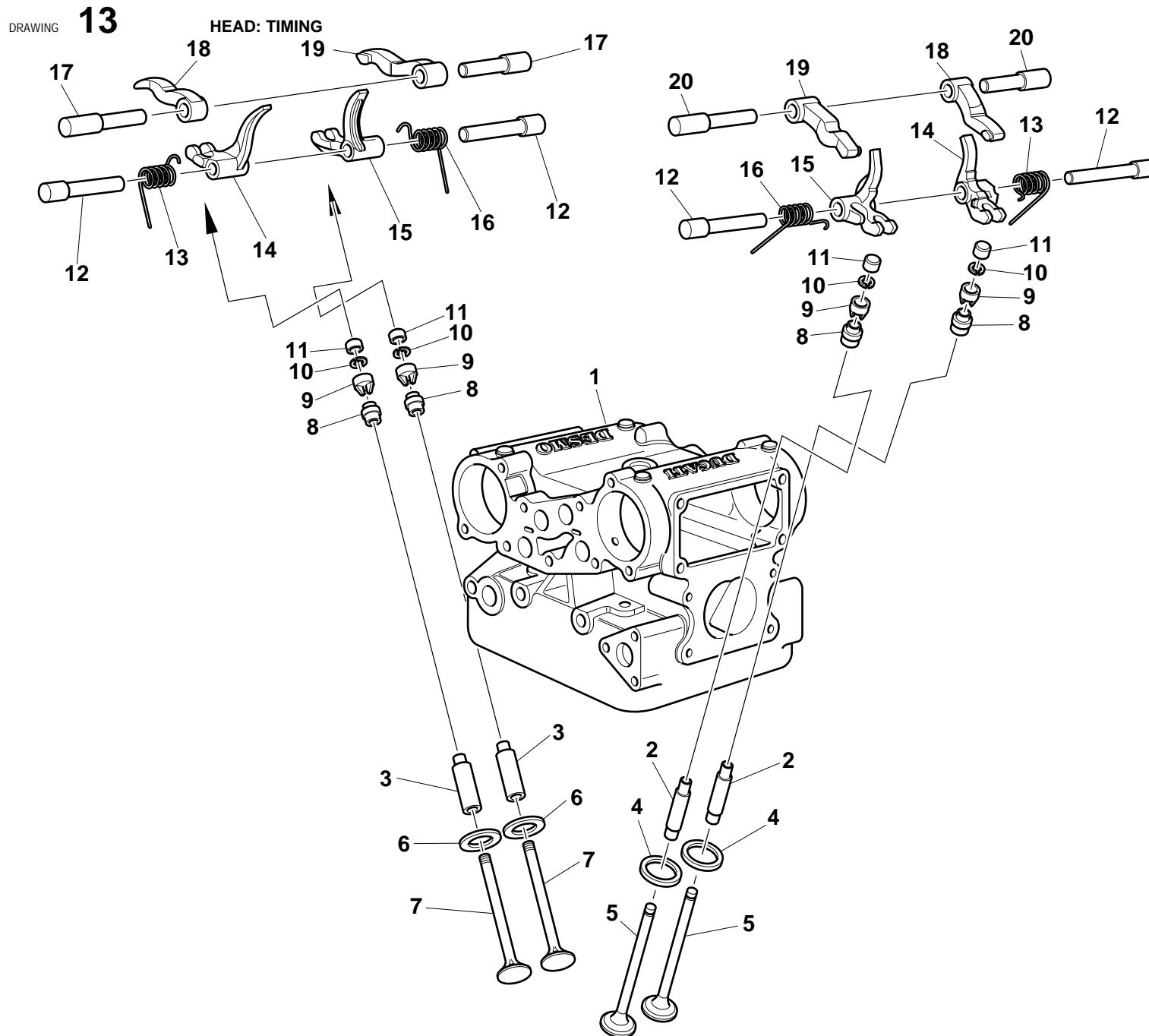
ELECTRIC STARTER AND IGNITION



DRAWING **12** ELECTRIC STARTER AND IGNITION

NOTES	NO.	CODE NO.	DESCRIPTION	VALIDITY	Q.TY	
	1	270.4.001.1A	Complete starter motor (8-9 included)		1	
	2	734006N01	Spring washer		1	
	3	417.9.050.6A	Nut		1	
	4	788.1.054.1A	Starter motor gasket		1	
	5	60N102510	Screw		3	
	6	176.1.001.1A	Starter motor sprocket		1	
	7	73500.1237	Circlip		1	
	8	0660.50.020	Intermediate gear pin		1	
	9	0124.40.050	Washer		2	
	10	176.1.002.1A	Intermediate gear assembly		1	
	11	73500.1440	Circlip		1	
	12	771.5.078.2B	Screw		1	
	13	160.1.057.1A	Flywheel connection flange		1	
	14	863.1.002.1A	Locating pin		1	
	15	0647.29.040	Check ring		1	
	16	276.1.025.2A	Ignition flywheel		1	
	17	0619.50.065	Washer		1	
	18	881.1.010.1B	Inner ring		1	
	19	701.4.003.1A	Needle bearing		1	
	20	173.1.004.1A	Electric starter driven gear		1	
	21	701.4.007.1A	Starter clutch		1	

NOTES	NO.	CODE NO.	DESCRIPTION	VALIDITY	Q.TY	
-------	-----	----------	-------------	----------	------	---





11		9	
Registro bilanc. apertura		Registro bilanc. chiusura	
Adjustment		Adjustment	
Réglage		Réglage	
Ventilkäppchen		Ventilkäppchen	
840.1.031.1A	— 1,8	840.1.051.1B	— 2,7
840.1.032.1A	— 1,85	840.1.052.1B	— 2,75
840.1.033.1A	— 1,9	840.1.053.1B	— 2,8
840.1.034.1A	— 1,95	840.1.054.1B	— 2,85
840.1.001.1A	— 2	840.1.055.1B	— 2,9
840.1.002.1A	— 2,05	840.1.056.1B	— 2,95
840.1.003.1A	— 2,1	840.1.057.1B	— 3
840.1.004.1A	— 2,15	840.1.058.1B	— 3,05
840.1.005.1A	— 2,2	840.1.059.1B	— 3,1
840.1.006.1A	— 2,25	840.1.060.1B	— 3,15
840.1.007.1A	— 2,3	840.1.061.1B	— 3,2
840.1.008.1A	— 2,35	840.1.062.1B	— 3,25
840.1.009.1A	— 2,4	840.1.063.1B	— 3,3
840.1.010.1A	— 2,45	840.1.064.1B	— 3,35
840.1.011.1A	— 2,5	840.1.065.1B	— 3,4
840.1.012.1A	— 2,55	840.1.066.1B	— 3,45
840.1.013.1A	— 2,6	840.1.067.1B	— 3,5
840.1.014.1A	— 2,65	840.1.068.1B	— 3,55
840.1.015.1A	— 2,7	840.1.069.1B	— 3,6
840.1.016.1A	— 2,75	840.1.070.1B	— 3,65
840.1.017.1A	— 2,8	840.1.071.1B	— 3,7
840.1.018.1A	— 2,85		
840.1.019.1A	— 2,9		
840.1.020.1A	— 2,95		
840.1.021.1A	— 3		
840.1.022.1A	— 3,05		
840.1.023.1A	— 3,1		
840.1.024.1A	— 3,15		
840.1.025.1A	— 3,2		
840.1.026.1A	— 3,25		
840.1.027.1A	— 3,3		
840.1.028.1A	— 3,35		
840.1.029.1A	— 3,4		
840.1.0301A	— 3,45		

DRAWING

13

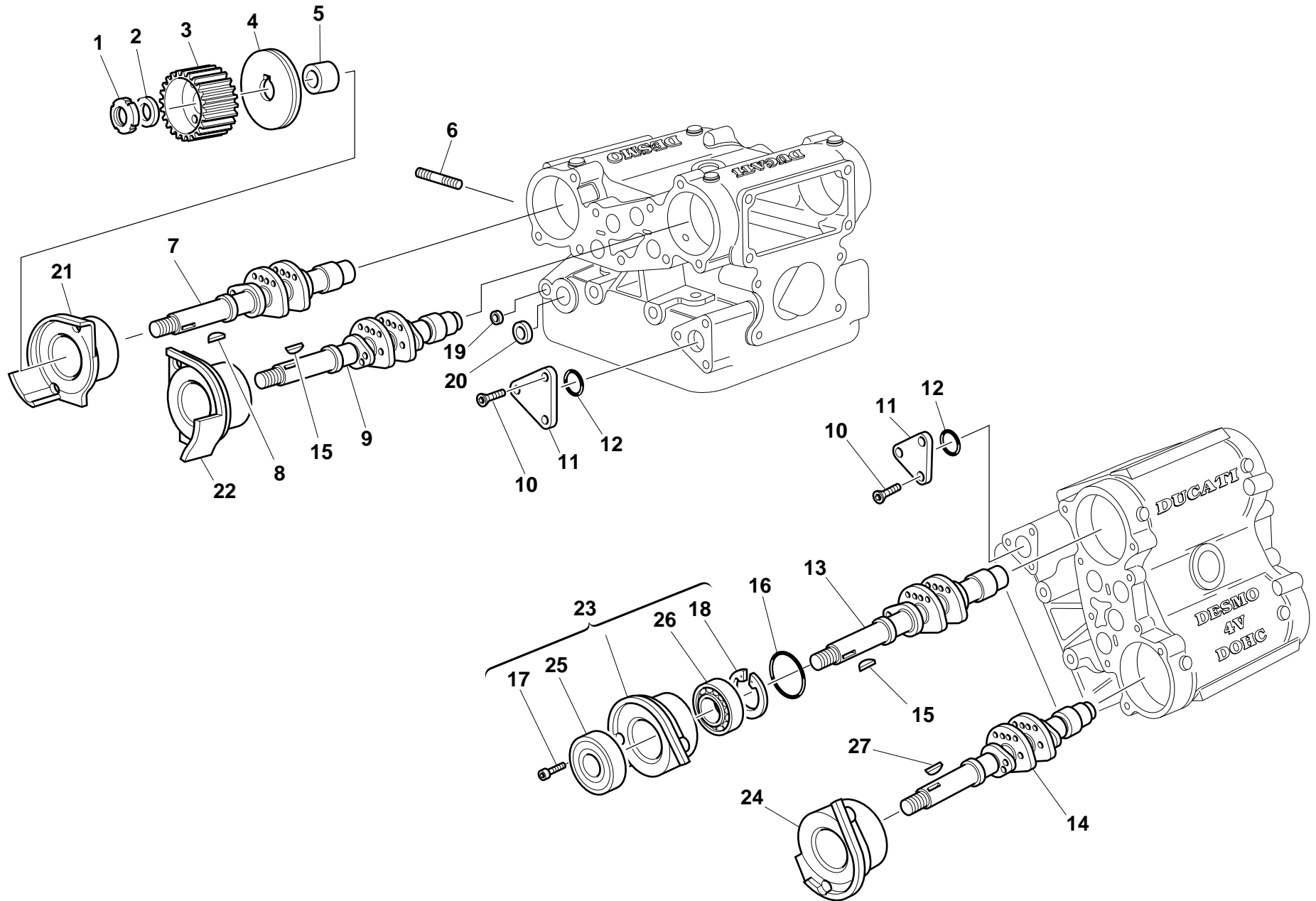
HEAD: TIMING

NOTES	NO.	CODE NO.	DESCRIPTION	VALIDITY	Q.TY	
	1	301.2.063.1A	Head (2,3,4,6 included)		2	
	2	303.1.001.2A	Intake valve cast iron guide		4	
	2	303.1.001.2AB	Oversize valve guide 0.03		4	
	2	303.1.001.2AC	Oversize valve guide 0.06		4	
	2	303.1.001.2AD	Oversize valve guide 0.09		4	
	3	303.1.015.1A	Exhaust valve bronze guide		4	
	3	303.1.015.1AB	Oversize valve guide 0.03		4	
	3	303.1.015.1AC	Oversize valve guide 0.06		4	
	3	303.1.015.1AD	Oversize valve guide 0.09		4	
	4	304.1.001.3B	Intake valve seat		4	
	4	304.1.001.3BB	Oversize intake valve seat 0.03		4	
	4	304.1.001.3BC	Oversize intake valve seat 0.06		4	
	5	210.2.004.2A	Intake valves pair (10 included)		2	
	6	304.1.002.2B	Exhaust valve seat		4	
	6	304.1.002.2BB	Oversize exhaust valve seat 0.03		4	
	6	304.1.002.2BC	Oversize exhaust valve seat 0.06		4	
	7	211.2.004.2A	Exhaust valves pair (10 included)		2	
	8	764.1.002.1A	Valve seal		8	
	9	840.9.001.1A	See table		8	
	10	669.1.001.1E	Split rings		16	
	11	840.9.002.1B	See table		8	
	12	821.1.004.1A	Closing rocker shaft		8	
	13	799.1.015.1A	L.H. valve return spring		4	
	14	209.1.002.4A	Closing rocker		4	
	15	209.1.001.4A	Closing rocker		4	
	16	799.1.014.1A	R.H. valve return spring		4	

NOTES	NO.	CODE NO.	DESCRIPTION	VALIDITY	Q.TY	
	17	821.1.003.1A	Exhaust opening rocker shaft		4	
	18	208.1.002.4A	Opening rocker		4	
	19	208.1.001.4A	Opening rocker		4	
	20	821.1.002.1A	Intake opening rocker shaft		4	

DRAWING 14

HEAD

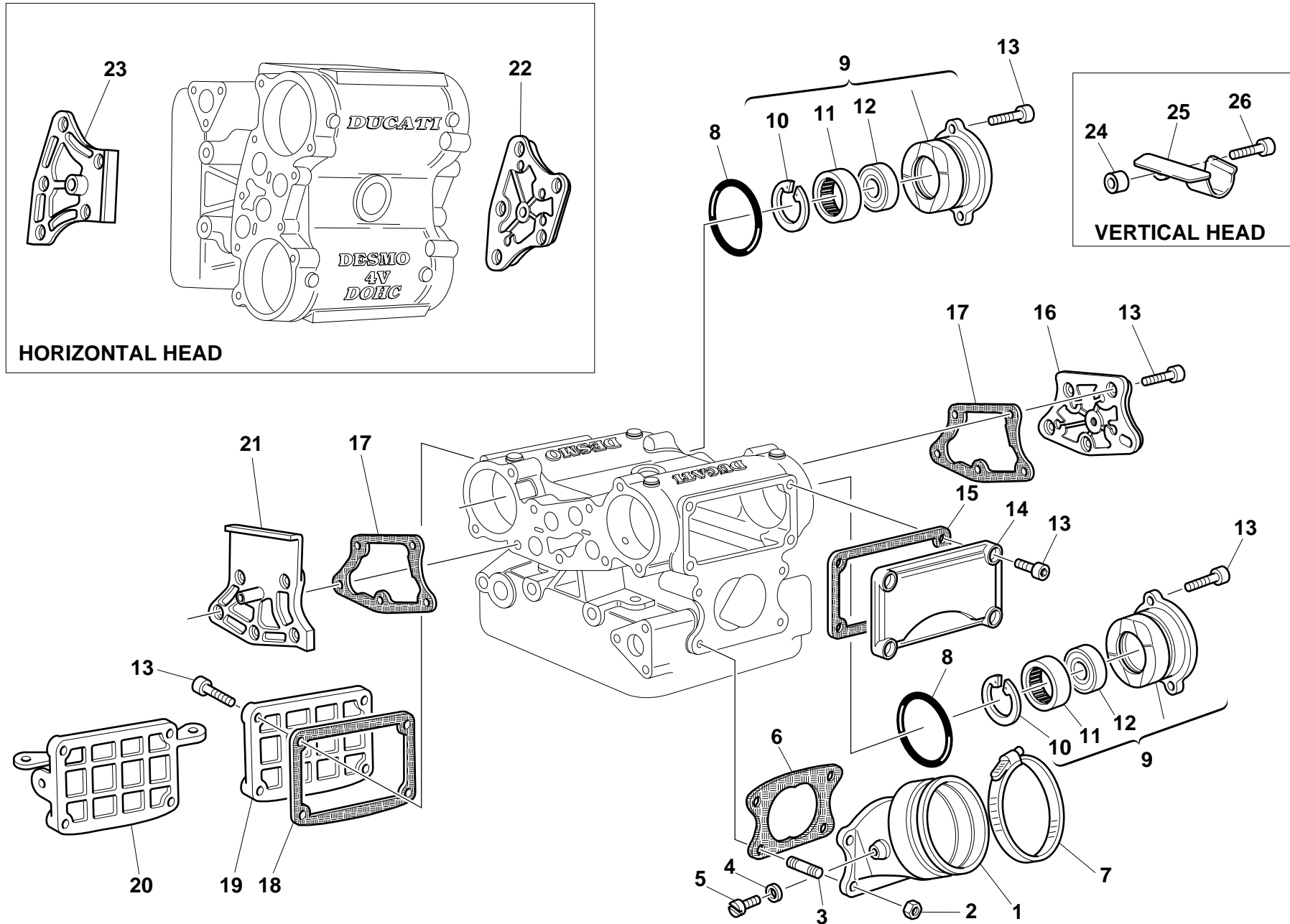


DRAWING **14** HEAD

NOTES	NO.	CODE NO.	DESCRIPTION	VALIDITY	Q.TY	
	1	72944.1542	Elastic-stop ring nut		4	
	2	0797.69.040	Washer		4	
	3	255.1.004.1A	Timing belt roller		4	
	4	856.1.002.1A	Belt roller separating washer		4	
	5	713.1.007.1A	Belt roller spacer		4	
	6	766.4.012.1A	Stud bolt		6	
	7	148.1.002.1A	Vertical exhaust camshaft		1	
	8	74172.1008	Woodruff key		1	
	9	148.1.001.1A	Vertical intake camshaft		1	
	10	70780.6516	Screw		6	
	11	247.1.020.1AA	Cover		2	
	12	93823.2087	O-ring		2	
	13	148.1.035.1A	Horizontal intake camshaft		1	
	14	148.1.004.1A	Horizontal exhaust camshaft		1	
	15	680.1.003.1H	Woodruff key		2	
	16	886.4.001.1A	O-Ring		4	
	17	60N107335	Screw		8	
	18	73503.3683	Circlip		4	
	19	873.1.004.1A	Cap		4	
	20	873.1.001.1A	Cap		4	
	21	235.2.018.1A	Rear complete cap timing side		1	
	22	235.2.017.1A	Front complete cap timing side		1	
	23	235.2.021.1A	Rear complete cap timing side		1	
	24	235.2.020.1A	Front complete cap timing side		1	
	25	93783.2235	Seal ring		4	
	26	75120.1747	Bearing		4	
	27	680.1.007.1A	Woodruff key 6°		1	

NOTES	NO.	CODE NO.	DESCRIPTION	VALIDITY	Q.TY	
-------	-----	----------	-------------	----------	------	---

DRAWING **15** COLLECTORS AND HEAD COVERS



DRAWING **15** COLLECTORS AND HEAD COVERS

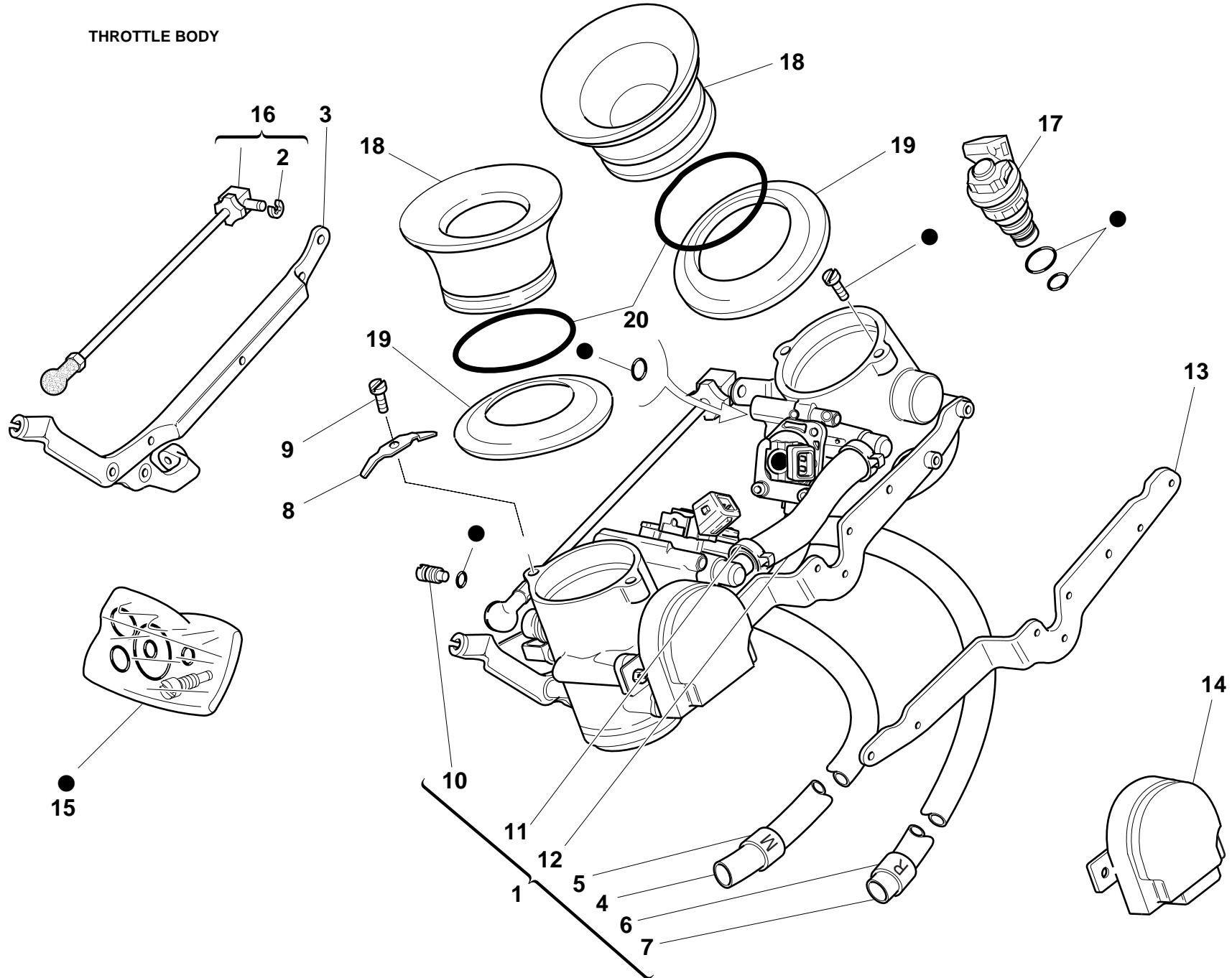
NOTES	NO.	CODE NO.	DESCRIPTION	VALIDITY	Q.TY	
	1	140.1.001.1A	Intake manifold		2	
	2	0000.44240	Nut		8	
	3	766.4.012.1A	Stud bolt		8	
	4	0250.70.223	Aluminium gasket		4	
	5	776.5.032.2A	Screw		4	
	6	788.1.002.2A	Intake duct gasket		2	
	7	741.4.022.1A	Clamp		2	
	8	886.4.001.1A	O-Ring		4	
	9	235.2.002.1AA	Complete cap tachometer side		4	
	10	73503.3380	Circlip		4	
	11	75794.1542	Bearing		4	
	12	93783.1730	Seal ring		4	
	13	60N107335	Screw		4	
	14	240.1.001.1AA	Intake valve cover		2	
	15	788.1.007.3A	Intake valves cover gasket		2	
	16	247.1.080.1A	Central cover		1	
	17	788.1.050.1A	Central cover gasket		4	
	18	788.1.053.1A	Exhaust valves cover gasket		2	
	19	240.1.014.1A	Exhaust valve cover		1	
	20	240.1.015.1A	Exhaust valve cover		1	
	21	247.1.090.1A	Central cover timing side		1	
	22	247.1.079.1A	Central cover		1	
	23	247.1.089.1A	Central cover timing side		1	
	24	0675.49.540	Spacer		1	
	25	829.1.245.1A	Plate		1	
	26	60N102510	Screw		1	

NOTES	NO.	CODE NO.	DESCRIPTION	VALIDITY	Q.TY	
-------	-----	----------	-------------	----------	------	---


TAVOLA
DRAWING
TABLE
BILD
TABLA

16

THROTTLE BODY



DRAWING **16** THROTTLE BODY

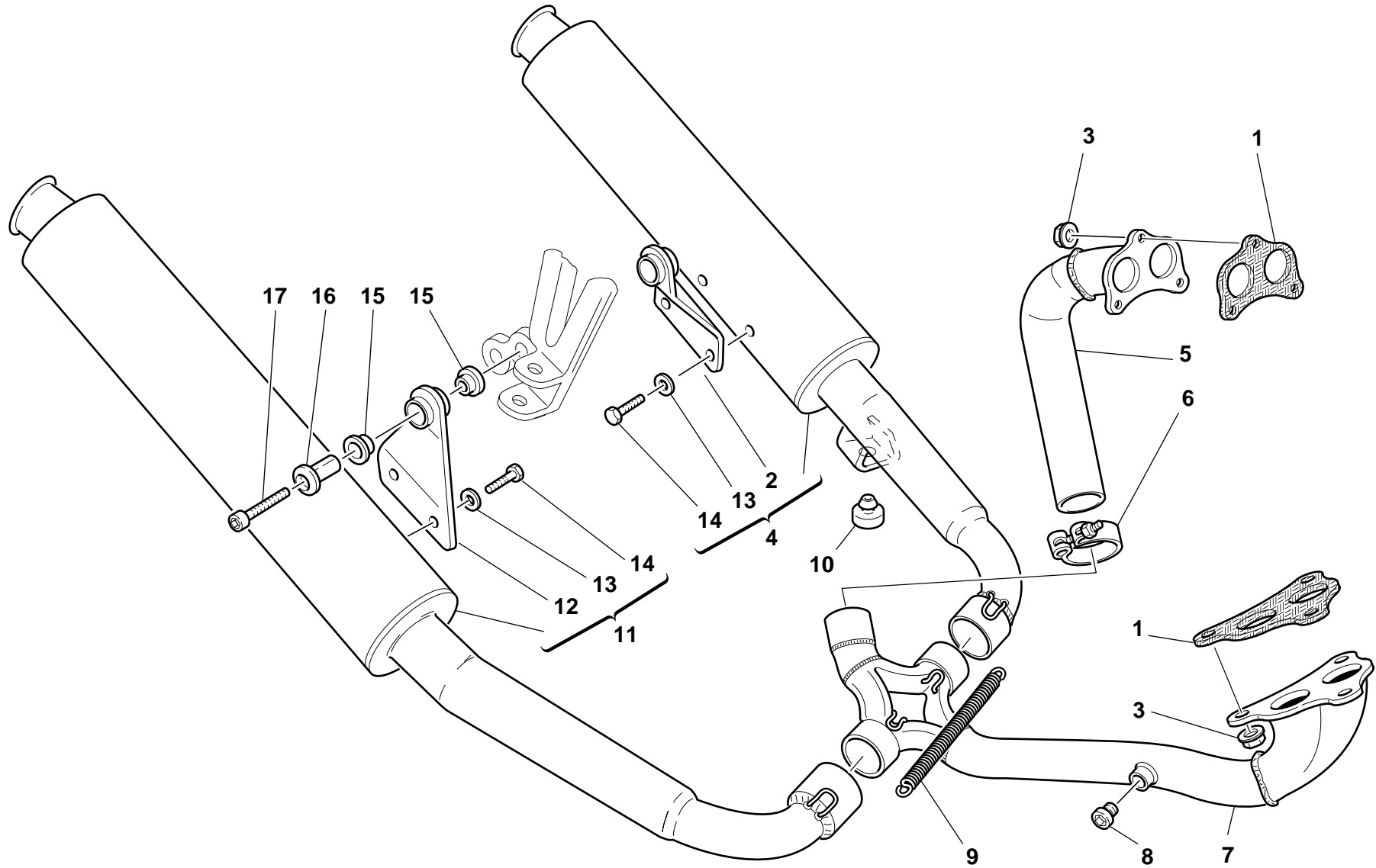
NOTES	NO.	CODE NO.	DESCRIPTION	VALIDITY	Q.TY 
	1	282.4.019.1A	Throttle body		1
	2	884.5.010.1A	Circlip		1
	3	830.1.172.1A	Bracket		1
	4	590.1.103.1A	Tube		1
	5	741.4.040.1A	Clamp "M"		1
	6	741.4.041.1A	Clamp "R"		1
	7	590.1.124.1A	Tube		1
	8	799.1.052.1A	Spring		4
	9	470412	Screw		4
	10	287.4.028.1A	Bypass adjusting screw		1
	11	287.4.024.1B	Clamp		4
	12	590.1.080.1A	Tube		1
	13	830.1.121.1A	Connector holder		1
	14	284.4.001.1B	Potentiometer PF09/04		1
	15	287.4.029.1A	Repair kit		1
	16	287.4.027.1A	Tie rod		1
	17	280.4.005.1A	Injector		2
	18	802.1.015.1A	Air funnel		2
	19	791.1.017.1A	Gasket		2
	20	886.5.004.1A	O-ring		2

NOTES	NO.	CODE NO.	DESCRIPTION	VALIDITY	Q.TY 
-------	-----	----------	-------------	----------	--


TAVOLA
DRAWING
TABLE
BILD
TABLA

17

EXHAUST SYSTEM



DRAWING **17** EXHAUST SYSTEM

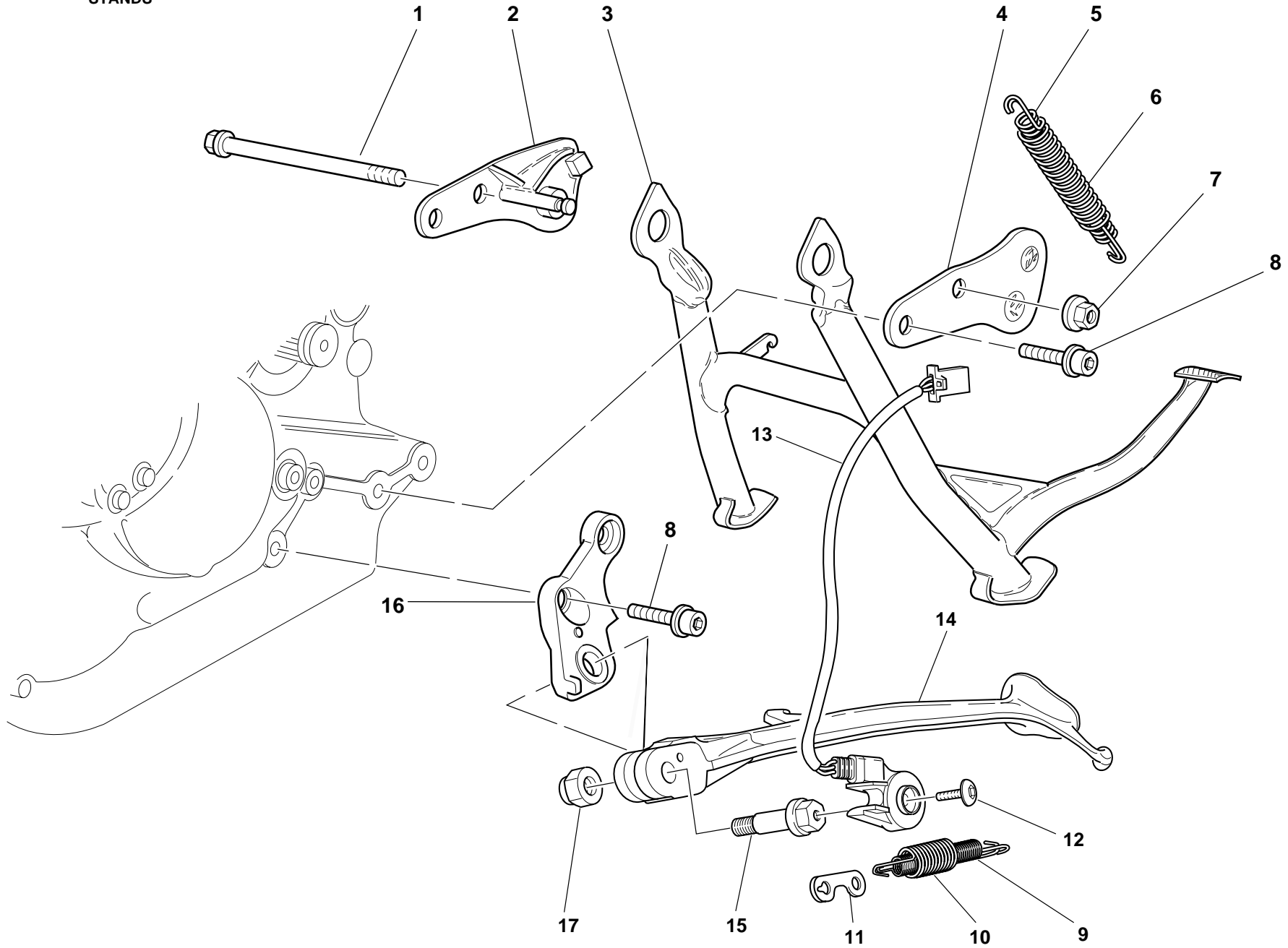
NOTES	NO.	CODE NO.	DESCRIPTION	VALIDITY	Q.TY 
	1	790.1.001.1A	Exhaust gasket		2
	2	576.1.029.1A	L.H. bracket		1
	3	748.4.002.7A	Nut		6
	4	574.1.045.1A	L.H. silencer		1
	5	571.1.035.1A	Vertical head exhaust pipe		1
	6	741.1.017.1A	Clamp		1
	7	570.1.035.1A	Horizontal head exhaust pipe		1
	8	780.1.007.1A	Cap		2
	9	799.1.072.1A	Spring		1
	10	0000.41039	Rubber pad		1
	11	573.1.045.1A	R.H. silencer		1
	12	576.1.028.1A	R.H. bracket		1
	13	73270.8001	Washer		4
	14	70914.2121	Screw		4
	15	764.1.001.1A	Rubber pad		4
	16	711.1.083.1A	Bush		2
	17	779.5.012.1A	Screw		2

NOTES	NO.	CODE NO.	DESCRIPTION	VALIDITY	Q.TY 
-------	-----	----------	-------------	----------	--


TAVOLA
DRAWING
TABLE
BILD
TABLA

18

STANDS



DRAWING **18** STANDS

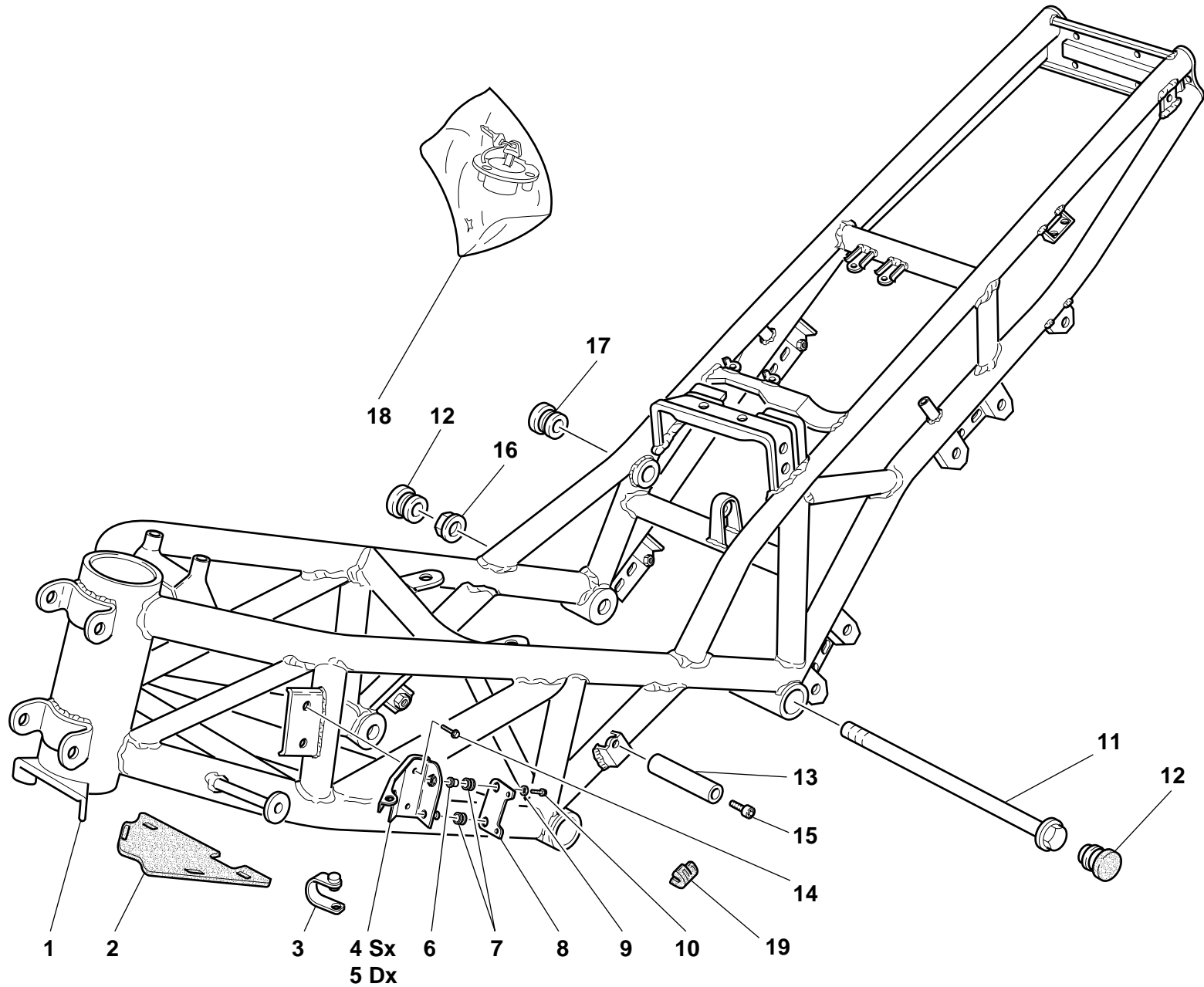
NOTES	NO.	CODE NO.	DESCRIPTION	VALIDITY	Q.TY	
	1	772.1.001.1A	Screw		1	
	2	555.1.007.1A	R. H. Plate		1	
	3	555.1.005.1A	Central stand		1	
	4	555.1.006.1A	L. H. Plate		1	
	5	799.1.069.1A	Inner spring		1	
	6	799.1.070.1A	Outer spring		1	
	7	749.4.045.2G	Nut		1	
	8	771.5.754.2B	Screw		4	
	9	799.1.089.1A	Spring		1	
	10	799.1.088.1A	Outer spring		1	
	11	827.1.139.1B	Plate		1	
	12	779.4.005.1A	Screw		1	
	13	539.1.023.1A	Switch		1	
	14	556.1.017.1C	Side stand		1	
	15	556.1.018.1C	Pivot		1	
	16	556.2.020.1B	Plate		1	
	17	749.4.045.2G	Nut		1	

NOTES	NO.	CODE NO.	DESCRIPTION	VALIDITY	Q.TY	
-------	-----	----------	-------------	----------	------	---


TAVOLA
DRAWING
TABLE
BILD
TABLA

19

FRAME



DRAWING **19** FRAME

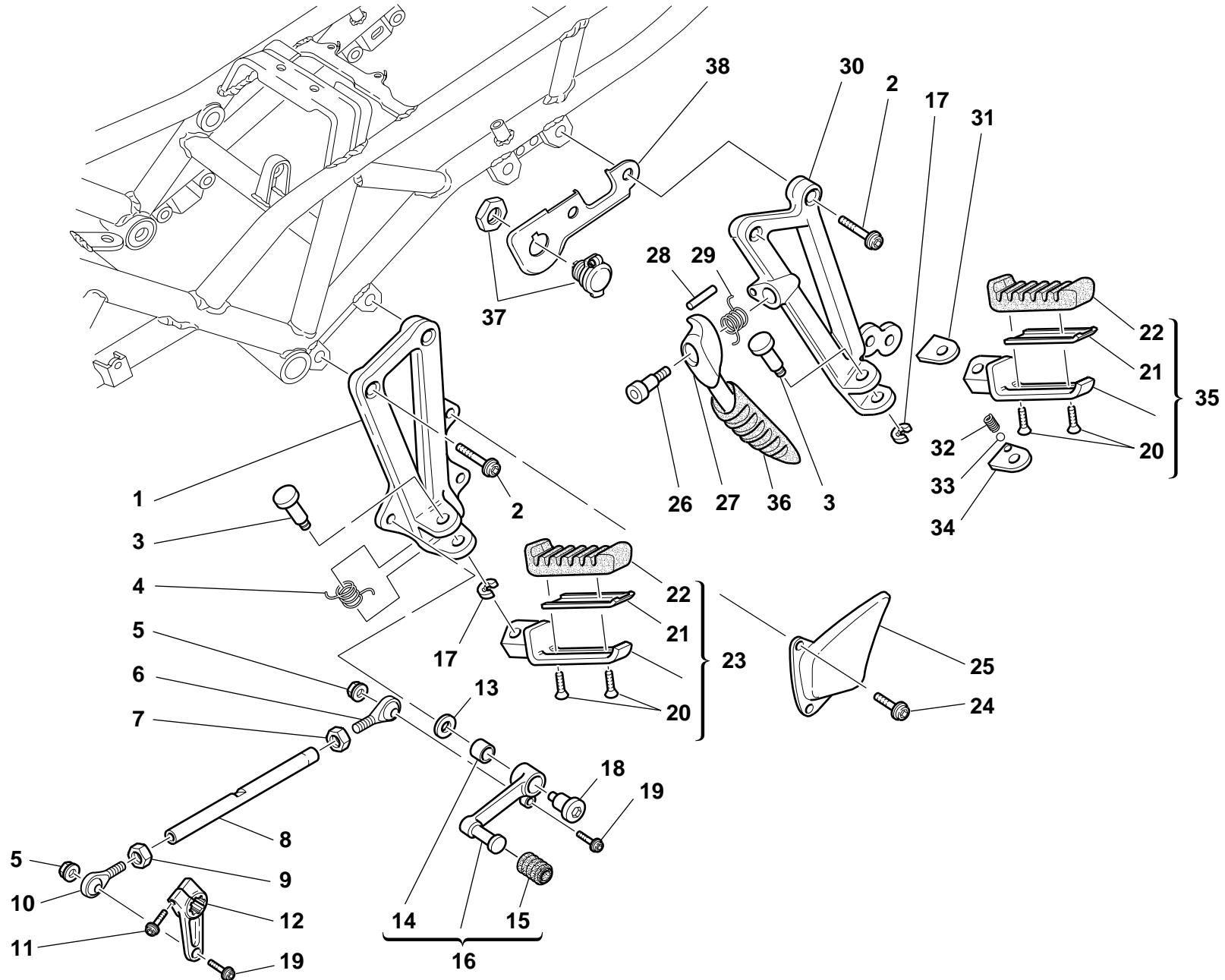
NOTES	NO.	CODE NO.	DESCRIPTION	VALIDITY	Q.TY 
	1	470.1.039.1AB	Frame		1
	2	460.1.088.1A	Mudflap		1
	3	741.1.013.1A	Clamp		4
	4	829.1.170.1A	L.H. holder		1
	5	829.1.169.1A	R.H. holder		1
	6	0000.44099	Spacer		2
	7	0797.72.068	Vibration damper pad		4
	8	830.1.040.1B	Holder		2
	9	8000.56359	Washer		2
	10	772.5.024.1A	Screw		2
	11	772.1.001.1A	Screw		2
	12	872.1.026.1A	Cap		2
	13	827.1.121.1A	Stud bolt		2
	14	772.5.025.1A	Screw		2
	15	60N102511	Screw		2
	16	729910FF1	Nut		2
	17	872.1.027.1A	Cap		1
	18	598.2.017.2A	Locks kit		1
	19	866.1.034.1A	Rubber pad		2
	20	764.1.010.1A	Rubber pad		1
	21	117.2.002.1A	Rod		1

NOTES	NO.	CODE NO.	DESCRIPTION	VALIDITY	Q.TY 
-------	-----	----------	-------------	----------	--

TAVOLA
DRAWING
TABLE
BILD
TABLA

20

L.H. FOOT RESTS



DRAWING **20** L.H. FOOT RESTS



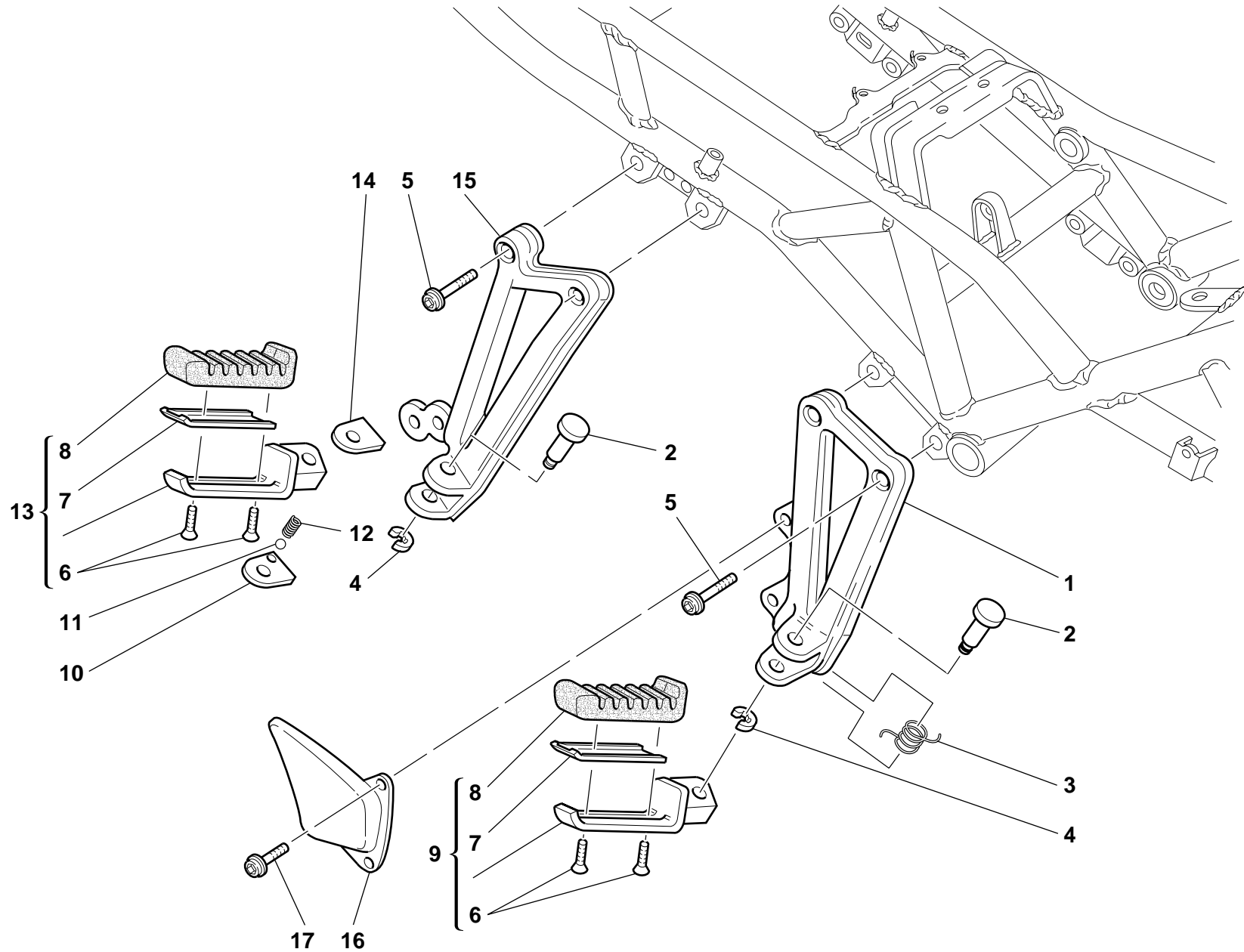
NOTES	NO.	CODE NO.	DESCRIPTION	VALIDITY	Q.TY 	NOTES	NO.	CODE NO.	DESCRIPTION	VALIDITY	Q.TY 
	1	824.1.039.1A	L.H. foot peg holder plate		1	28	861.5.003.1A	Spring pin			1
	2	771.5.725.2B	Screw		4	29	799.1.071.1A	Spring			1
	3	0370.69.920	Pin		2	30	824.1.041.1C	Rear L.H. foot peg holder plate			1
	4	0370.69.910	Spring		1	31	0370.69.970	Plate			1
	5	763106N01	El-stop nut		2	32	799.1.024.1A	Spring			1
	6	76401.0003	Ball joint		1	33	847.4.002.1A	Ball			1
	7	747.5.001.1A	L.H. nut		1	34	827.1.045.1A	Keep plate			1
	8	117.1.033.1A	Gearbox transmission rod		1	35	0370.69.860	Rear L.H. foot peg, complete			1
	9	417.9.030.6A	Nut		1	36	806.1.013.1A	Handgrip			1
	10	76401.0002	Ball joint		1	37	386.4.013.1A	Power Point			1
	11	779.5.001.1A	Screw		1	38	827.1.192.1A	Plate			1
	12	456.1.006.1A	Gearchange control lever		1						
	13	852.1.053.1A	Washer		1						
	14	8000.59056	Bush		1						
	15	765.1.001.1A	Rubber pad		1						
	16	456.2.009.1A	Gearchange lever		1						
	17	73500.0827	Circlip		2						
	18	80A0.53548	Pin		1						
	19	772.5.024.1A	Screw		2						
	20	777.5.002.1A	Screw		4						
	21	0370.69.930	Plate		2						
	22	0370.69.940	Foot peg rubber cover		2						
	23	0370.69.850	Front L.H. foot peg, complete		1						
	24	772.5.004.1A	Screw		2						
	25	460.1.062.1A	Protection		1						
	26	779.1.159.1A	Screw		1						
	27	806.1.012.1A	Handle		1						

TAVOLA
DRAWING
TABLE
BILD
TABLA

21

R.H. FOOT RESTS



DRAWING **21** R.H. FOOT RESTS

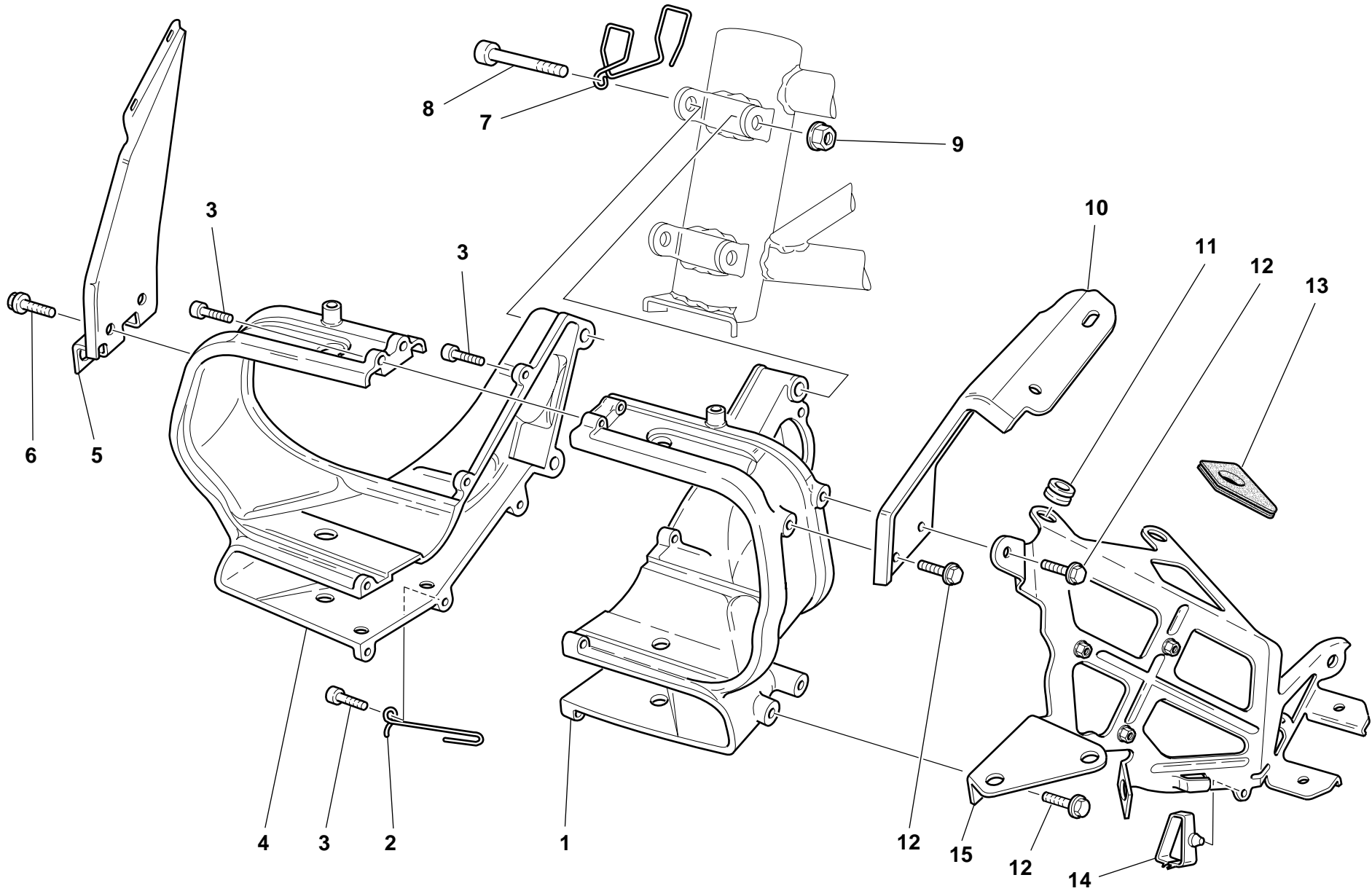
NOTES	NO.	CODE NO.	DESCRIPTION	VALIDITY	Q.TY 
	1	824.1.040.1B	R.H. foot peg holder plate		1
	2	0370.69.920	Pin		2
	3	0370.69.910	Spring		1
	4	73500.0827	Circlip		2
	5	771.5.725.2B	Screw		4
	6	777.5.002.1A	Screw		4
	7	0370.69.930	Plate		2
	8	0370.69.940	Foot peg rubber cover		2
	9	0370.69.855	Front R.H. foot peg, complete		1
	10	827.1.045.1A	Keep plate		1
	11	847.4.002.1A	Ball		1
	12	799.1.024.1A	Spring		1
	13	0370.69.865	Rear R.H. foot peg, complete		1
	14	0370.69.970	Plate		1
	15	824.1.042.1C	Rear R.H. foot peg holder plate		1
	16	460.1.063.1A	Protection		1
	17	772.5.004.1A	Screw		2

NOTES	NO.	CODE NO.	DESCRIPTION	VALIDITY	Q.TY 
-------	-----	----------	-------------	----------	--


TAVOLA
DRAWING
TABLE
BILD
TABLA

22

HEADLIGHT HOLDER



DRAWING **22** HEADLIGHT HOLDER

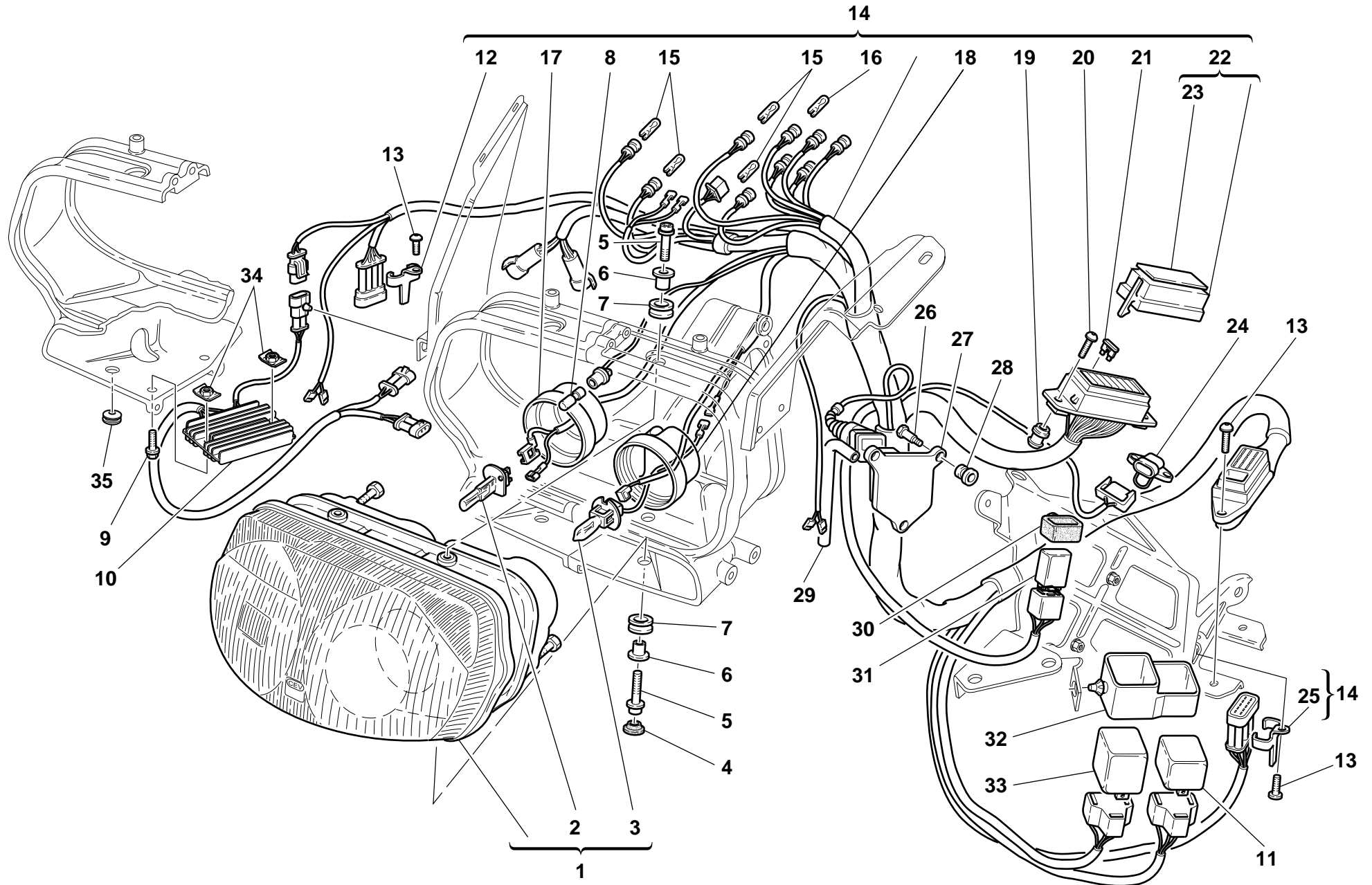
NOTES	NO.	CODE NO.	DESCRIPTION	VALIDITY	Q.TY 
	1	829.1.168.1AA	L.H. holder		1
	2	881.1.027.2A	Fairlead		1
	3	771.5.043.2B	Screw		8
	4	829.1.167.1AA	R.H. holder		1
	5	829.1.174.1A	R.H. mirror holder		1
	6	772.5.023.1A	Screw		2
	7	758.1.019.1A	Fairlead		1
	8	771.5.141.2B	Screw		2
	9	729908FN1	Nut		2
	10	829.1.175.2A	L.H. mirror holder		1
	11	0797.72.068	Vibration damper pad		2
	12	772.5.024.1A	Screw		4
	13	829.1.204.1A	Holder		1
	14	0000.60283	Clamp		1
	15	829.1.179.1A	Holder		1

NOTES	NO.	CODE NO.	DESCRIPTION	VALIDITY	Q.TY 
-------	-----	----------	-------------	----------	--

TAVOLA
DRAWING
TABLE
BILD
TABLA

23

HEAD-LIGHT AND ELECTRIC WIRING



DRAWING **23** HEAD-LIGHT AND ELECTRIC WIRING



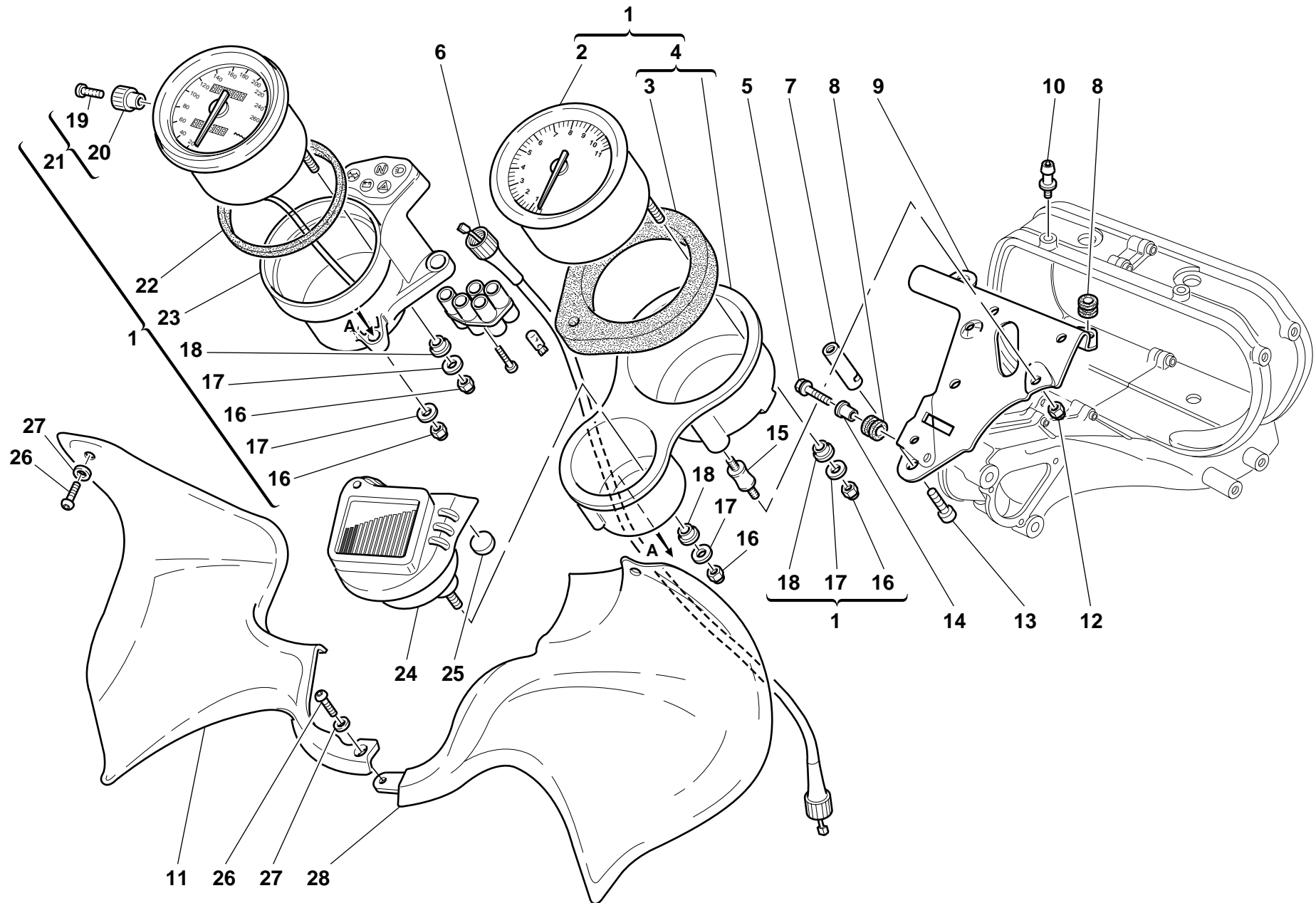
NOTES	NO.	CODE NO.	DESCRIPTION	VALIDITY	Q.TY 	NOTES	NO.	CODE NO.	DESCRIPTION	VALIDITY	Q.TY 
	1	520.4.012.2B	Complete headlight		1	24	552.4.012.1A	Air temperature sensor			1
	2	0000.79672	Bulb		1	25	827.1.090.1A	L.H. plate			1
	3	0000.79673	Bulb		1	26	779.1.157.1A	Special screw			3
	4	764.4.003.1A	Fairlead		2	27	552.4.002.1A	Pressure sensor			1
	5	772.5.024.1A	Screw		4	28	764.1.016.1A	Vibration damper pad			3
	6	716.1.022.1A	Spacer		4	29	877.1.040.1A	Tube			1
	7	8000.18048	Rubber pad		4	30	829.1.190.1A	Rubber holder			1
	8	0000.36230	Bulb		1	31	541.4.003.1A	Relay			1
	9	0000.62729	Screw		2	32	829.1.183.1A	Holder			1
	10	540.4.011.1C	Regulator		1	33	538.4.005.1A	Flashing device			1
	11	287.4.014.1A	Relay		1	34	827.1.166.1A	Plate			2
	12	827.1.089.1A	R.H. plate		1						
	13	8000.59572	Screw		4						
	14	510.1.147.1A	Wiring		1						
	15	0000.56750	Warning lamp bulb12V-2.1W		4						
	16	0000.20602	Warning lamp bulb12V-1.2W		5						
	17	672.1.022.1A	Headlight cover		1						
	18	672.1.019.1A	Headlight cover		1						
	19	821.1.054.1A	Pin		2						
	20	8000.65535	Screw		2						
	21	389.4.014.1A	Fuse 40A		1						
	21	389.4.006.1A	Fuse 3A		2						
	21	389.4.007.1A	Fuse 7.5A		3						
	21	389.4.008.1A	Fuse 15A		2						
	21	389.4.010.1A	Fuse 30A		1						
	22	246.1.009.1A	Cover		1						
	23	433.1.238.1A	Sticker "schema fusibili"		1						

TAVOLA
DRAWING
TABLE
BILD
TABLA

24

INSTRUMENT PANEL



DRAWING **24** INSTRUMENT PANEL

NOTES	NO.	CODE NO.	DESCRIPTION	VALIDITY	Q.TY 
	1	400.2.013.1D	Complete instrument panel (speedometer - miles)		1
	2	402.4.012.1A	Tachometer		1
	3	408.1.001.1A	Vibration damper sponge		1
	4	0000.78348	Tachometer holder		1
	5	60N102488	Screw		1
	6	403.1.009.1A	Speedometer transmission		1
	7	684.1.022.1B	Stud bolt		1
	8	8000.18048	Rubber pad		3
	9	829.1.177.1A	Plate		1
	10	821.1.075.1A	Pin		2
	11	460.1.074.1A	L.H. side panel		1
	12	8000.42278	Nut		3
	13	70620.5212	Screw		1
	14	716.1.022.1A	Spacer		1
	15	8000.56752	Rubber pad		3
	16	8000.56748	Nut		7
	17	8000.56747	Washer		7
	18	408.1.010.1A	Rubber pad		5
	19	776.4.002.1A	Screw		1
	20	8000.56742	Grip		1
	21	401.4.010.1A	Speedometer (miles)		1
	22	8000.56741	Gasket		1
	23	407.4.001.1B	Speedometer holder		1
	24	404.1.005.1A	Module LCD (°F)		1
	25	764.5.018.1A	Rubber pad		3
	26	779.1.116.1A	Screw		3


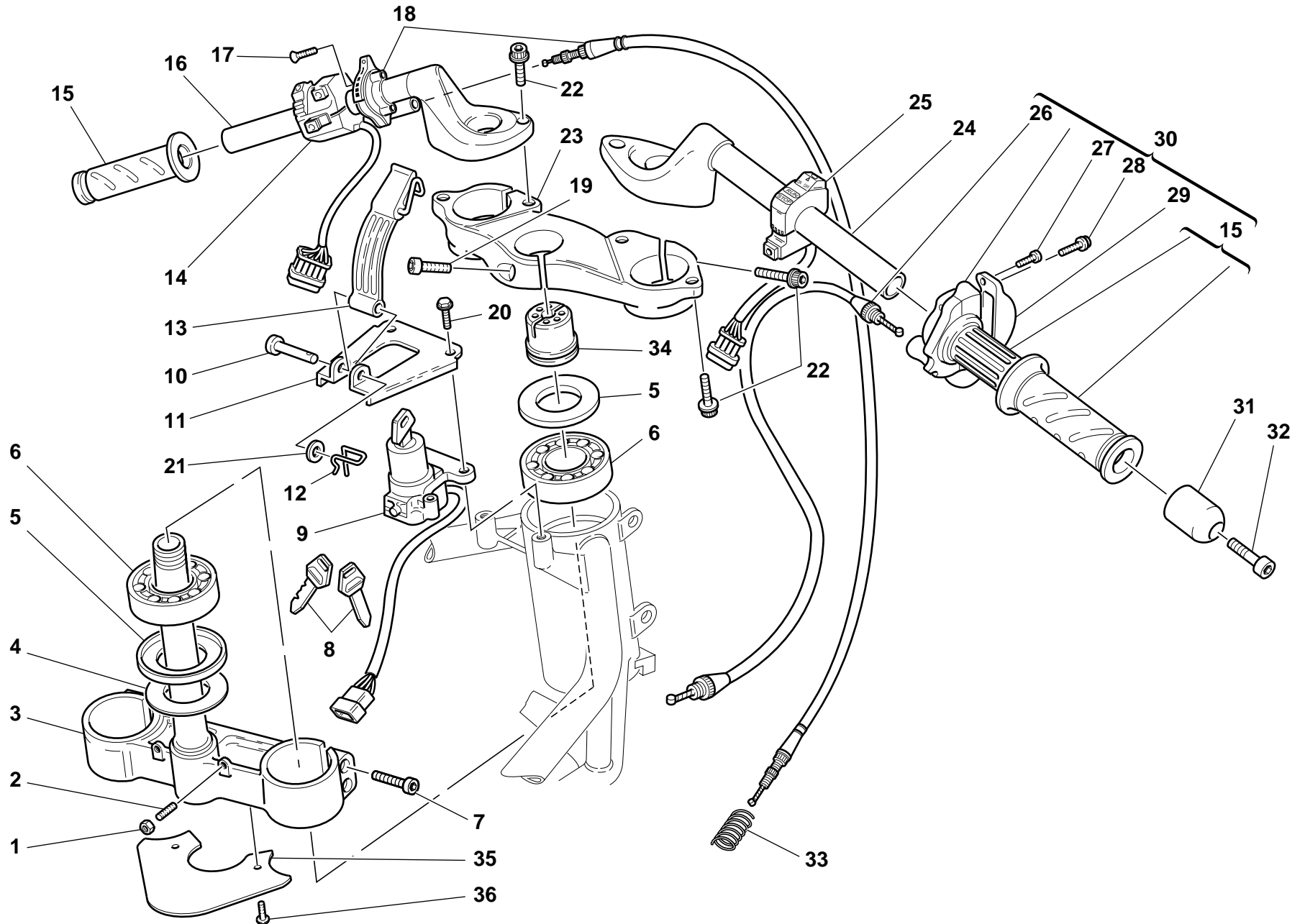
NOTES	NO.	CODE NO.	DESCRIPTION	VALIDITY	Q.TY 
	27	852.1.024.1A	Nylon washer		3
	28	460.1.073.1A	R.H. side panel		1



TAVOLA
DRAWING
TABLE
BILD
TABLA

25

HANDLEBAR AND CONTROLS



DRAWING **25** HANDLEBAR AND CONTROLS

NOTES	NO.	CODE NO.	DESCRIPTION	VALIDITY	Q.TY 	NOTES	NO.	CODE NO.	DESCRIPTION	VALIDITY	Q.TY 
	1	417.9.030.8A	Nut		2	28	772.5.023.1A	Screw			2
	2	779.1.099.1A	Special screw		2	29	658.4.002.1B	Cover			1
	3	342.2.015.1A	Steering head base		1	30	654.4.006.1A	Throttle control			1
	4	852.1.103.1A	Washer		1	31	153.1.005.1A	Counterweight			2
	5	930.1.004.1A	Seal ring		2	32	779.5.012.1A	Screw			2
	6	702.4.004.1A	Bearing		2	33	779.1.058.1A	Special screw			1
	7	60N102557	Screw		4	34	703.1.013.1A	Ring nut			1
	8	598.4.011.1A	Wrench		1	35	460.1.076.1A	Mudflap			1
	9	652.4.004.2A	Key-operated switch		1	36	772.5.004.1A	Screw			2
	10	821.1.073.1A	Pin		1						
	11	827.1.122.1A	Plate		1						
	12	0000.62705	Split pin		1						
	13	8000.70178	Belt		1						
	14	651.4.008.1A	L.H. switch		1						
	15	0000.78345	Grips pair		1						
	16	360.1.015.1B	L.H. handlebar		1						
	17	777.5.210.2A	Screw		2						
	18	655.2.001.1A	Starter control		1						
	19	779.5.012.1A	Screw		1						
	20	772.5.024.1A	Screw		2						
	21	60N115503	Washer		1						
	22	771.5.725.2B	Screw		6						
	23	341.1.020.1A	Steering head		1						
	24	360.1.014.1B	R.H. handlebar		1						
	25	650.4.006.1B	R.H. switch		1						
	26	656.1.024.1A	Throttle control transmission		1						
	27	8000.66774	Screw		2						

DRAWING **26** FRONT FORK

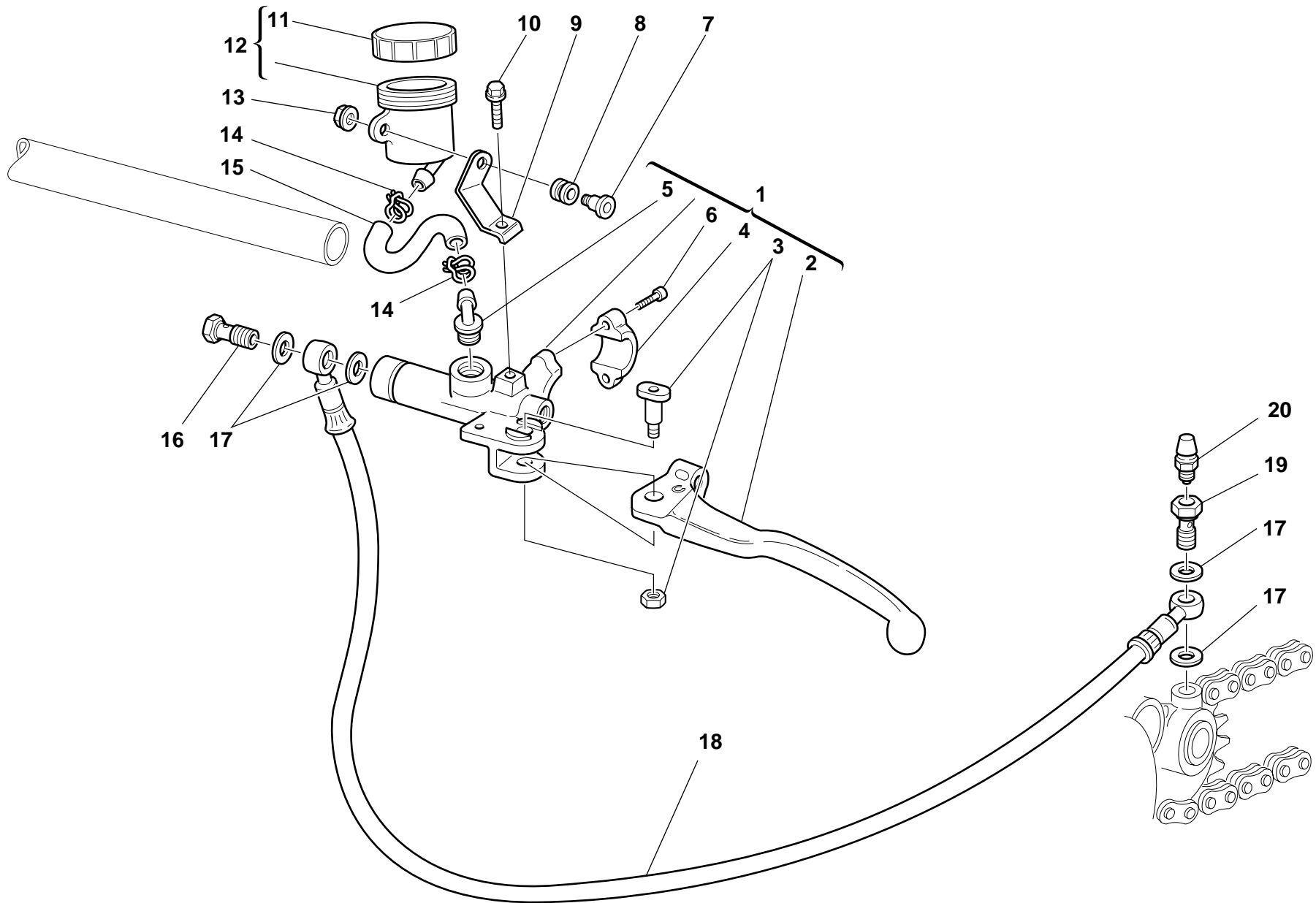
NOTES	NO.	CODE NO.	DESCRIPTION	VALIDITY	Q.TY 
	1	340.2.069.1B	R.H. fork leg assembly		1
	2	349.1.095.1A	Centering ring		2
	3	349.1.112.1A	Spring coupling		2
	4	340.2.070.1B	L.H. fork leg assembly		1
	5	884.1.005.1A	Ring		2
	6	347.1.014.1A	Spring		2
	7	349.1.097.1A	Spring coupling		2
	8	349.1.064.1A	Slider		2
	9	349.1.065.1A	Rubber cush drive hub		2
	10	349.2.014.1A	Complete cap		2
	11	349.1.098.1A	Snap ring		2
	12	8000.70127	Clamp		3
	13	8A00.69056	Screw		4
	14	8000.70133	Clamp		1
	15	349.2.010.1A	Adjusting screw		2
	16	349.1.096.1A	Special washer		2
	17	349.1.109.1A	Complete R.H. slider		1
	18	349.1.101.1A	Dust seal		2
	19	930.1.005.1A	Seal ring		2
	20	349.1.102.1A	Check ring		2
	21	349.1.103.1A	Bush		2
	22	349.1.111.1A	Stanchion tube		2
	23	349.1.120.1A	Bush		2
	24	349.1.110.1A	Complete L.H. slider		1

NOTES	NO.	CODE NO.	DESCRIPTION	VALIDITY	Q.TY 
-------	-----	----------	-------------	----------	--


TAVOLA
DRAWING
TABLE
BILD
TABLA

27

CLUTCH CONTROL



DRAWING **27** **CLUTCH CONTROL**

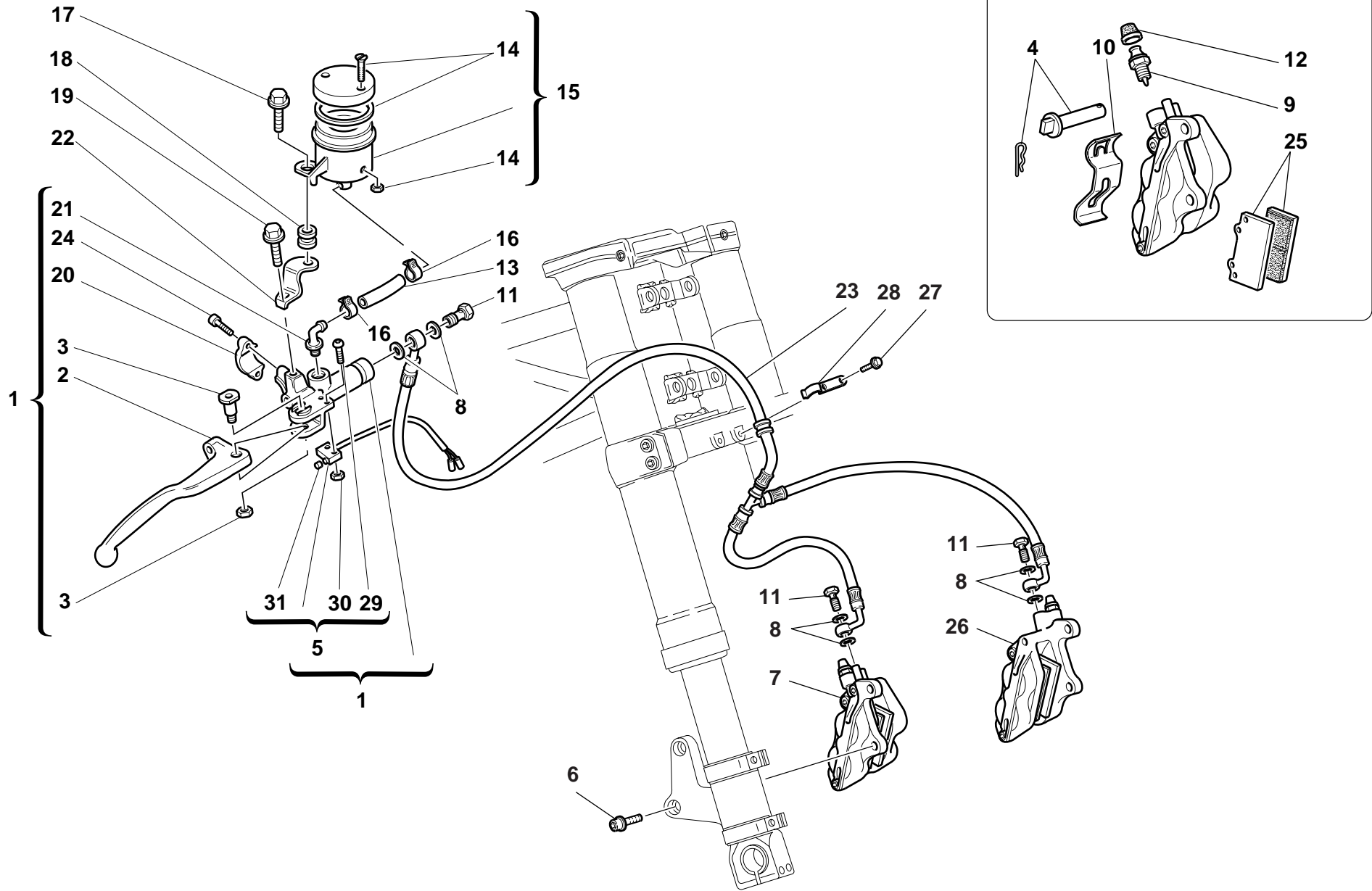
NOTES	NO.	CODE NO.	DESCRIPTION	VALIDITY	Q.TY 
	1	630.4.006.1A	Clutch drive pump		1
	2	626.1.003.1A	Lever with dowel		1
	3	0000.46664	Spare lever pin		1
	4	626.4.010.1A	Spare bracket		1
	5	631.4.008.1A	Spare union		1
	6	771.5.667.2B	Screw		2
	7	779.1.092.1A	Screw		1
	8	0370.72.020	Vibration damper pad		1
	9	829.1.241.1A	Plate		1
	10	70700.6N02	Screw		1
	11	893.4.005.1A	Cap		1
	12	0000.61078	Complete oil tank		1
	13	8000.56443	Nut		1
	14	741.4.043.1A	Clamp		2
	15	877.1.069.1A	Tube		1
	16	779.1.058.1A	Special screw		1
	17	420.2.001.0A	Copper gasket		4
	18	632.1.013.1B	Clutch control pipe		1
	19	779.1.082.1A	Filler		1
	20	0000.33552	Bleed		1

NOTES	NO.	CODE NO.	DESCRIPTION	VALIDITY	Q.TY 
-------	-----	----------	-------------	----------	--

TAVOLA
DRAWING
TABLE
BILD
TABLA

28

FRONT HYDRAULIC BRAKE



DRAWING **28** FRONT HYDRAULIC BRAKE

NOTES	NO.	CODE NO.	DESCRIPTION	VALIDITY	Q.TY 
	1	624.4.012.1B	Front brake pump		1
	2	626.1.003.1A	Lever with dowel		1
	3	0000.46664	Spare lever pin		1
	4	612.4.014.1A	Spare pins and spring		2
	5	539.4.004.1B	Microswitch		1
	6	8A00.69056	Screw		4
	7	610.4.012.2C	R.H. brake caliper		1
	8	420.2.001.0A	Copper gasket		6
	9	631.4.004.1A	Spare bleed union		2
	10	612.4.017.1A	Spring		2
	11	779.1.058.1A	Special screw		3
	12	612.4.008.1A	Dust seal		2
	13	877.1.068.1A	Tube		1
	14	8000.68490	Spare cap		1
	15	0000.66181	Complete oil tank		1
	16	741.4.043.1A	Clamp		2
	17	779.1.092.1A	Screw		1
	18	0370.72.020	Vibration damper pad		1
	19	70700.6N02	Screw		1
	20	626.4.010.1A	Spare bracket		1
	21	631.4.008.1A	Spare union		1
	22	829.1.240.1A	Bracket		1
	23	618.4.032.1D	Caliper pump pipe		1
	24	771.5.667.2B	Screw		2
	25	613.4.021.1B	Pads pair		2
	26	610.4.011.2C	L.H. brake caliper		1


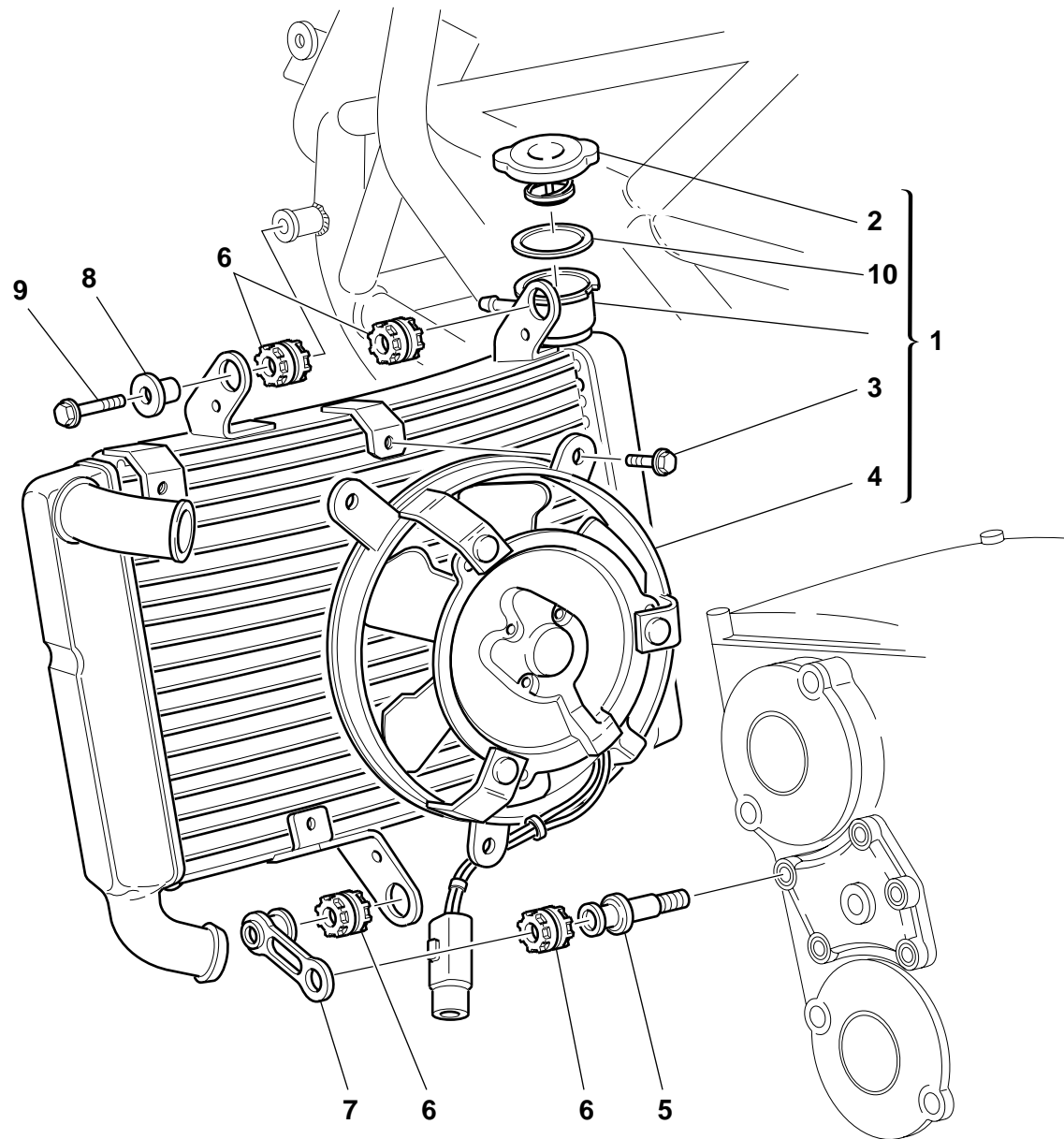
NOTES	NO.	CODE NO.	DESCRIPTION	VALIDITY	Q.TY 
	27	772.5.025.1A	Screw		2
	28	829.1.208.1A	Holder		1
	29	776.5.307.2A	Screw		2
	30	72465.0214	Nut		2
	31	195.4.002.1A	Rubber pad		1


TAVOLA
DRAWING
TABLE
BILD
TABLA

29

WATER RADIATOR ASSY



DRAWING **29** WATER RADIATOR ASSY

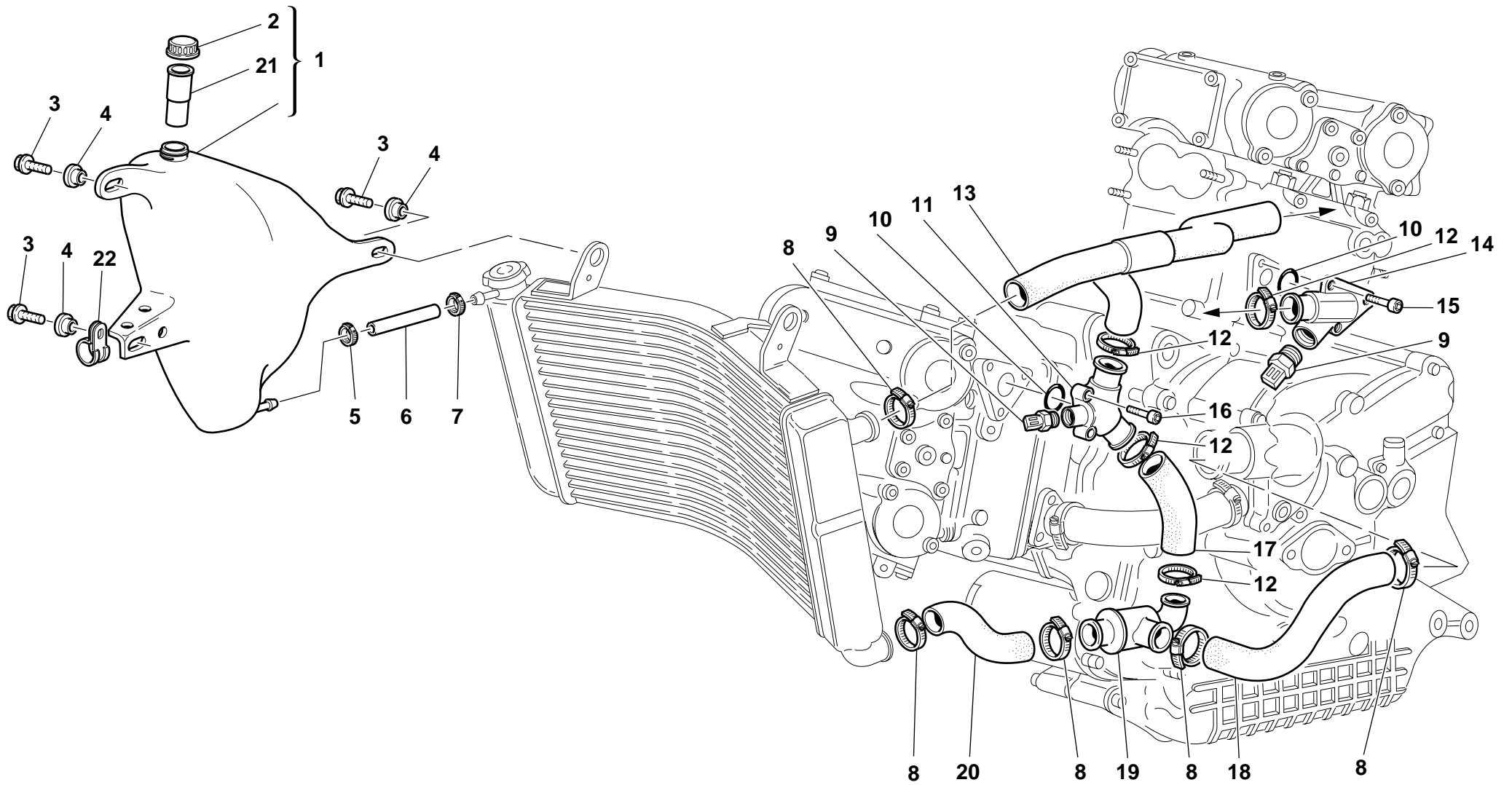
NOTES	NO.	CODE NO.	DESCRIPTION	VALIDITY	Q.TY 
	1	548.4.019.1A	Water radiator		1
	2	893.1.003.1A	Radiator cap		1
	3	772.5.025.1A	Screw		3
	4	550.4.008.1A	Electric fan		1
	5	779.1.059.1A	Special screw		1
	6	0000.62651	Vibration damper pad		4
	7	827.2.003.1A	Bracket		1
	8	0000.62652	Spacer		1
	9	772.5.023.1A	Screw		1
	10	0272.91.090	Gasket		1

NOTES	NO.	CODE NO.	DESCRIPTION	VALIDITY	Q.TY 
-------	-----	----------	-------------	----------	--


TAVOLA
DRAWING
TABLE
BILD
TABLA

30

COOLING CIRCUIT



DRAWING **30** COOLING CIRCUIT

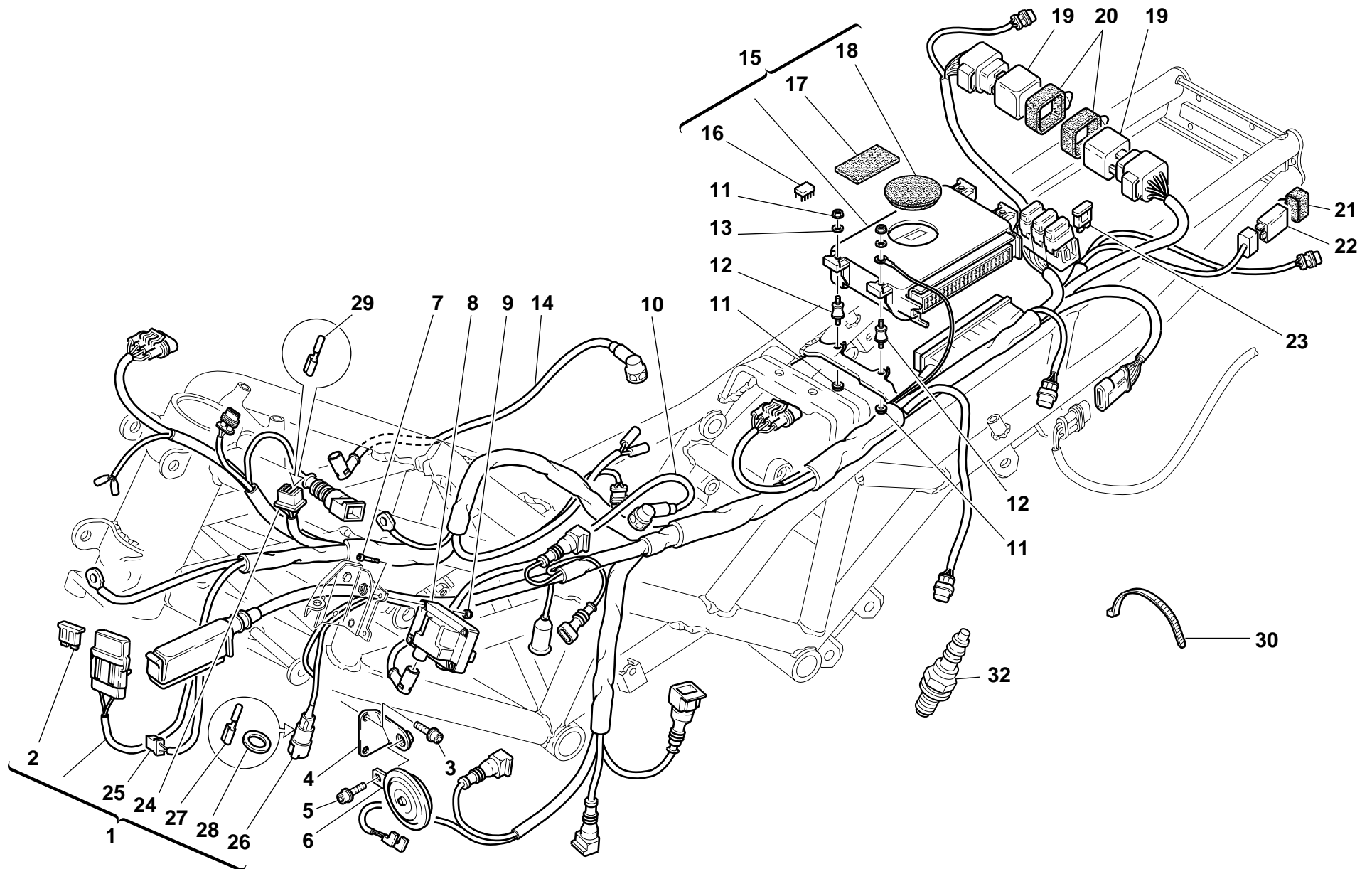
NOTES	NO.	CODE NO.	DESCRIPTION	VALIDITY	Q.TY 
	1	585.1.020.1A	Water tank		1
	2	0000.40427	Tank cap		1
	3	772.5.023.1A	Screw		4
	4	716.1.038.1A	Spacer		4
	5	8A00.67610	Clamp		1
	6	800.1.049.1A	Hose		1
	7	741.4.001.1A	Clamp		1
	8	741.4.025.1A	Clamp		5
	9	552.4.013.1A	Water temperature sensor		2
	10	93823.2087	O-ring		2
	11	814.1.063.1A	Water outlet union		1
	12	741.4.002.1A	Clamp		4
	13	800.1.048.1A	Radiator/head hose		1
	14	814.1.053.1A	Water outlet union		1
	15	60N102511	Screw		3
	16	771.5.072.2B	Screw		3
	17	800.1.033.1A	Thermostat/pump hose		1
	18	800.1.053.1A	Thermostat/pump hose		1
	19	553.4.003.1A	Thermostat		1
	20	800.1.054.1A	Cooler/thermostat hose		1
	21	711.1.084.1A	Bush		1
	22	741.4.055.1A	Clamp		1

NOTES	NO.	CODE NO.	DESCRIPTION	VALIDITY	Q.TY 
-------	-----	----------	-------------	----------	--

TAVOLA
DRAWING
TABLE
BILD
TABLA

31


ELECTRIC SYSTEM



DRAWING **31** ELECTRIC SYSTEM

NOTES	NO.	CODE NO.	DESCRIPTION	VALIDITY	Q.TY 
	1	510.1.142.1B	Electric wiring		1
	2	389.4.005.1A	Fuse 30A		1
	3	60N102510	Screw		2
	4	829.1.217.1A	Holder		1
	5	771.5.721.2B	Screw		1
	6	516.4.001.1AB	Horn (BLACK)		1
	7	771.5.025.2B	Screw		4
	8	285.4.003.1A	Coil		2
	9	749.5.001.1A	Nut		4
	10	671.1.010.1A	Horizontal head spark plug wiring		1
	11	750.5.001.1A	Nut		8
	12	700.1.023.2A	Vibration damper		4
	13	80A0.06385	Washer		1
	14	671.1.009.1A	Vertical head spark plug wiring		1
	15	286.4.012.1A	Injection control unit		1
	16	546.1.097.1A	EPROM		1
	17	433.1.179.1A	Plate "NON RIMUOVERE"		1
	18	872.4.018.1A	Rubber cap		1
	19	287.4.040.1A	Relay		2
	20	829.1.127.1A	Holder		2
	21	829.1.190.1A	Rubber holder		1
	22	541.4.003.1A	Relay		1
	23	389.4.007.1A	Fuse 7.5A		2
	23	389.4.013.1A	Fuse 20A		1
	24	0000.66526	Connector		1
	25	0000.56803	Connector		1

CATALOGUE No.: 915.1.063.1B
ISSUED: 12 - 99

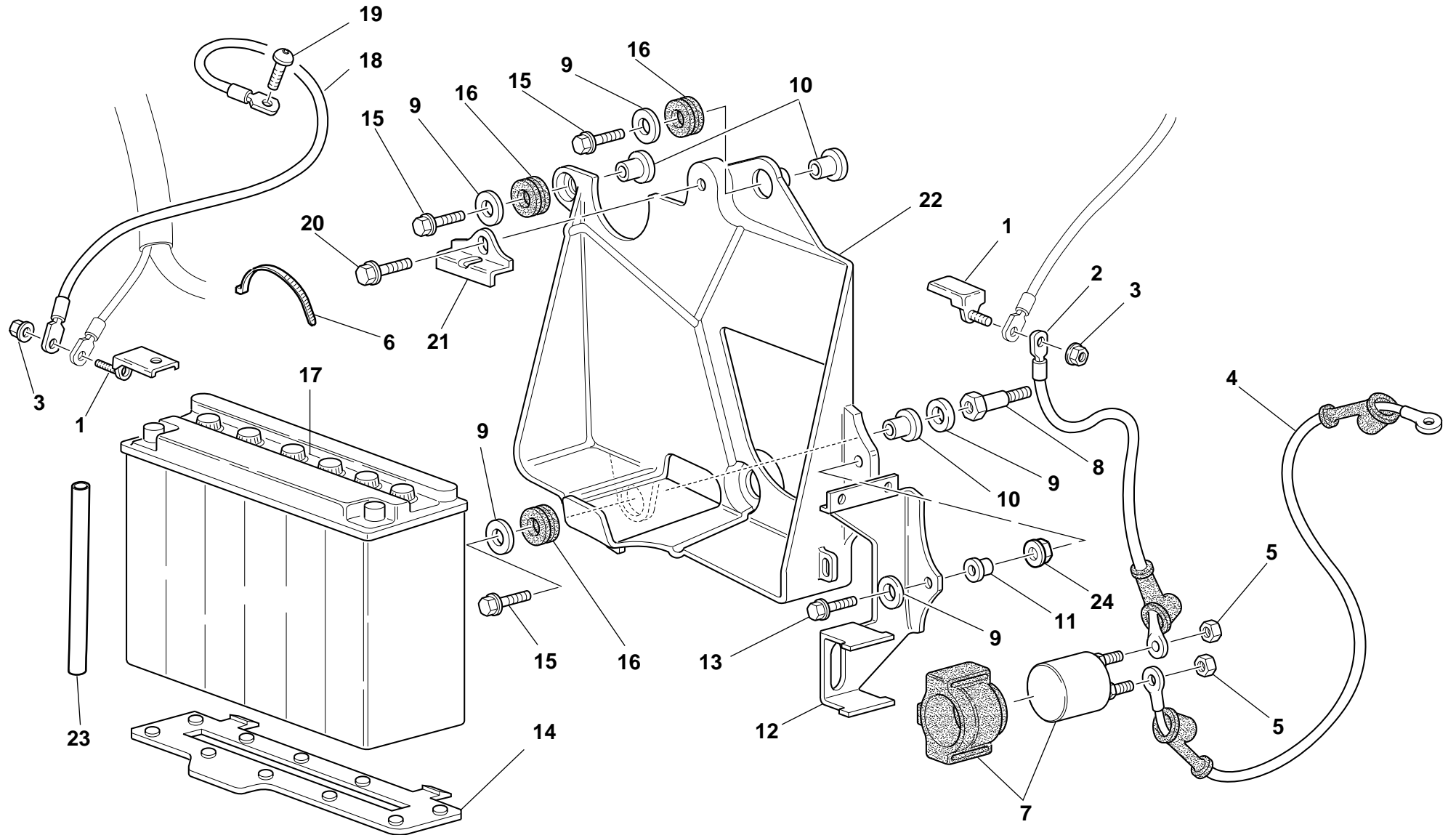
NOTES	NO.	CODE NO.	DESCRIPTION	VALIDITY	Q.TY 
	26	386.4.006.1A	Connector		1
	27	387.4.002.1A	End section		2
	28	764.4.005.1A	Rubber pad		1
	29	0000.66527	End section		4
	30	741.4.038.1A	Clamp		12
	31	0675.49.540	Spacer		2
	32	670.4.012.1A	Spark plug		2

CATALOGUE No.: 915.1.063.1B
ISSUED: 12 - 99


TAVOLA
DRAWING
TABLE
BILD
TABLA

32

BATTERY BOX MOUNT



DRAWING **32** BATTERY BOX MOUNT

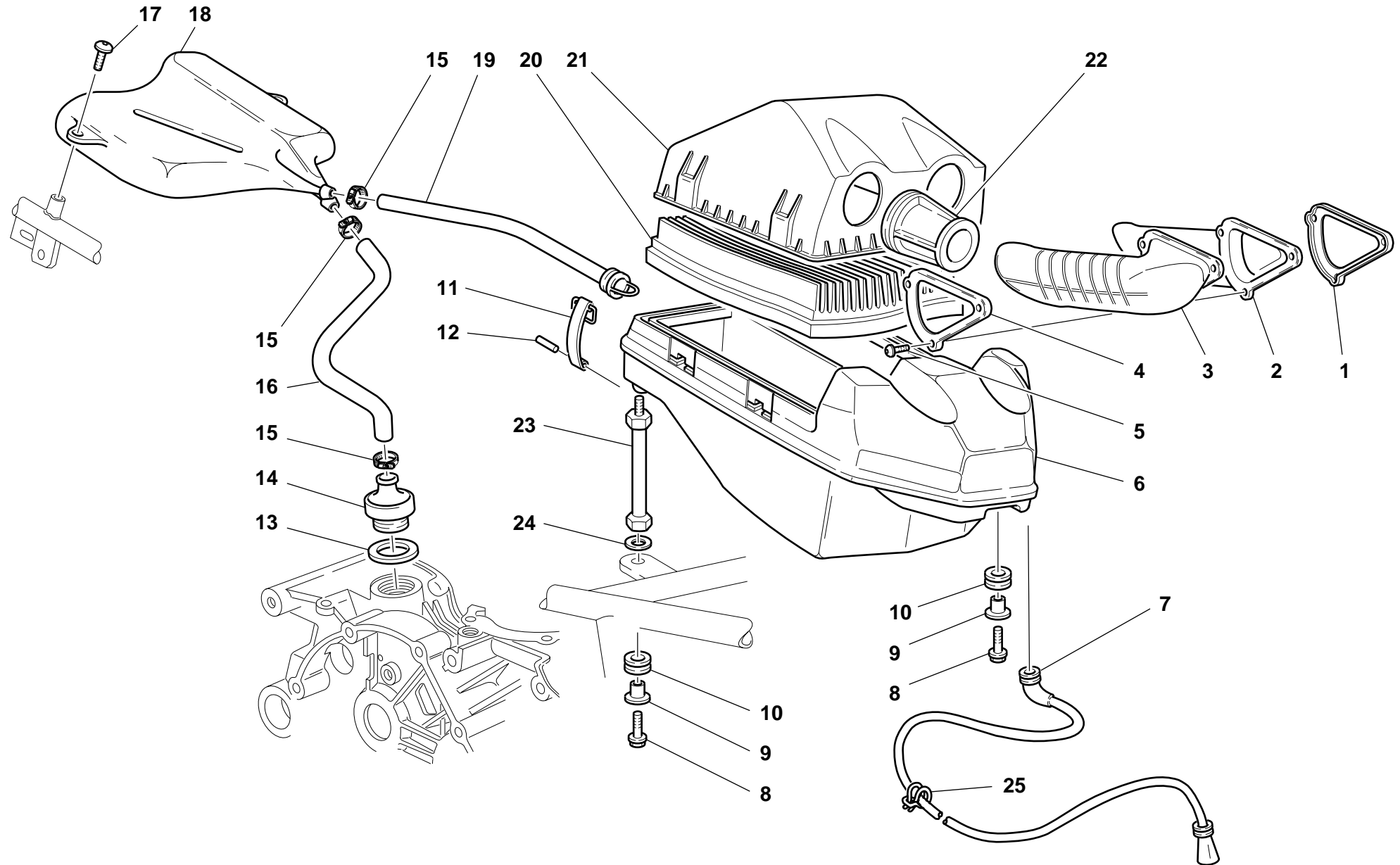
NOTES	NO.	CODE NO.	DESCRIPTION	VALIDITY	Q.TY 
	1	827.1.077.1A	Plate		2
	2	514.1.016.1A	Battery-solenoid starter cable		1
	3	0000.56443	Nut		2
	4	514.1.017.1A	Solenoid starter-starter motor cable		1
	5	417.9.050.6A	Nut		2
	6	0675.49.530	Clamp		1
	7	397.4.001.1A	Remote switch		1
	8	779.1.084.1A	Special screw		1
	9	8000.56359	Washer		5
	10	716.1.022.1A	Spacer		3
	11	716.1.053.1A	Spacer		1
	12	827.1.071.1A	Plate		1
	13	0000.55698	Screw		1
	14	866.1.031.1A	Rubber pad		1
	15	772.5.023.1A	Screw		3
	16	300182	Rubber pad		3
	17	395.4.001.1A	Battery		1
	18	513.1.008.1D	Battery grounding cable		1
	19	775.1.006.1A	Special screw		1
	20	772.5.025.1A	Screw		1
	21	827.1.072.1A	Plate		1
	22	829.1.172.1A	Battery box mount		1
	23	877.1.055.1A	Battery breather pipe		1
	24	750.5.001.1A	Nut		1

NOTES	NO.	CODE NO.	DESCRIPTION	VALIDITY	Q.TY 
-------	-----	----------	-------------	----------	--


TAVOLA
DRAWING
TABLE
BILD
TABLA

33

AIR INDUCTIO AND OIL VENT



DRAWING **33****AIR INDUCTIO AND OIL VENT**

NOTES	NO.	CODE NO.	DESCRIPTION	VALIDITY	Q.TY 
	1	827.1.123.1A	L.H. plate		1
	2	135.1.013.1B	L.H. hose		1
	3	135.1.014.1B	R.H. hose		1
	4	827.1.124.1A	R.H. plate		1
	5	779.1.088.1A	Screw		6
	6	442.2.008.1A	Air filter box		1
	7	877.2.002.1A	Tube		1
	8	772.5.023.1A	Screw		3
	9	716.1.022.1A	Spacer		3
	10	8000.18048	Rubber pad		3
	11	760.1.003.1A	Hook		4
	12	74223.1045	Spring pin		4
	13	0660.49.920	Gasket		1
	14	593.1.003.1A	Breather valve		1
	15	741.4.002.1A	Clamp		3
	16	876.1.066.1A	Breather pipe		1
	17	0364.99.015	Screw		2
	18	585.1.019.1A	Oil breather tank		1
	19	876.1.069.1A	Filter/fuel tank outlet pipe		1
	20	0370.98.610	Filter element		1
	21	246.1.056.1A	Filter case cover		1
	22	135.1.015.1A	Air funnel		2
	23	684.1.026.1A	Stud bolt		2
	24	852.5.003.1A	Washer		2
	25	829.1.129.1A	Clip		1

NOTES	NO.	CODE NO.	DESCRIPTION	VALIDITY	Q.TY 
-------	-----	----------	-------------	----------	--

DRAWING **34** SWINGARM AND CHAIN

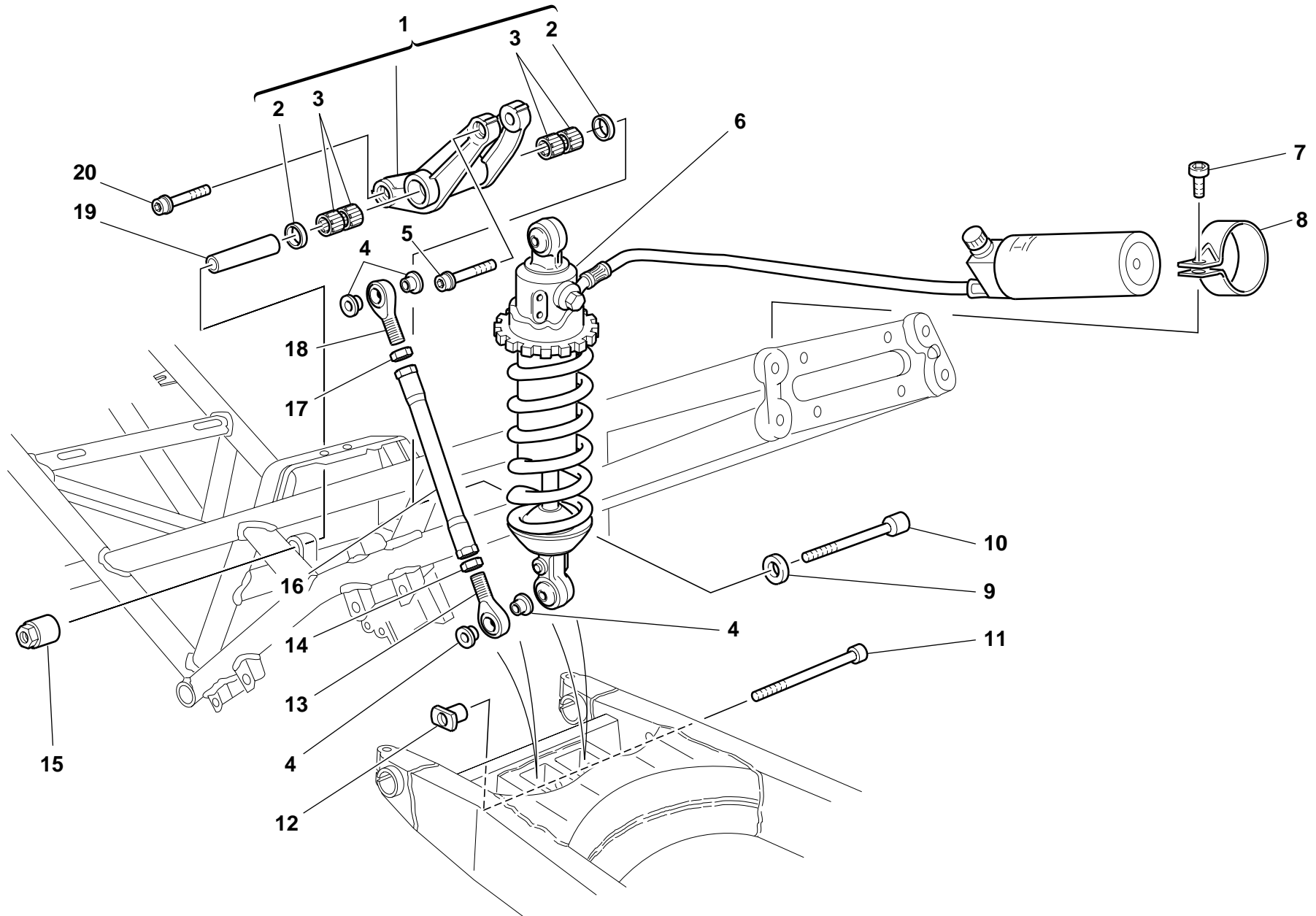
NOTES	NO.	CODE NO.	DESCRIPTION	VALIDITY	Q.TY 
	1	748.1.023.1A	Nut		2
	2	819.1.030.1A	Rear wheel spindle		1
	3	779.1.119.2A	Screw		8
	4	447.1.031.1A	Lower chain sliding shoe		1
	5	433.1.230.1A	Plate		1
	6	872.1.019.1A	Cap		2
	7	884.4.007.1A	Snap ring		2
	8	369.1.004.1A	Swingarm pivot		1
	9	60N102584	Screw		2
	10	370.1.021.1A	Swingarm		1
	11	676.2.033.1A	Final drive kit		1
	12	852.1.001.1A	Shim th. 1.8		2
	12	852.1.002.1A	Shim th. 0.2		1
	12	852.1.003.1A	Shim th. 0.1		1
	13	447.1.030.1A	Upper chain sliding shoe		1
	14	0364.99.710	Nylon gasket		4
	15	676.4.023.1A	Chain (102 Links)		1
	16	565.1.021.1A	Rear mudguard		1
	17	373.1.029.1A	Plate		2
	18	771.5.004.2B	Screw		2
	19	852.1.079.1A	Washer		2
	20	373.1.028.1A	Sliding shoe		2
	21	373.1.023.1A	Cover		2
	22	779.1.037.1A	Screw		2

NOTES	NO.	CODE NO.	DESCRIPTION	VALIDITY	Q.TY 
-------	-----	----------	-------------	----------	--


TAVOLA
DRAWING
TABLE
BILD
TABLA

35

REAR SUSPENSION



DRAWING **35** REAR SUSPENSION

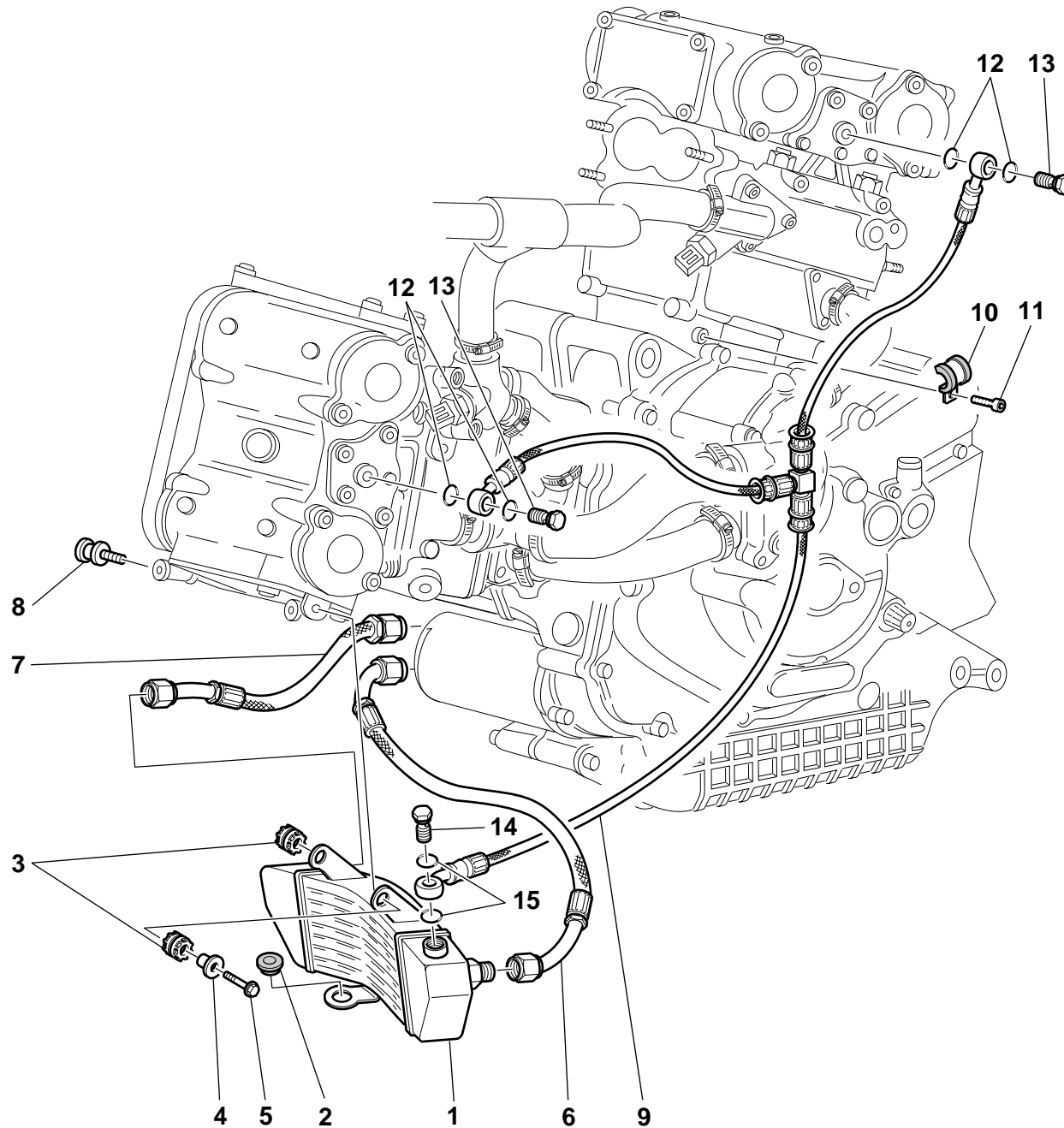
NOTES	NO.	CODE NO.	DESCRIPTION	VALIDITY	Q.TY	
	1	372.2.008.1A	Rocker assembly		1	
	2	93781.1824	Seal ring		2	
	3	701.4.006.1A	Needle bearing		4	
	4	710.1.025.1A	Bush		4	
	5	771.5.938.2B	Screw		1	
	6	365.2.027.1B	Shock absorber		1	
	7	779.5.010.1A	Screw		2	
	8	808.1.007.1A	Clamp		1	
	9	715.1.004.1A	Spacer		1	
	10	771.1.009.1A	Screw		1	
	11	771.1.008.1A	Screw		1	
	12	710.1.046.1A	Bush		1	
	13	76401.0010	Ball joint		1	
	14	417.9.090.1A	Nut		1	
	15	750.1.041.1A	Nut		1	
	16	875.1.038.1A	Tie rod		1	
	17	747.1.006.1A	Nut		1	
	18	76401.0009	Ball joint		1	
	19	710.1.057.1A	Bush		1	
	20	771.5.937.2B	Screw		1	

NOTES	NO.	CODE NO.	DESCRIPTION	VALIDITY	Q.TY	
-------	-----	----------	-------------	----------	------	---


TAVOLA
DRAWING
TABLE
BILD
TABLA

36

OIL COOLER



DRAWING **36** OIL COOLER

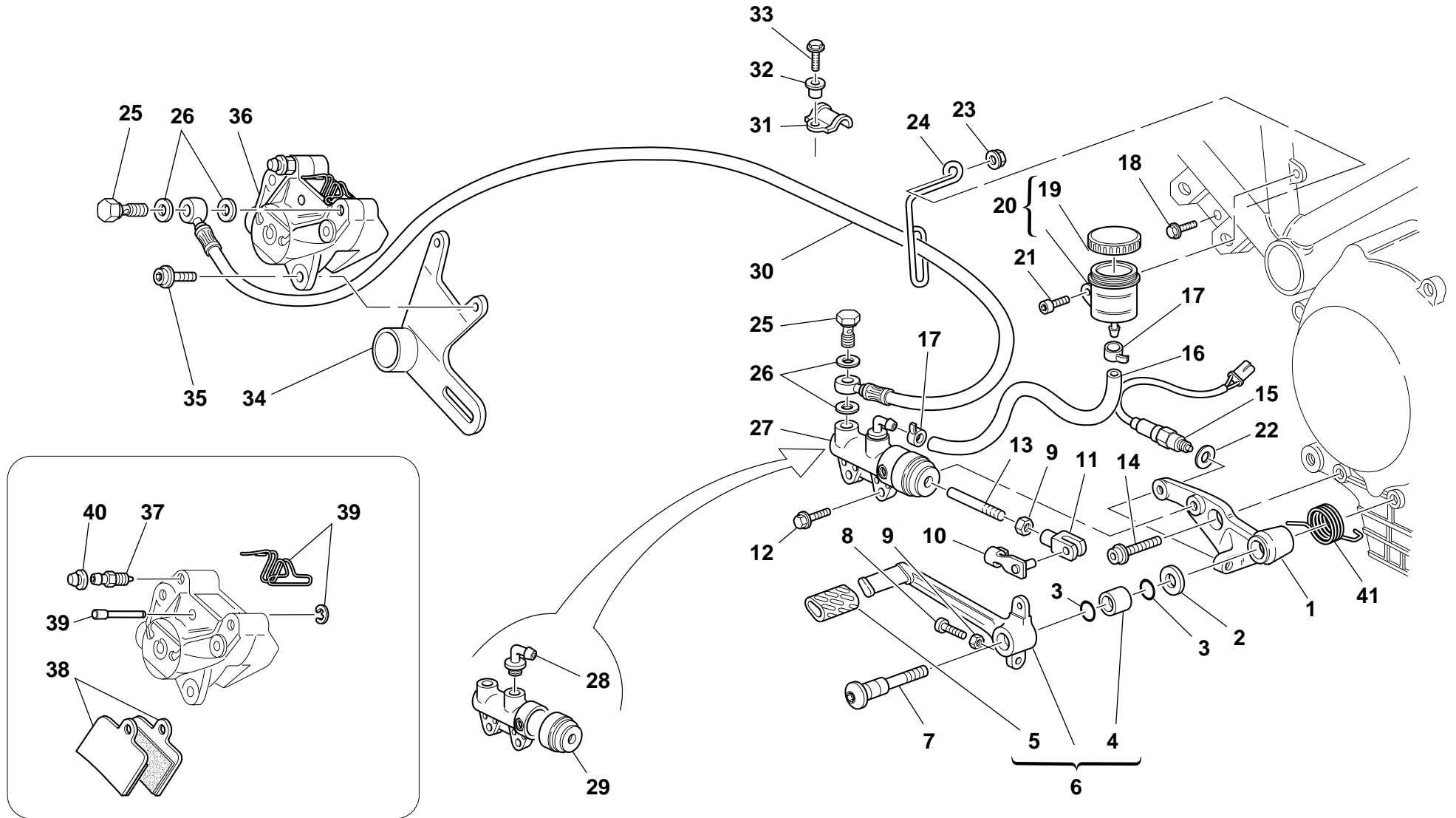
NOTES	NO.	CODE NO.	DESCRIPTION	VALIDITY	Q.TY	
	1	548.4.023.1A	Oil cooler		1	
	2	8000.69069	Vibration damper		1	
	3	764.1.024.1A	Vibration damper pad		2	
	4	0000.62652	Spacer		1	
	5	0000.62729	Screw		1	
	6	549.1.008.1A	Oil return pipe		1	
	7	549.1.007.1A	Oil delivery pipe		1	
	8	779.1.083.1A	Special screw		1	
	9	875.1.027.1A	Oil delivery pipe		1	
	10	741.4.033.1A	Clamp		1	
	11	60N102505	Screw		1	
	12	787.1.005.1A	Copper gasket		4	
	13	779.1.086.1B	Special screw		2	
	14	779.1.058.1A	Special screw		1	
	15	420.2.001.0A	Copper gasket		2	

NOTES	NO.	CODE NO.	DESCRIPTION	VALIDITY	Q.TY	
-------	-----	----------	-------------	----------	------	---

TAVOLA
DRAWING
TABLE
BILD
TABLA

37

REAR HYDRAULIC BRAKE



DRAWING

37

REAR HYDRAULIC BRAKE



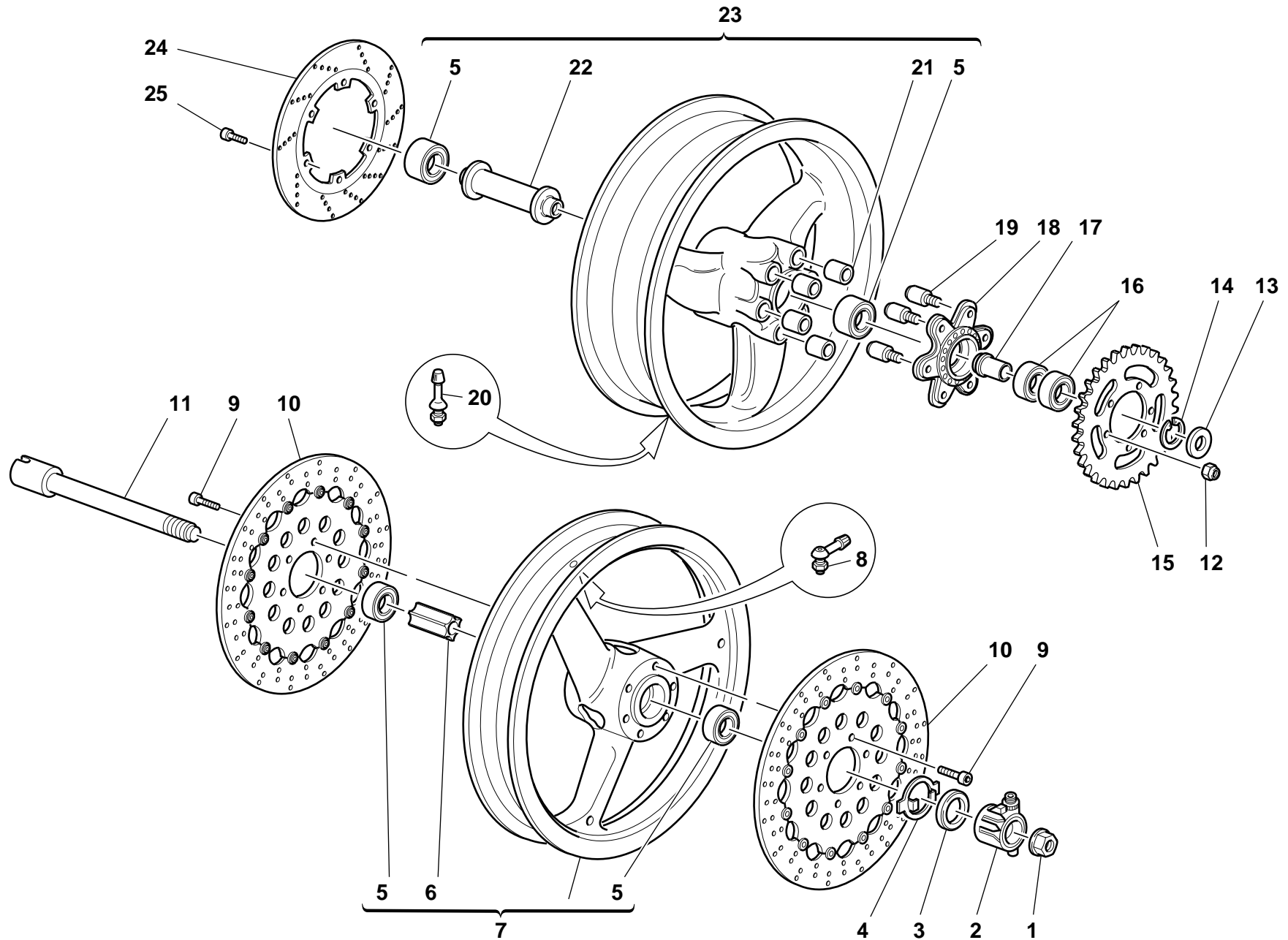
NOTES	NO.	CODE NO.	DESCRIPTION	VALIDITY	Q.TY		NOTES	NO.	CODE NO.	DESCRIPTION	VALIDITY	Q.TY	
	1	829.1.184.1A	Holder		1		28	0664.39.727	Spare union			1	
	2	852.1.054.1A	Washer		1		29	0664.39.741	Dust cover			1	
	3	230213	O-ring		2		30	619.4.015.1C	Caliper pump pipe			1	
	4	0000.59056	Bush		1		31	8000.73456	Clip			1	
	5	764.1.011.1A	Rubber pad		1		32	0000.69282	Spacer			1	
	6	457.2.008.1A	Brake control lever		1		33	8A00.67997	Screw			1	
	7	821.1.052.1A	Pedal pin		1		34	825.1.022.1A	Caliper holder plate			1	
	8	8000.67981	Threaded dowel		1		35	771.5.724.2B	Screw			2	
	9	60N115062	Nut		2		36	611.4.009.1A	Rear brake caliper			1	
	10	0000.64617	Spring		1		37	612.4.019.1A	Spare bleed union			1	
	11	00A0.55757	Fork		1		38	613.4.021.1A	Pads pair			1	
	12	772.5.024.1A	Screw		2		39	612.4.016.1A	Spare pins and spring			1	
	13	117.1.025.2A	Adjuster rod		1		40	612.4.008.1A	Dust seal			1	
	14	771.5.754.2B	Screw		1		41	799.1.083.1A	Spring			1	
	15	539.4.003.1B	Switch		1								
	16	877.1.050.1A	Tube		1								
	17	741.4.043.1A	Clamp		2								
	18	0000.62726	Screw		1								
	19	893.4.005.1A	Cap		1								
	20	585.4.001.1A	Complete oil tank		1								
	21	60N102505	Screw		1								
	22	420.2.000.8A	Copper gasket		1								
	23	0000.44240	Nut		1								
	24	829.1.073.2A	Holder		1								
	25	779.1.058.1A	Special screw		2								
	26	420.2.001.0A	Copper gasket		4								
	27	625.4.006.1A	Rear brake pump		1								


TAVOLA
DRAWING
TABLE
BILD
TABLA

38

WHEELS



DRAWING **38** WHEELS

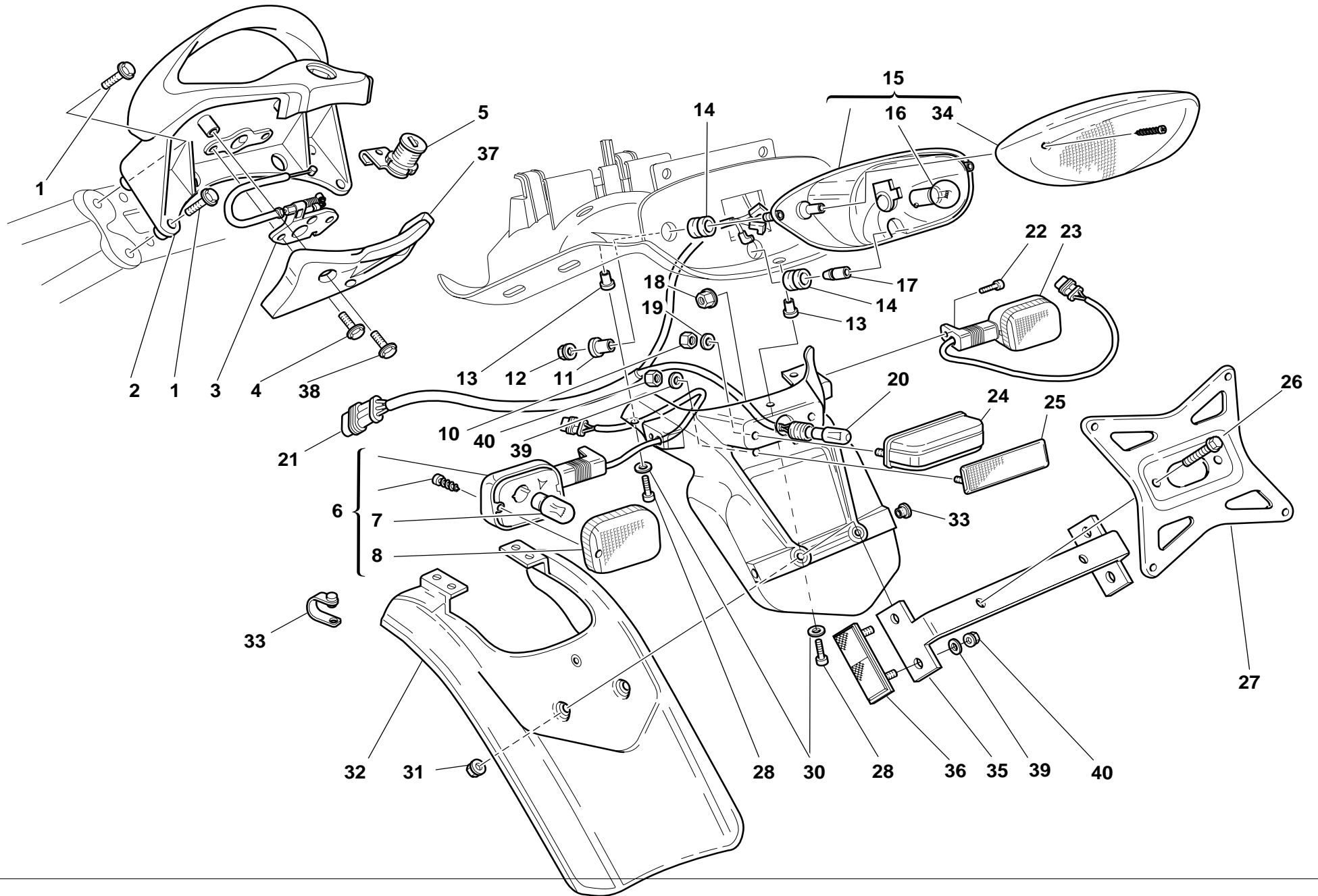
NOTES	NO.	CODE NO.	DESCRIPTION	VALIDITY	Q.TY	
	1	748.1.014.1B	Fork nut		1	
	2	8000.74049	Speedometer transmission		1	
	3	0000.64471	Seal ring		1	
	4	0000.62648	Relay drive ring		1	
	5	75162.2566	Bearing		4	
	6	714.1.028.1A	Inner spacer		1	
	7	501.2.019.1AF	Front wheel rim		1	
	8	497.2.001.2A	Valve		1	
	9	771.5.721.2B	Screw		12	
	10	492.4.010.1A	Brake disc		2	
	11	819.1.017.1A	Front wheel spindle		1	
	12	748.4.024.1A	Nut		6	
	13	713.1.097.1B	Spacer		1	
	14	884.5.008.1A	Circlip		1	
	15	494.1.068.3E	Ring gear z=43		1	
	16	75162.3075	Bearing		2	
	17	710.1.041.1B	Bush		1	
	18	160.1.049.1A	Rear sprocket flange		1	
	19	821.1.009.1B	Pin		6	
	20	0803.77.010	Valve		1	
	21	700.1.005.1A	Vibration damper		6	
	22	713.1.098.1A	Inner spacer		1	
	23	502.2.017.2AB	Rear rim		1	
	24	492.4.003.1A	Brake disc		1	
	25	771.5.723.2B	Screw		6	

NOTES	NO.	CODE NO.	DESCRIPTION	VALIDITY	Q.TY	
-------	-----	----------	-------------	----------	------	---

TAVOLA
DRAWING
TABLE
BILD
TABLA

39



NUMBER PLATE HOLDER



DRAWING

39

NUMBER PLATE HOLDER

NOTES	NO.	CODE NO.	DESCRIPTION	VALIDITY	Q.TY		NOTES	NO.	CODE NO.	DESCRIPTION	VALIDITY	Q.TY	
	1	772.5.023.1A	Screw		4		25	529.1.006.1A	Cat's eye			1	
	2	806.1.011.1AA	Red handle		1		26	772.5.024.1A	Screw			2	
	2	806.1.011.1AD	Handle blue		1		27	561.1.017.1B	Plate			1	
	2	806.1.011.1AE	Yellow handle		1		28	771.5.043.2B	Screw			1	
	2	806.1.011.1AE	Handle (unpainted)		1		29	561.1.013.2A	Number plate holder			1	
	3	732.2.006.1A	Lock latch		1		30	417.7.007.1A	Cap			2	
	4	8A00.67997	Screw		2		31	0000.44240	Nut			2	
	5	598.2.019.1A	Seat lock		1		32	460.1.077.1A	Mudflap			1	
	6	530.4.003.1B	L.H. turn indicator		1		33	741.1.012.1A	Clamp			2	
	7	0000.36726	Bulb		2		34	532.4.002.1A	Lens			1	
	8	0000.74507	Cup		2		35	829.1.136.1A	Holder			1	
	9	852.5.001.1A	Washer		2		36	529.1.006.1A	Cat's eye			2	
	10	8000.56443	Nut		2		37	460.1.080.1A	Mudflap			1	
	11	716.1.022.1A	Spacer		2		38	0000.62726	Screw			2	
	12	750.5.001.1A	Nut		2		39	852.5.001.1A	Washer			4	
	13	0000.63150	Insert		5		40	749.5.001.1A	Nut			4	
	14	0000.18048	Vibration damper pad		3								
	15	525.4.010.1A	Tail light		1								
	16	390.4.003.1A	Two-light bulb 12V 5/21W		1								
	17	821.1.081.1A	Pin		1								
	18	0000.44240	Nut		2								
	19	60N115548	Washer		6								
	20	0000.36230	Bulb		1								
	21	510.1.108.1A	Wiring		1								
	22	60N107335	Screw		2								
	23	530.4.004.1B	R.H. turn indicator		1								
	24	525.1.004.2A	Tail lamp		1								

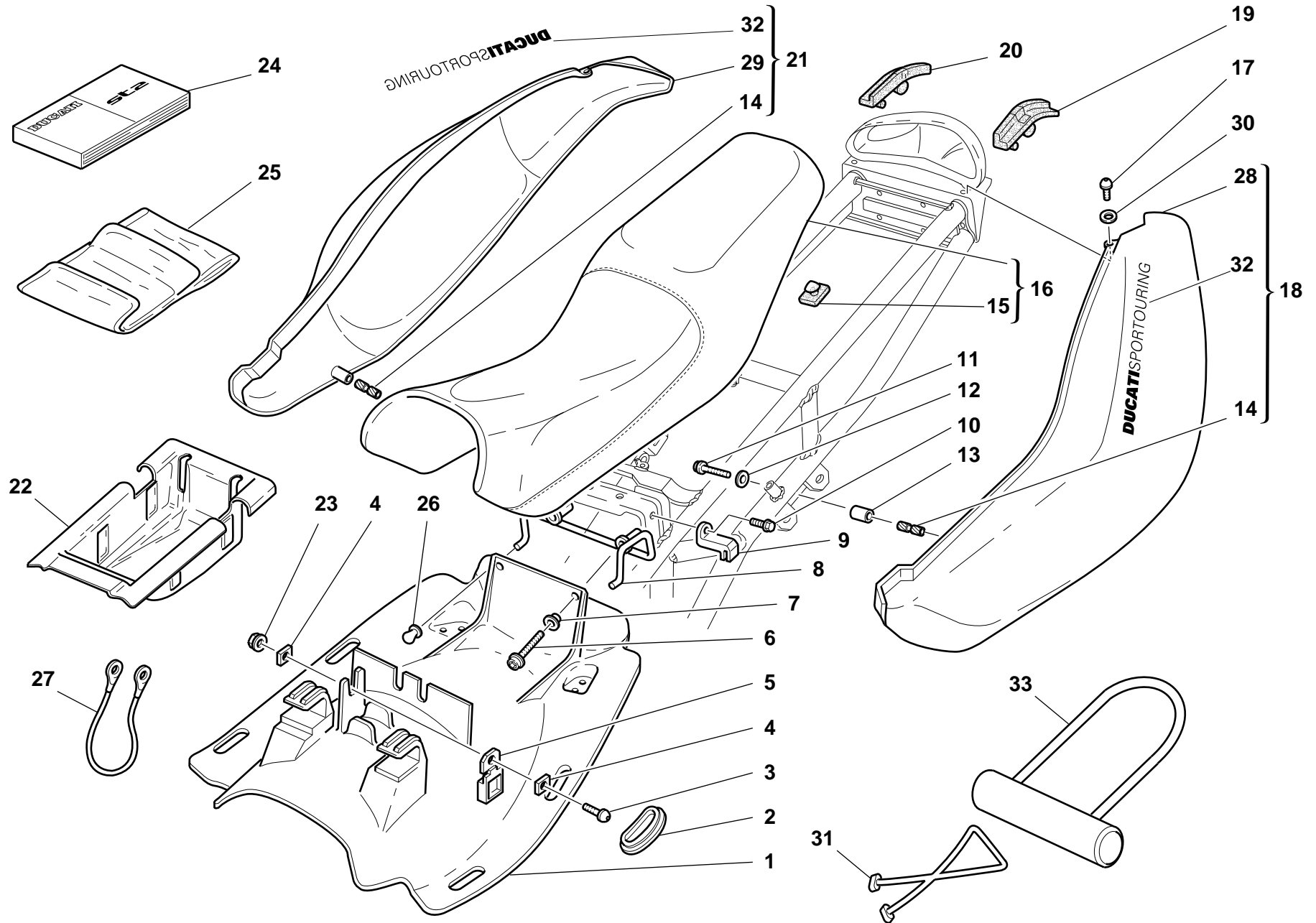
CATALOGUE No.: 915.1.063.1B
ISSUED: 12-99

CATALOGUE No.: 915.1.063.1B
ISSUED: 12-99

TAVOLA
DRAWING
TABLE
BILD
TABLA

40

SEAT



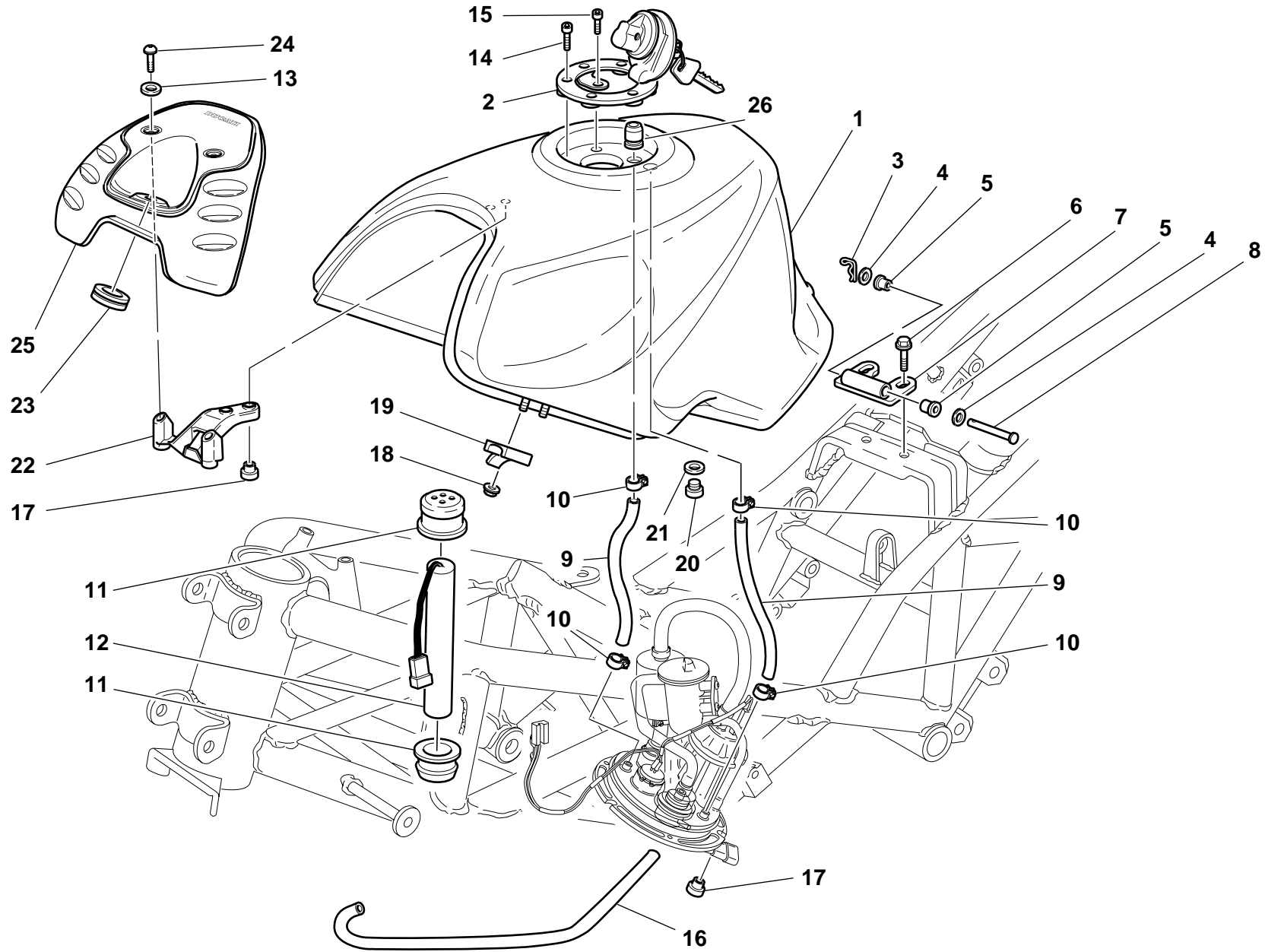
DRAWING **40** SEAT

NOTES	NO.	CODE NO.	DESCRIPTION	VALIDITY	Q.TY	NOTES	NO.	CODE NO.	DESCRIPTION	VALIDITY	Q.TY
	1	559.1.005.1A	Panel		1	24	913.7.062.1A	Owner's manual			1
	2	872.1.022.1A	Cap		4	25	697.2.011.1A	Tool bag			1
	3	779.1.088.1A	Screw		1	26	764.1.023.1A	Rubber pad			2
	4	827.1.061.1A	Plate		2	27	732.1.005.1A	Helmet anti-theft wire			1
	5	829.4.001.1A	Holder		1	28	482.3.021.1A	L.H. body panel (unpainted)			1
	6	771.5.667.2B	Screw		2	29	482.3.022.1A	R.H. body panel (unpainted)			1
	7	716.1.038.1A	Spacer		2	30	856.1.040.1A	Nylon washer			2
	8	760.1.015.1A	Hook		1	31	759.1.015.1A	Rubber			1
	9	808.1.019.1A	Clamp		2	32	436.1.021.1AA	Sticker "SPORTTOURING" (RED/BLUE)			2
	10	8H00.67545	Screw		2	32	436.1.021.1AB	Sticker "SPORTTOURING" (YELLOW)			2
	11	770.5.619.2B	Screw		2	33	598.4.015.1A	Padlock			1
	12	734305N01	Washer		2						
	13	713.1.129.1A	Spacer		2						
	14	850.4.016.1A	Threaded insert		1						
	15	866.1.030.1A	Rubber pad		6						
	16	595.1.034.1A	Seat		1						
	17	775.1.008.1A	Screw		2						
	18	482.1.027.1BD	L.H. body panel (BLUE)		1						
	18	482.1.027.1BE	L.H. body panel (YELLOW)		1						
	18	482.1.027.1BA	L.H. body panel (RED)		1						
	19	700.1.025.1A	L.H. gasket		1						
	20	700.1.024.1A	R.H. gasket		1						
	21	482.1.028.1BE	R.H. body panel (YELLOW)		1						
	21	482.1.028.1BD	R.H. body panel (BLUE)		1						
	21	482.1.028.1BA	R.H. body panel (RED)		1						
	22	565.1.022.2A	Tool box		1						
	23	0000.56443	Nut		1						


TAVOLA
DRAWING
TABLE
BILD
TABLA

41


FUEL TANK



DRAWING **41** FUEL TANK

NOTES	NO.	CODE NO.	DESCRIPTION	VALIDITY	Q.TY	
	1	586.1.029.1BA	Fuel tank (RED)		1	
	1	586.1.029.1BD	Fuel tank (BLUE)		1	
	1	586.3.029.1A	Fuel tank (unpainted)		1	
	1	586.1.029.1BE	Fuel tank (YELLOW)		1	
	2	895.4.001.2A	Tank cap		1	
	3	0000.62705	Split pin		1	
	4	80C0.05893	Shim		2	
	5	712.1.013.1A	Bush		2	
	6	772.5.025.1A	Screw		2	
	7	827.2.134.1A	Plate		1	
	8	821.1.028.2B	Pin		1	
	9	590.1.085.1A	Tube		2	
	10	741.4.004.1A	Clamp		4	
	11	829.1.186.1A	Rubber holder		2	
	12	552.1.003.2A	Sensor		1	
	13	8000.56391	Nylon washer		2	
	14	771.5.045.7E	Screw		3	
	15	771.5.040.2B	Screw		1	
	16	590.1.095.1A	Breather pipe		1	
	17	750.1.042.1A	Nut		5	
	18	763106N01	El-stop nut		4	
	19	866.1.029.1A	Rubber pad		2	
	20	8000.77921	Screw		1	
	21	420.2.001.0A	Copper gasket		1	
	22	830.1.131.1A	Bracket		1	
	23	764.1.019.1A	Vibration damper pad		1	
	24	80B0.55703	Screw		2	

CATALOGUE No.: **915.1.063.1B**
ISSUED: **12-99**

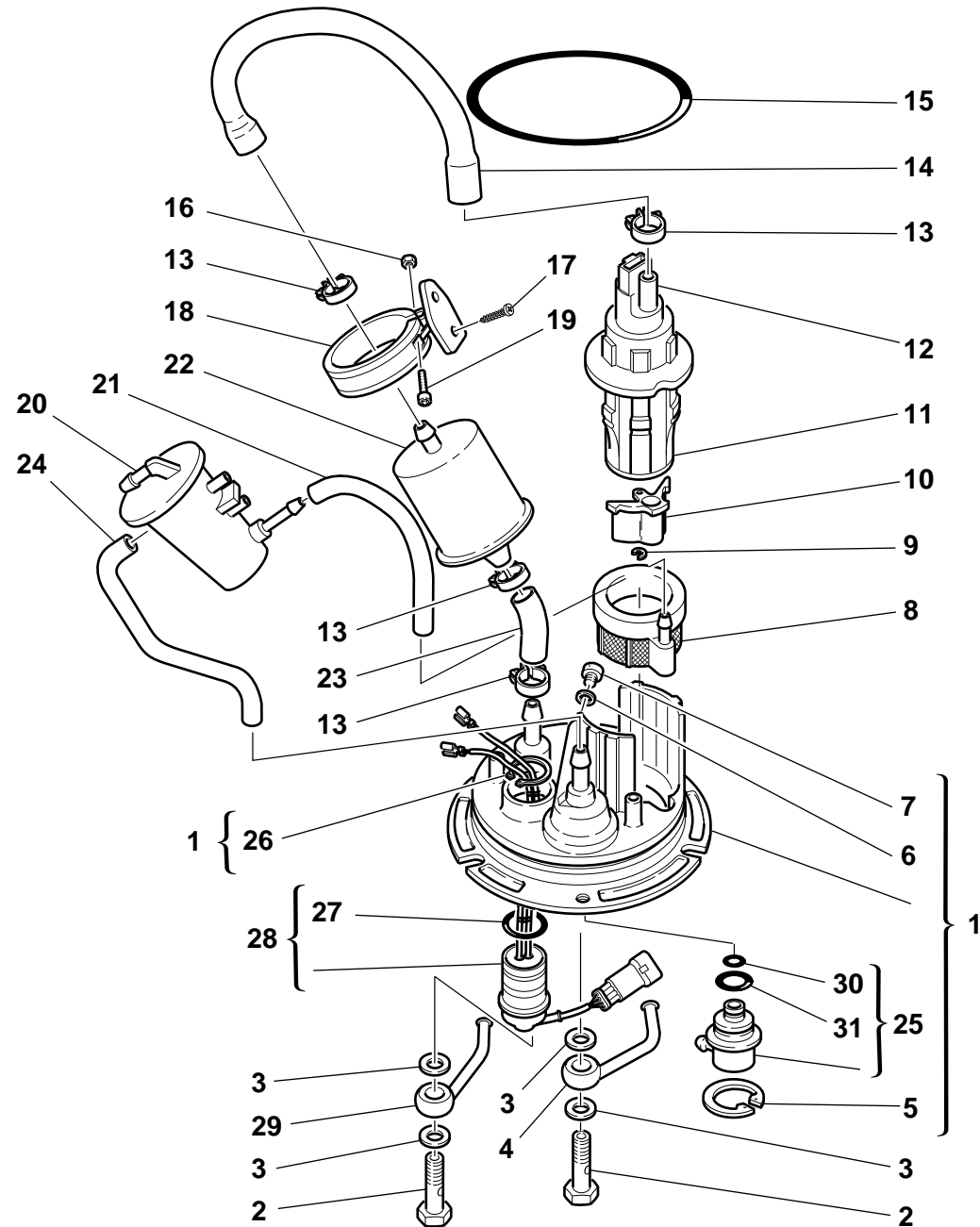
NOTES	NO.	CODE NO.	DESCRIPTION	VALIDITY	Q.TY	
	25	247.2.105.2A	Cover		1	
	26	791.1.012.1A	Gasket		1	

CATALOGUE No.: **915.1.063.1B**
ISSUED: **12-99**

TAVOLA
DRAWING
TABLE
BILD
TABLA

42

FUEL SYSTEM



DRAWING **42** FUEL SYSTEM



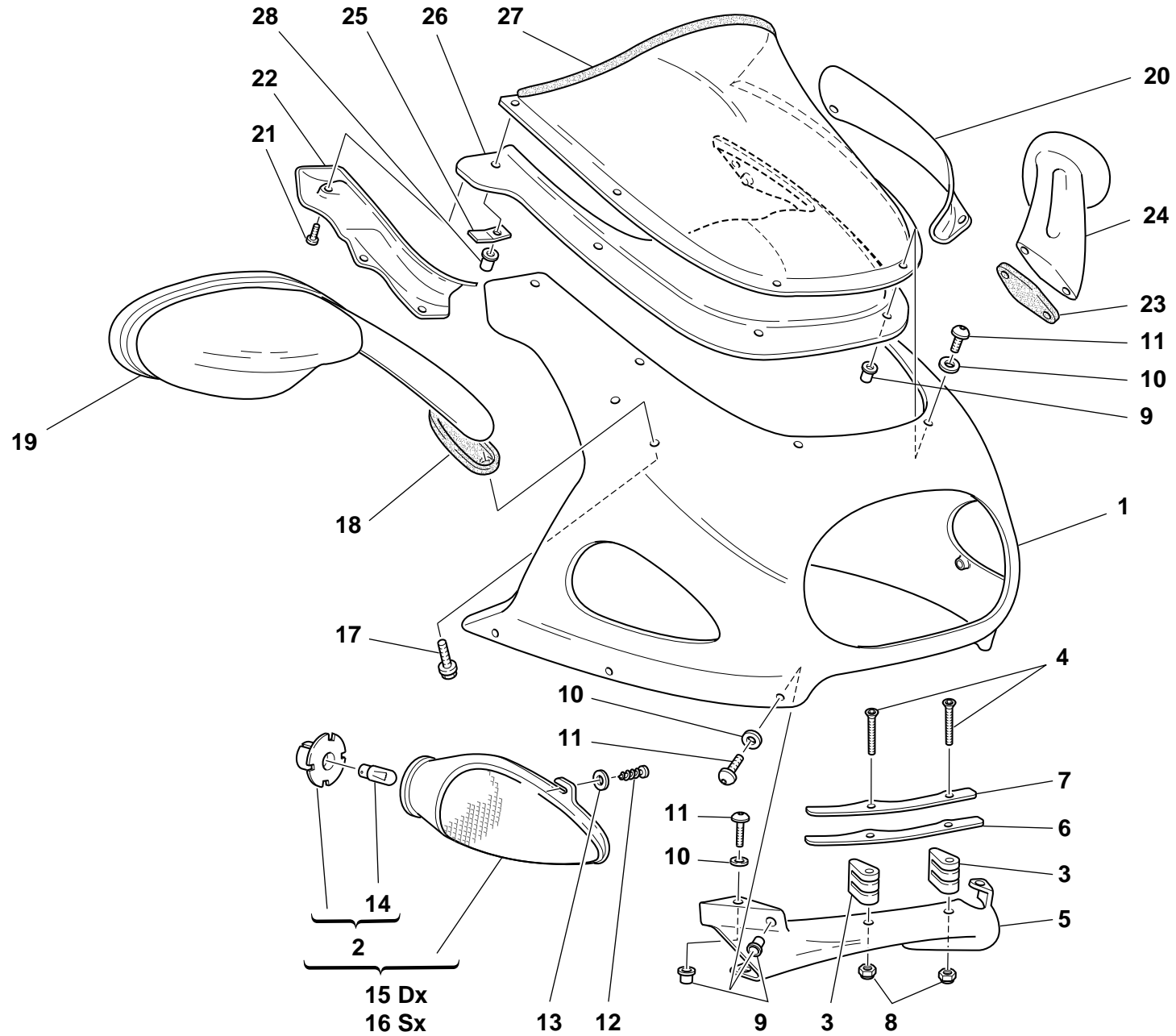
NOTES	NO.	CODE NO.	DESCRIPTION	VALIDITY	Q.TY		NOTES	NO.	CODE NO.	DESCRIPTION	VALIDITY	Q.TY	
	1	160.9.057.1A	Complete flange		1		28	510.2.003.1A	Pump wiring			1	
	2	779.1.170.1A	Special screw		2		29	814.1.066.1A	Union			1	
	3	852.1.098.1A	Washer		2		30	886.4.021.1A	O-ring			1	
	4	814.1.065.1A	Union		1		31	886.4.022.1A	O-ring			1	
	5	73503.3449	Circlip		1								
	6	420.2.001.0A	Copper gasket		1								
	7	780.1.008.1A	Cap		1								
	8	427.1.003.1A	Fuel pump filter		1								
	9	850.4.031.1A	Snap ring		1								
	10	484.1.029.1B	Manifold		1								
	11	829.1.077.2B	Pump holder		1								
	12	430.4.004.1A	Fuel pump		1								
	13	741.4.004.1A	Clamp		4								
	14	590.1.092.1A	Tube		1								
	15	886.5.001.1A	O-Ring		1								
	16	0419.50.115	Hexagon nut		1								
	17	72237.0974	Self-tapping screw		2								
	18	829.1.104.1A	Holder		1								
	19	0419.50.045	Screw		1								
	20	427.4.002.1A	Air separator		1								
	21	590.1.059.1A	Tube		1								
	22	425.4.004.1A	Fuel filter		1								
	23	590.1.091.1A	Tube		1								
	24	590.1.058.1A	Tube		1								
	25	283.4.003.1A	Pressure regulator		1								
	26	73500.2668	Circlip		1								
	27	886.5.011.1A	O-Ring		1								

TAVOLA
DRAWING
TABLE
BILD
TABLA

43


HEADLIGHT FAIRING



DRAWING **43** HEADLIGHT FAIRING

NOTES	NO.	CODE NO.	DESCRIPTION	VALIDITY	Q.TY	
	1	481.3.016.1A	Headlight fairing (unpainted)		1	
	1	481.1.016.1BA	Headlight fairing (RED)		1	
	1	481.1.016.1BD	Headlight fairing (BLUE)		1	
	1	481.1.016.1BE	Headlight fairing (YELLOW)		1	
	2	390.4.005.1A	Lamp holder		2	
	3	808.1.018.1A	Clamp		2	
	4	777.5.007.2B	Screw		2	
	5	484.3.024.1A	Manifold (unpainted)		1	
	5	484.1.024.1AA	Air manifold (RED)		1	
	5	484.1.024.1AD	Air manifold (BLUE)		1	
	5	484.1.024.1AE	Air manifold (YELLOW)		1	
	6	827.1.131.1A	Lower plate		1	
	7	827.1.130.1A	Upper plate		1	
	8	749.5.001.1A	Nut		2	
	9	0000.63150	Insert		14	
	10	0000.63161	Washer		14	
	11	775.1.011.1A	Screw		14	
	12	72237.0657	Self-tapping screw		4	
	13	852.5.002.1A	Washer		4	
	14	0000.36726	Bulb		2	
	15	530.4.006.1A	R.H. turn indicator		1	
	16	530.4.005.1A	L.H. turn indicator		1	
	17	772.5.023.1A	Screw		4	
	18	713.1.126.1A	R.H. gasket		1	
	19	523.4.007.1AA	R.H. rear-view mirror (RED)		1	
	19	523.4.007.1AD	R.H. rear-view mirror (BLUE)		1	
	19	523.4.007.1AE	R.H. rear-view mirror (YELLOW)		1	

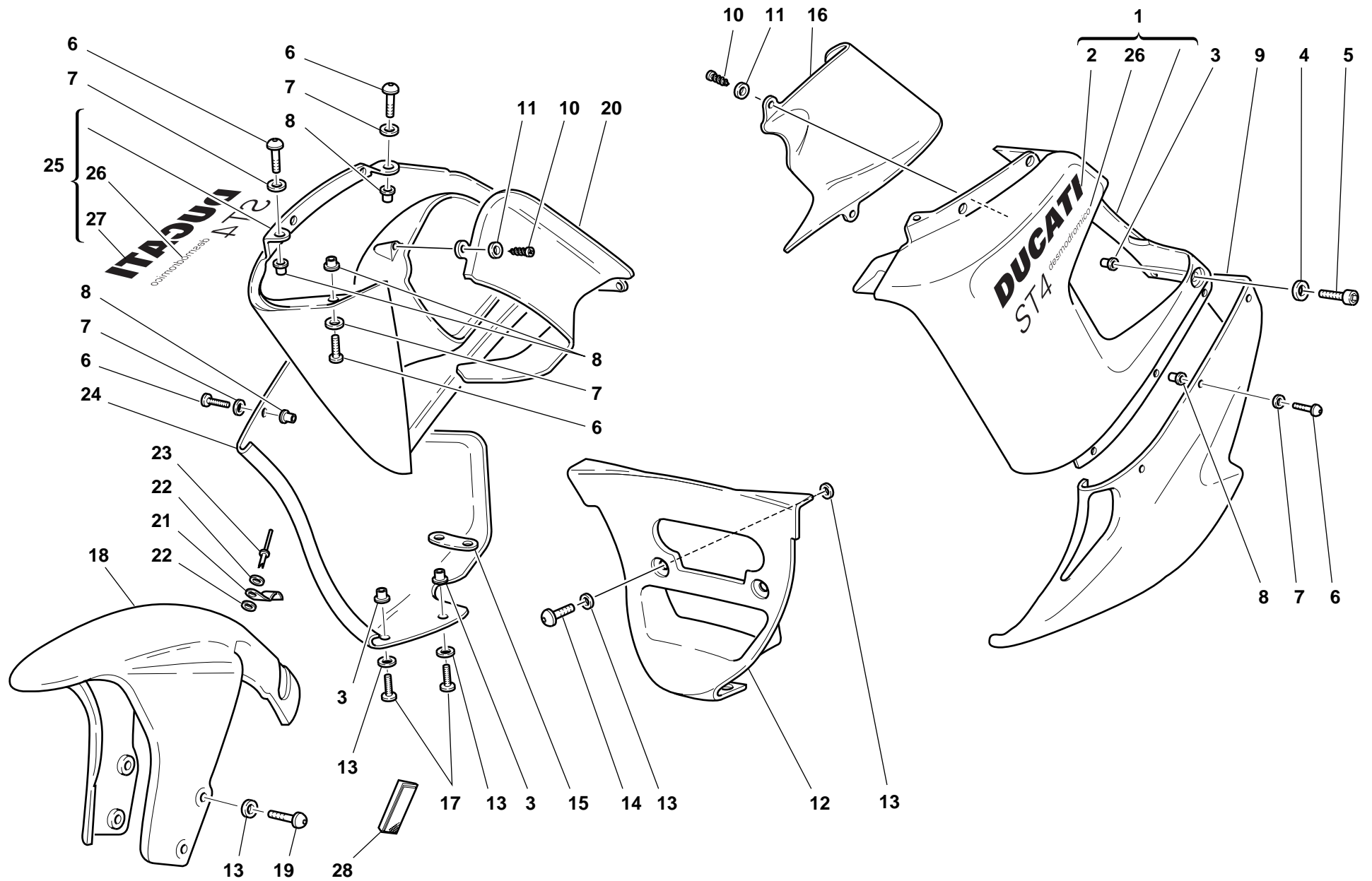
CATALOGUE No.: 915.1.063.1B
ISSUED: 12-99

NOTES	NO.	CODE NO.	DESCRIPTION	VALIDITY	Q.TY	
	20	460.1.072.1A	L.H. side panel		1	
	21	779.1.116.1A	Screw		2	
	22	460.1.071.1A	R.H. side panel		1	
	23	713.1.127.1A	L.H. gasket		1	
	24	523.4.006.1AA	L.H. rear-view mirror (RED)		1	
	24	523.4.006.1AD	L.H. rear-view mirror (BLUE)		1	
	24	523.4.006.1AE	L.H. rear-view mirror (YELLOW)		1	
	25	827.1.162.1A	Plate		2	
	26	460.1.070.1A	Panel		1	
	27	487.1.014.1A	Windshield		1	
	28	850.4.013.1A	Threaded insert		2	


CATALOGUE No.: 915.1.063.1B
ISSUED: 12-99

TAVOLA
DRAWING
TABLE
BILD
TABLA

44 FAIRING



DRAWING **44** FAIRING

NOTES	NO.	CODE NO.	DESCRIPTION	VALIDITY	Q.TY	
	1	480.3.058.1A	L.H. upper half-fairing (unpainted)		1	
	1	480.1.058.1CA	L.H. upper half-fairing (RED)		1	
	1	480.1.058.1CE	L.H. upper half-fairing (YELLOW)		1	
	1	480.1.058.1CD	L.H. upper half-fairing (BLUE)		1	
	2	437.1.112.1AA	Sticker "DUCATI" (RED,BLUE)		1	
	2	437.1.112.1AB	Sticker "DUCATI" (YELLOW)		1	
	3	0364.99.020	Bush		6	
	4	841.1.001.1C	Retainer		2	
	5	779.5.001.1A	Screw		2	
	6	775.1.011.1A	Screw		12	
	7	0000.63161	Washer		12	
	8	0000.63150	Insert		12	
	9	480.3.059.1A	L.H. lower half-fairing (UNPAINTED)		1	
	9	480.1.059.2AA	L.H. lower half-fairing (RED)		1	
	9	480.1.059.2AD	L.H. lower half-fairing (BLUE)		1	
	9	480.1.059.2AE	L.H. lower half-fairing (YELLOW)		1	
	10	72231.0871	Screw		4	
	11	852.5.002.1A	Washer		4	
	12	484.3.034.1A	Air manifold (UNPAINTED)		1	
	12	484.1.034.1A	Air manifold (RED)		1	
	12	484.1.034.1AD	Air manifold (BLUE)		1	
	12	484.1.034.1AE	Air manifold (YELLOW)		1	
	13	856.1.040.1A	Nylon washer		12	
	14	775.1.008.2A	Screw		2	
	15	827.1.012.1A	Bent plate		1	


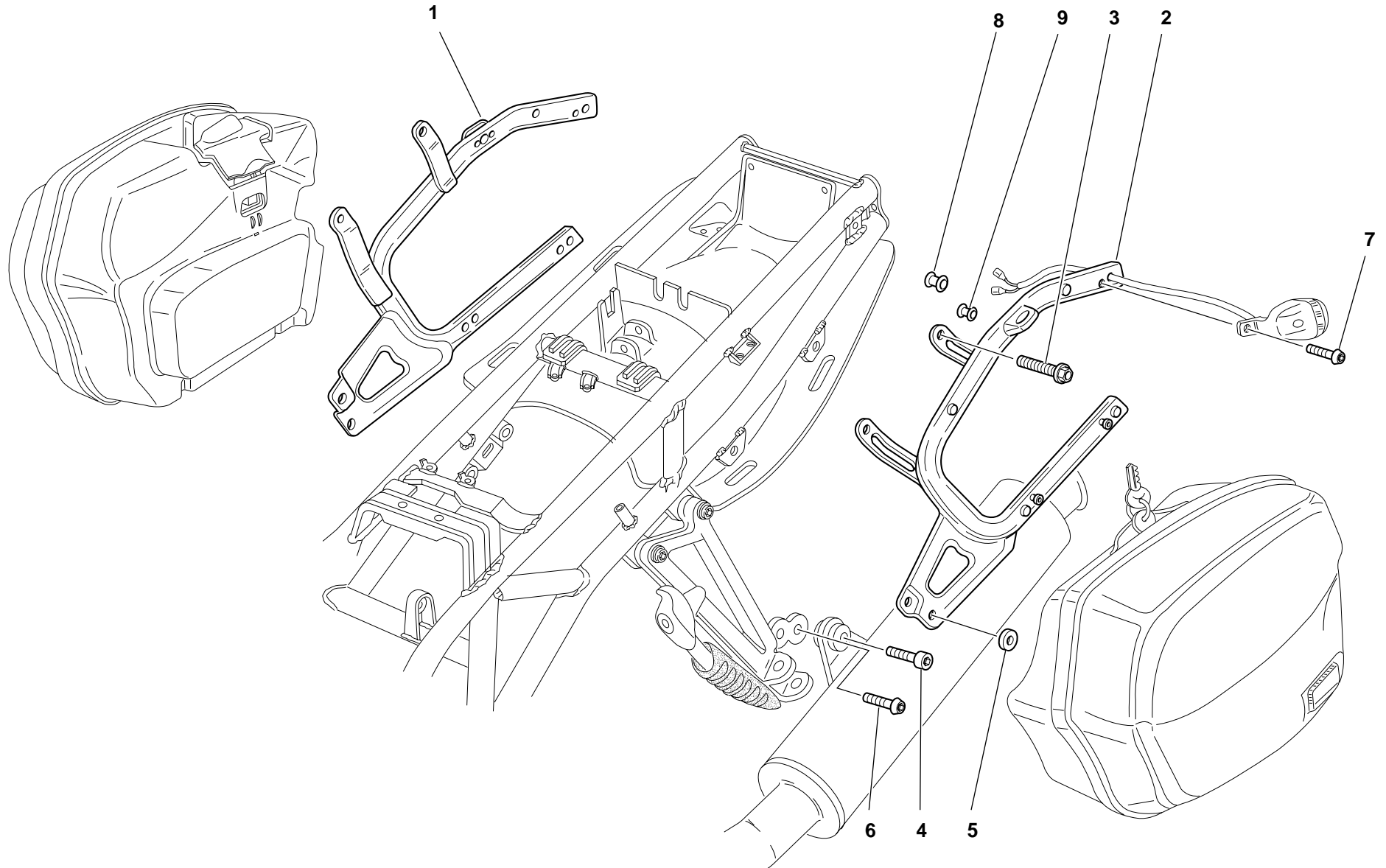
NOTES	NO.	CODE NO.	DESCRIPTION	VALIDITY	Q.TY	
	16	484.1.025.1AA	L.H. air manifold		1	
	17	779.1.089.1A	Screw		4	
	18	564.3.023.1A	Front mudguard (unpainted)		1	
	18	564.1.023.1AA	Front mudguard (RED)		1	
	18	564.1.023.1AD	Front mudguard (BLUE)		1	
	18	564.1.023.1AE	Front mudguard (YELLOW)		1	
	19	0000.55698	Screw		4	
	20	484.1.026.1AA	R.H. air manifold		1	
	21	850.1.003.1A	Clip		1	
	22	852.1.075.1A	Washer		2	
	23	736.4.013.1B	Shear rivet		1	
	24	480.3.061.1A	R.H. lower half-fairing (unpainted)		1	
	24	480.1.061.2AA	R.H. lower half-fairing (RED)		1	
	24	480.1.061.2AD	R.H. lower half-fairing (BLUE)		1	
	24	480.1.061.2AE	R.H. lower half-fairing (YELLOW)		1	
	25	8.1A	R.H. upper half-fairing (unpainted)		1	
	25	480.1.060.1CA	R.H. upper half-fairing (RED)		1	
	25	480.1.060.1CD	R.H. upper half-fairing (BLUE)		1	
	25	480.1.060.1CE	R.H. upper half-fairing (YELLOW)		1	
	26	437.1.107.1AA	Sticker "DESMODROMICO" (RED/BLUE)		2	
	26	437.1.107.1AB	Sticker "DESMODROMICO" (YELLOW)		2	
	27	437.1.114.1AA	Sticker "DUCATI" (RED,BLUE)		1	
	27	437.1.114.1AB	Sticker "DUCATI" (YELLOW)		1	
	28	529.1.008.1AB	Cat's eye (AMBER)		2	


TAVOLA
DRAWING
TABLE
BILD
TABLA

45

PANNIERS FASTENS



DRAWING **45** PANNIERS FASTENS

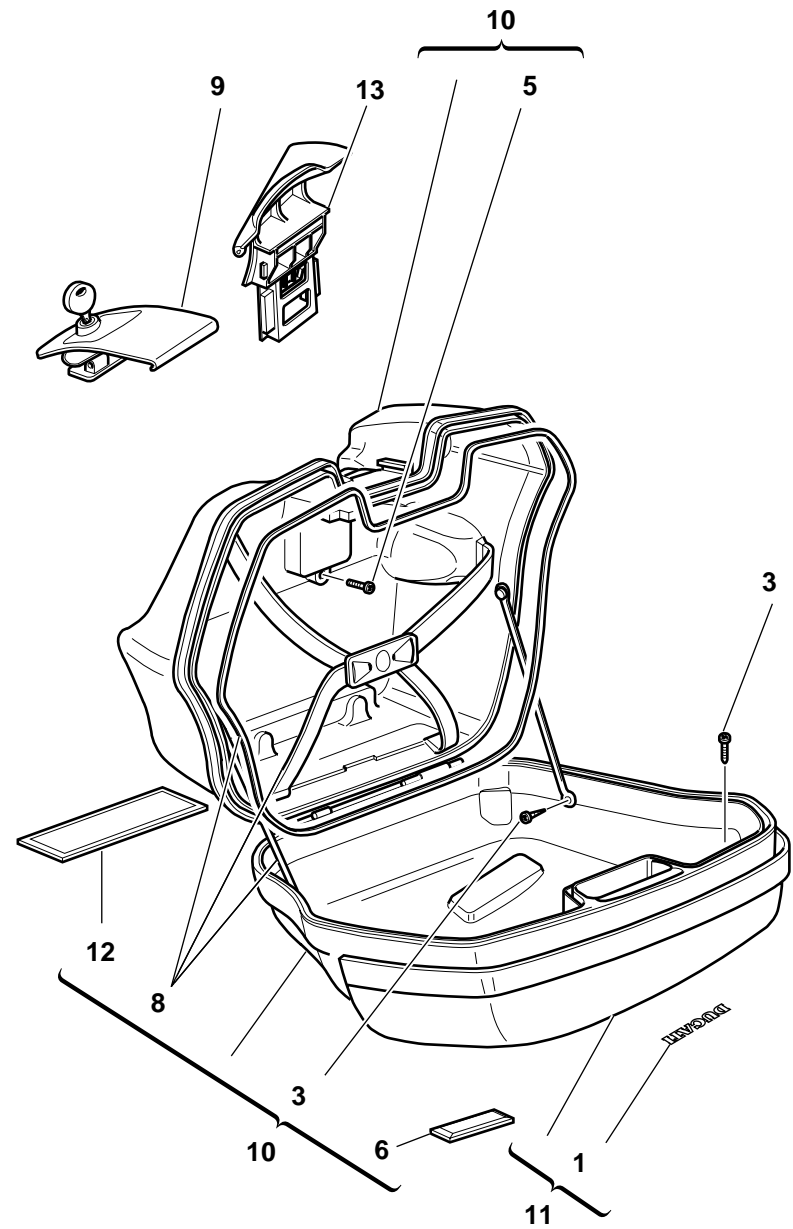
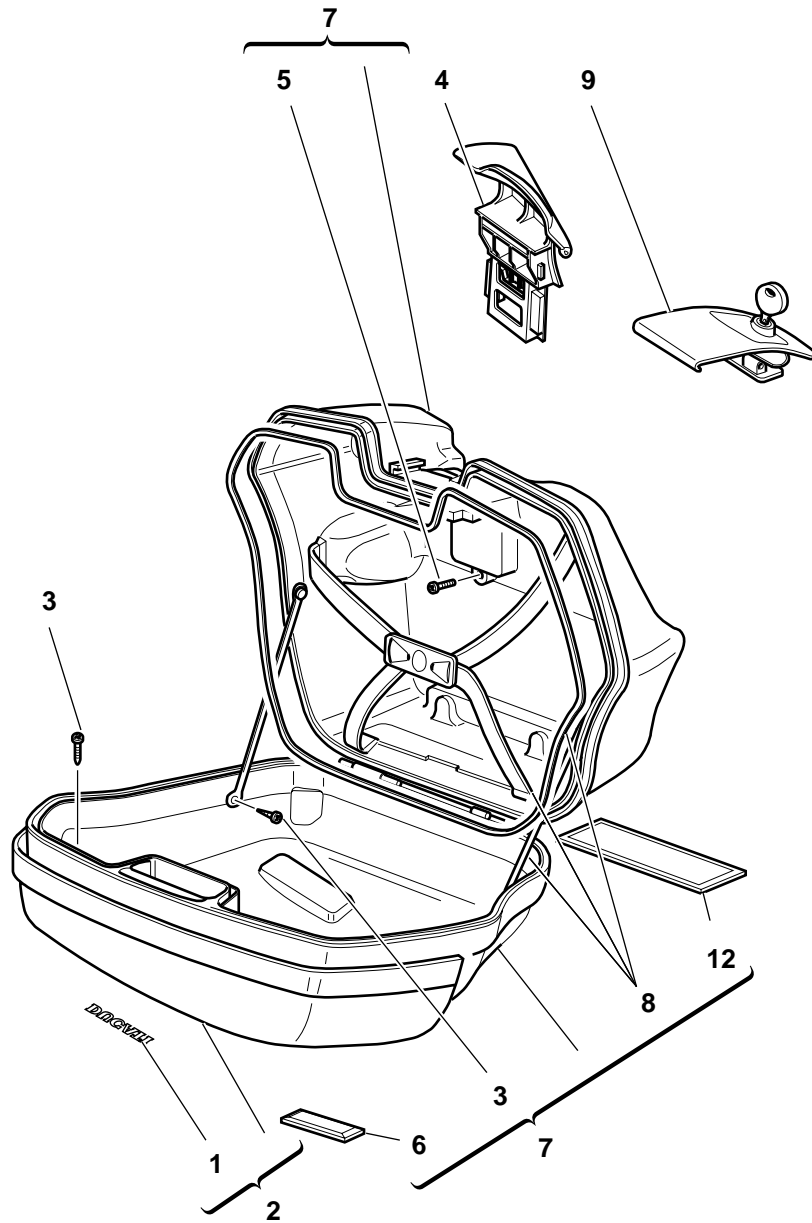
NOTES	NO.	CODE NO.	DESCRIPTION	VALIDITY	Q.TY	
	1	829.1.206.1A	R.H. holder		1	
	2	829.1.205.1A	L.H. holder		1	
	3	772.5.008.1A	Screw		4	
	4	771.5.002.1A	Screw		1	
	5	713.1.130.1A	Spacer		1	
	6	775.5.002.1A	Screw		2	
	7	8BB0.61070	Screw		2	
	8	872.4.022.1A	Cap		2	
	9	872.4.023.1A	Cap		2	

NOTES	NO.	CODE NO.	DESCRIPTION	VALIDITY	Q.TY	
-------	-----	----------	-------------	----------	------	---


TAVOLA
DRAWING
TABLE
BILD
TABLA

46

SIDE PANNIERS



DRAWING **46** SIDE PANNIERS

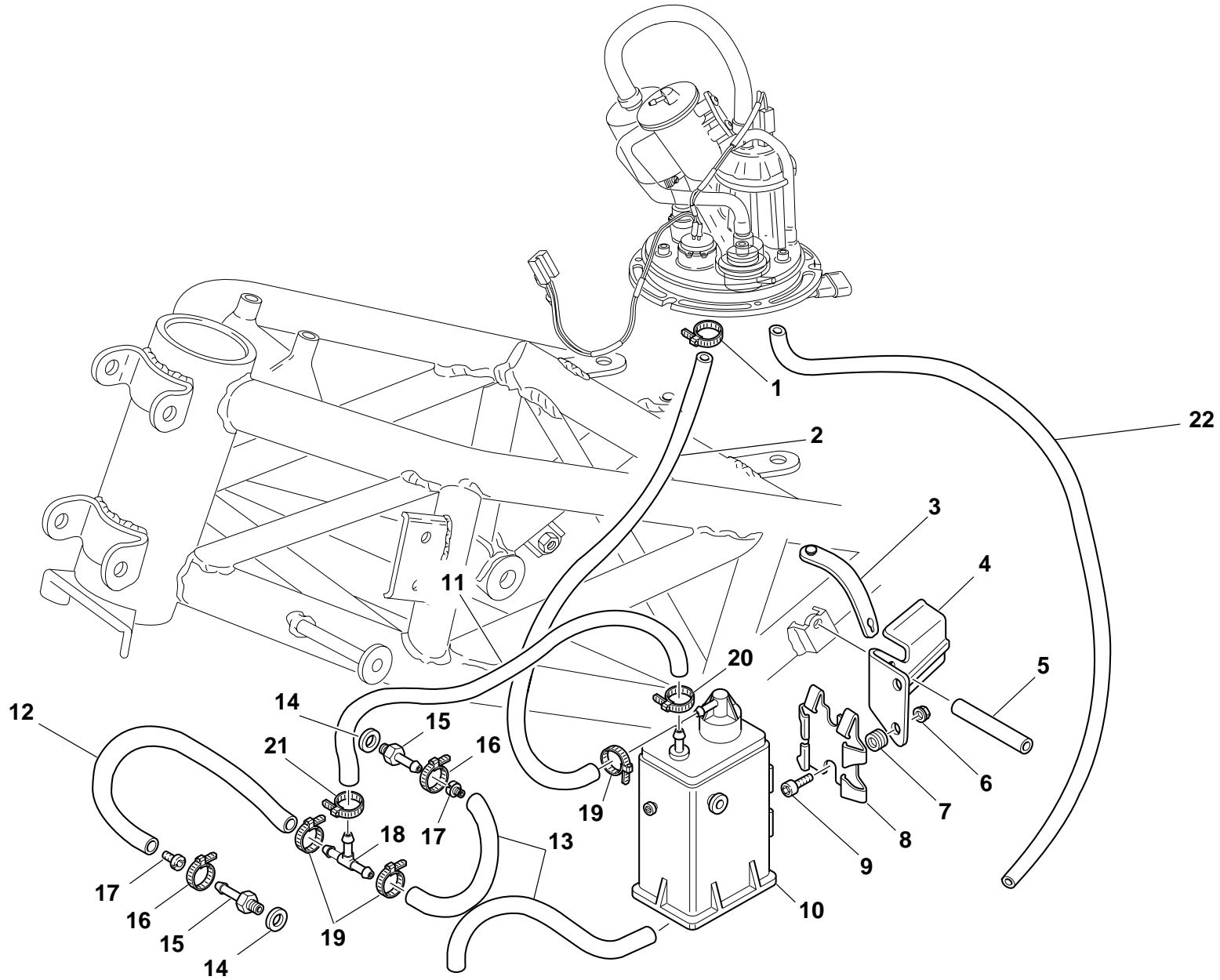
NOTES	NO.	CODE NO.	DESCRIPTION	VALIDITY	Q.TY	
	1	438.1.096.1AA	Sticker "DUCATI"		2	
	1	438.1.096.1AB	Sticker "DUCATI" (GREY)		2	
	2	698.1.021.1BA	R.H. cover (RED)		1	
	2	698.1.021.1BD	R.H. cover (BLUE)		1	
	2	698.1.021.1BE	R.H. cover (YELLOW)		1	
	3	72237.0657	Self-tapping screw		20	
	4	698.1.023.1A	R.H. handle		1	
	5	72237.0974	Self-tapping screw		2	
	6	529.4.003.1A	Cat's eye		2	
	7	698.1.015.1A	R.H. pannier		1	
	8	698.1.026.1A	Series of belts		1	
	9	698.1.025.1A	Pannier locks kit		1	
	10	698.1.016.1A	L.H. pannier		1	
	11	698.1.022.1BA	L.H. cover (RED)		1	
	11	698.1.022.1BD	L.H. cover (BLUE)		1	
	11	698.1.022.1BE	L.H. cover (YELLOW)		1	
	12	698.1.027.1A	Insulation		1	
	13	698.1.024.1A	L.H. handle		1	

NOTES	NO.	CODE NO.	DESCRIPTION	VALIDITY	Q.TY	
-------	-----	----------	-------------	----------	------	---


TAVOLA
DRAWING
TABLE
BILD
TABLA

47

FUELL INFEED



DRAWING **47** FUELL INFEED

NOTES	NO.	CODE NO.	DESCRIPTION	VALIDITY	Q.TY	
	1	741.4.057.1A	Clamp		1	
	2	590.1.106.1A	Tube		1	
	3	741.1.013.1A	Clamp		1	
	4	829.1.207.1A	Holder		1	
	5	716.1.043.1A	Spacer		2	
	6	0000.44240	Nut		2	
	7	0000.16132	Rubber pad		2	
	8	827.1.157.1A	Plate		1	
	9	779.5.001.1A	Screw		2	
	10	426.1.007.1A	CANISTER filter		1	
	11	590.1.097.1B	Tube		1	
	12	590.1.069.1A	Tube		1	
	13	590.1.104.1A	Tube		2	
	14	0250.70.223	Aluminium gasket		2	
	15	0370.98.880	Union		2	
	16	741.4.013.1B	Clamp		2	
	17	0615.27.143	Idling jet 50		2	
	18	0361.98.850	Shunt valve		1	
	19	741.4.063.1A	Clamp		3	
	20	741.4.058.1A	Clamp		1	
	21	741.4.059.1A	Clamp		1	
	22	590.1.098.1A	Tube		1	

NOTES	NO.	CODE NO.	DESCRIPTION	VALIDITY	Q.TY	
-------	-----	----------	-------------	----------	------	---

48

MARKING PLATES

**OBJECT IN MIRROR ARE
CLOSER THAN THEY APPEAR**

Cod. 433.1.165.1A

1

WARNING

DO NOT ATTEMPT TO LOOK THROUGH THIS FAIRING. THIS IS NOT A WINDSHIELD, BUT AN AERODYNAMIC FAIRING ONLY; FAILURE TO OBSERVE THIS WARNING COULD RESULT IN A COLLISION OR UPSET AND CONSEQUENT SERIOUS BODILY INJURY.

Cod. 433.1.165.1A

2

ATTENZIONE! Per evitare perdite di carburante dal tubo di sfiato, evitare di sollevare il serbatoio quando questo è pieno oltre la metà.

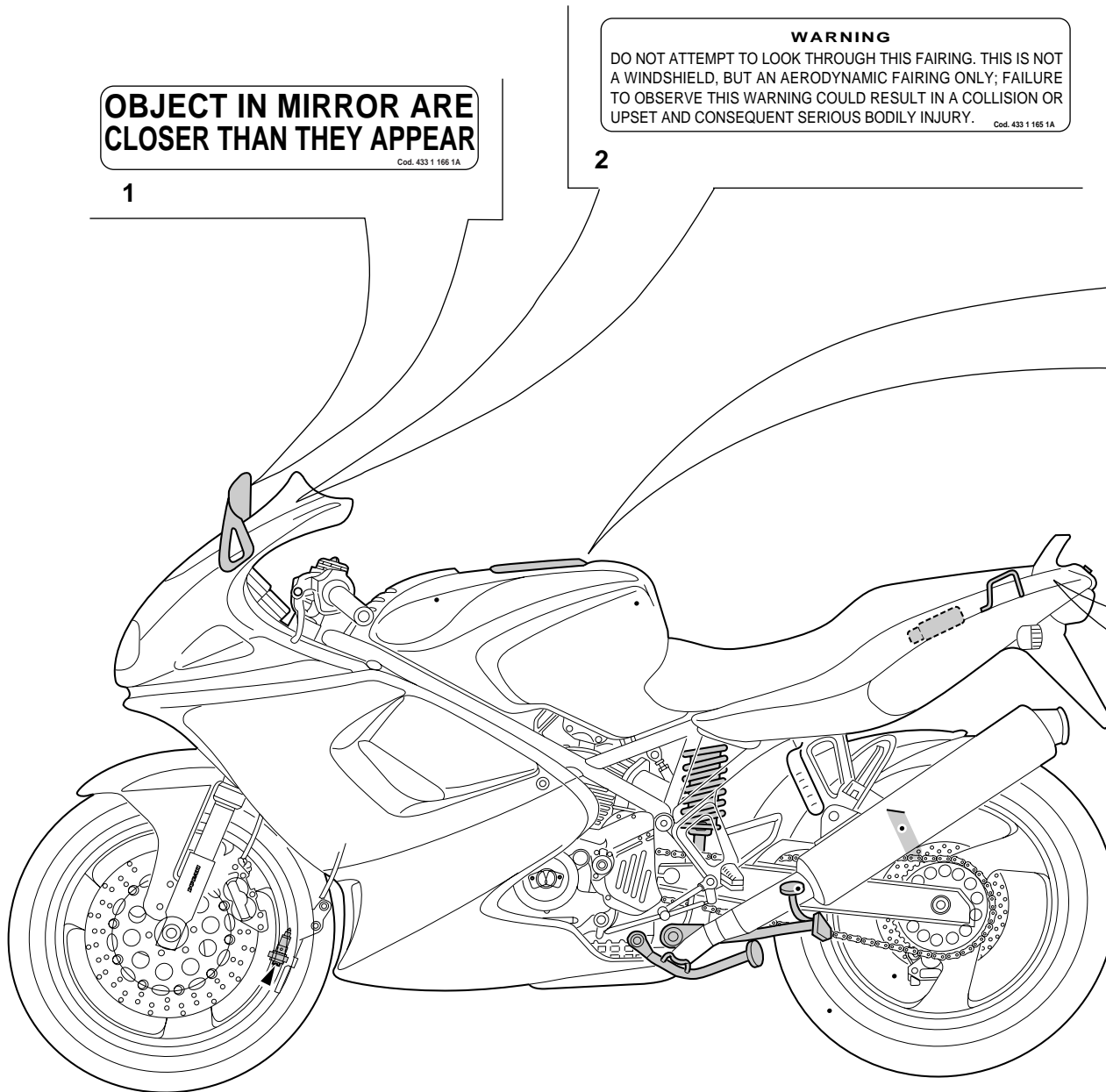
ATTENTION! To avoid fuel leaks from the breather pipe, do not lift the tank when it is more than half full.

Cod. 439.1.005.1A


4

**HELMET HOLDER
UNDER THE SEAT**

3

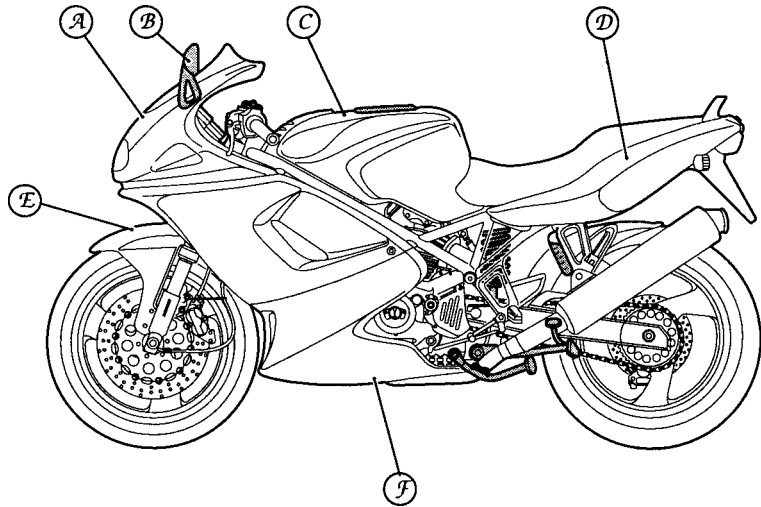


DRAWING **48** MARKING PLATES

NOTES	NO.	CODE NO.	DESCRIPTION	VALIDITY	Q.TY	
	1	433.1.165.1A	Sticker		1	
	2	433.1.166.1A	Label		2	
	3	433.1.170.1A	Sticker		1	
	4	433.1.164.1A	Sticker		1	

NOTES	NO.	CODE NO.	DESCRIPTION	VALIDITY	Q.TY	
-------	-----	----------	-------------	----------	------	---

PAINTS



Paint	Code	PPG
-------	------	-----

"Rosso Anniversary DUCATI" 487.111

"Giallo DUCATI" 473.201

"Blu metallizzato DUCATI" 291.800

- A** Headlight fairing
- C** Fuel tank
- D** Body panel
- E** Front mudguard
- F** Fairing

INDEX

CODE No.	Drwg.	POS. N.	CODE No.	Drwg.	POS. N.	CODE No.	Drwg.	POS. N.	CODE No.	Drwg.	POS. N.	CODE No.	Drwg.	POS. N.
0000.16132	047	7	0000.59056	037	4	0000.78345	025	15	0370.69.850	020	23	0504.03.085	002	5
0000.18048	039	14	0000.60283	022	14	0000.78348	024	4	0370.69.855	021	9	051.2.001.1A	001	19
0000.20602	023	16	0000.61078	027	12	0000.78348	024	4	0370.69.860	020	35	0615.27.143	047	17
0000.33552	027	20	0000.62648	038	4	0000.79672	023	2	0370.69.865	021	13	0619.47.030	006	12
0000.36230	023	8	0000.62651	029	6	0000.79672	023	2	0370.69.910	020	4	0619.49.240	007	12
0000.36230	023	8	0000.62652	029	8	0000.79673	023	3	0370.69.910	021	3	0619.50.065	012	17
0000.36230	039	20	0000.62652	036	4	0000.79673	023	3	0370.69.920	020	3	0647.29.040	012	15
0000.36726	039	7	0000.62705	025	12	0011.52.010	010	23	0370.69.920	021	2	0659.16.555	004	1
0000.36726	043	14	0000.62705	041	3	0011.52.010	011	21	0370.69.930	020	21	0660.13.045	002	15
0000.40427	030	2	0000.62726	037	18	00A0.55757	037	11	0370.69.930	021	7	0660.13.060	002	19
0000.41039	017	10	0000.62726	039	38	0124.40.050	012	9	0370.69.940	020	22	0660.13.070	002	13
0000.44099	019	6	0000.62729	023	9	0124.40.060	008	15	0370.69.940	021	8	0660.13.133	002	7
0000.44240	008	6	0000.62729	023	9	0150.70.120	005	17	0370.69.970	020	31	0660.13.143	002	9
0000.44240	015	2	0000.62729	036	5	0150.70.120	009	28	0370.69.970	021	14	0660.13.165	002	25
0000.44240	037	23	0000.63150	039	13	0150.92.280	002	5	0370.72.020	027	8	0660.16.145	004	21
0000.44240	039	18	0000.63150	043	9	0214.07.350	002	22	0370.72.020	028	18	0660.47.040	006	13
0000.44240	039	31	0000.63150	044	8	0250.70.223	015	4	0370.98.610	033	20	0660.49.053	009	17
0000.44240	047	6	0000.63161	043	10	0250.70.223	047	14	0370.98.880	047	15	0660.49.800	009	19
0000.46664	027	3	0000.63161	044	7	0251.47.050	003	1	0400.09.050	002	21	0660.49.920	033	13
0000.46664	028	3	0000.64471	038	3	0251.47.054	003	1	0400.17.030	004	36	0660.50.020	012	8
0000.55698	032	13	0000.64617	037	10	0272.91.090	002	8	0400.29.040	008	14	0664.39.727	037	28
0000.55698	044	19	0000.66181	028	15	0272.91.090	029	10	0400.29.125	002	34	0664.39.741	037	29
0000.56443	032	3	0000.66526	031	24	0361.98.850	047	18	0400.29.126	002	34	0665.49.680	005	8
0000.56443	040	23	0000.66527	031	29	0364.99.015	033	17	0400.49.240	005	13	0670.16.145	003	7
0000.56750	023	15	0000.69282	037	32	0364.99.020	044	3	0400.49.240	011	14	0670.16.150	003	3
0000.56750	023	15	0000.70139	001.1	4	0364.99.710	034	14	0419.50.045	042	19	0670.16.155	003	19
0000.56803	031	25	0000.74507	039	8	0370.49.250	010	22	0419.50.115	042	16	0670.16.163	003	11

INDEX

CODE No.	Drwg.	POS. N.	CODE No.	Drwg.	POS. N.	CODE No.	Drwg.	POS. N.	CODE No.	Drwg.	POS. N.	CODE No.	Drwg.	POS. N.
0670.16.164	003	11	112.1.007.1BA	006	8	160.1.049.1A	038	18	195.2.002.1B	004	22	245.1.019.1A	008	5
0670.16.164	003	15	112.1.007.1BB	006	8	160.1.057.1A	012	13	195.4.002.1A	028	31	245.1.020.1A	008	3
0670.16.165	003	15	117.1.001.2A	004	29	160.9.057.1A	042	1	196.1.001.1B	004	10	245.1.021.1A	008	1
0670.16.170	003	26	117.1.025.2A	037	13	162.1.001.1B	004	7	198.1.027.1A	004	13	245.1.022.1A	008	2
0670.16.171	003	26	117.1.033.1A	020	8	170.2.023.1A	004	17	208.1.001.4A	013	19	246.1.009.1A	023	22
0670.16.184	003	15	117.2.002.1A	019	21	171.2.021.1A	008	13	208.1.002.4A	013	18	246.1.009.1B	023	22
0670.16.185	003	15	120.2.059.1A	007	10	172.1.002.1B	003	10	209.1.001.4A	013	15	246.1.056.1A	033	21
0670.49.310	009	26	121.1.003.1A	007	2	172.1.003.1A	003	8	209.1.002.4A	013	14	247.1.002.1BB	011	23
0670.49.910	009	21	121.1.038.1A	007	3	172.1.004.1A	003	5	210.2.004.2A	013	5	247.1.020.1AA	007	7
0670.92.010	010	8	121.2.003.1A	007	4	172.1.005.1A	003	9	211.2.004.2A	013	7	247.1.020.1AA	014	11
0675.03.210	001	2	122.2.030.1B	007	1	172.1.006.1B	003	18	220.3.205.5A	009	18	247.1.079.1A	015	22
0675.49.530	032	6	135.1.013.1B	033	2	172.1.007.1B	003	24	220.3.208.3A	009	16	247.1.080.1A	015	16
0675.49.540	005	21	135.1.014.1B	033	3	172.1.008.1A	003	22	225.2.045.1A	010	1	247.1.083.1AB	011	2
0675.49.540	015	24	135.1.015.1A	033	22	172.1.009.1A	003	21	230213	037	3	247.1.089.1A	015	23
0675.49.540	031	31	140.1.001.1A	015	1	172.1.010.1A	003	20	235.2.002.1AA	015	9	247.1.090.1A	015	21
0755.29.025	006	10	146.2.017.1A	006	1	172.1.011.1A	003	23	235.2.017.1A	014	22	247.1.104.1A	009	2
0755.29.025	008	32	147.1.014.1A	008	10	173.1.004.1A	012	20	235.2.018.1A	014	21	247.1.114.1A	011	31
0755.49.265	010	2	148.1.001.1A	014	9	174.1.004.1A	009	12	235.2.020.1A	014	24	247.2.105.2A	041	25
0759.49.280	009	15	148.1.002.1A	014	7	174.2.016.2A	009	1	235.2.021.1A	014	23	250.2.030.2A	009	5
0765.92.205	002	21	148.1.004.1A	014	14	176.1.001.1A	012	6	236.1.010.3A	004	26	251.2.002.3B	011	29
0797.69.040	008	20	148.1.035.1A	014	13	176.1.002.1A	012	10	240.1.001.1AA	015	14	254.1.001.1A	011	25
0797.69.040	014	2	149.1.024.1A	003	25	180.1.001.1A	002	11	240.1.014.1A	015	19	254.4.001.1A	005	4
0797.72.068	019	7	150.2.005.1A	003	27	180.1.002.1A	002	12	240.1.015.1A	015	20	255.1.004.1A	008	18
0797.72.068	022	11	150.2.006.1A	003	2	180.1.008.1A	002	24	242.2.034.1A	011	13	255.1.004.1A	014	3
0799.13.110	002	20	150.2.035.1A	003	16	182.2.006.2B	002	18	243.1.025.1AC	005	1	264.4.018.1A	011	1
0803.77.010	038	20	153.1.005.1A	025	31	190.2.001.3A	004	8	243.2.004.1B	005	6	270.4.001.1A	012	1
0905.49.960	009	20	158.2.006.1D	006	5	194.2.001.1B	004	12	245.1.018.1A	008	4	276.1.025.2A	012	16

INDEX

CODE No.	Drwg.	POS. N.	CODE No.	Drwg.	POS. N.	CODE No.	Drwg.	POS. N.	CODE No.	Drwg.	POS. N.	CODE No.	Drwg.	POS. N.
280.4.005.1A	016	17	304.1.002.2BB	013	6	370.1.021.1A	034	10	400.2.013.1D	024	1	420.2.001.0A	027	17
282.4.019.1A	016	1	304.1.002.2BC	013	6	372.2.008.1A	035	1	401.4.010.1A	024	21	420.2.001.0A	028	8
283.4.003.1A	042	25	340.2.069.1B	026	1	373.1.023.1A	034	21	401.4.010.1A	024	21	420.2.001.0A	036	15
284.4.001.1B	016	14	340.2.070.1B	026	4	373.1.028.1A	034	20	402.4.012.1A	024	2	420.2.001.0A	037	26
285.4.003.1A	031	8	341.1.020.1A	025	23	373.1.029.1A	034	17	402.4.012.1A	024	2	420.2.001.0A	041	21
286.4.012.1A	031	15	342.2.015.1A	025	3	386.4.006.1A	031	26	403.1.009.1A	024	6	420.2.001.0A	042	6
287.4.014.1A	023	11	347.1.014.1A	026	6	386.4.013.1A	020	37	403.1.009.1A	024	6	420.2.006.2A	009	4
287.4.014.1A	023	11	349.1.064.1A	026	8	387.4.002.1A	031	27	404.1.005.1A	024	24	420.2.006.2A	010	28
287.4.024.1B	016	11	349.1.065.1A	026	9	389.4.005.1A	031	2	404.1.005.1A	024	24	420.2.006.4A	010	26
287.4.027.1A	016	16	349.1.095.1A	026	2	389.4.006.1A	023	21	407.4.001.1B	024	23	425.4.004.1A	042	22
287.4.028.1A	016	10	349.1.096.1A	026	16	389.4.006.1A	023	21	407.4.001.1B	024	23	426.1.007.1A	047	10
287.4.029.1A	016	15	349.1.097.1A	026	7	389.4.007.1A	023	21	408.1.001.1A	024	3	427.1.003.1A	042	8
287.4.040.1A	031	19	349.1.098.1A	026	11	389.4.007.1A	023	21	408.1.001.1A	024	3	427.4.002.1A	042	20
300182	032	16	349.1.101.1A	026	18	389.4.007.1A	031	23	408.1.010.1A	024	18	430.4.004.1A	042	12
301.2.063.1A	013	1	349.1.102.1A	026	20	389.4.008.1A	023	21	408.1.010.1A	024	18	433.1.028.1C	005	19
303.1.001.2A	013	2	349.1.103.1A	026	21	389.4.008.1A	023	21	417.6.075.9A	005	3	433.1.164.1A	048	4
303.1.001.2AB	013	2	349.1.109.1A	026	17	389.4.010.1A	023	21	417.6.082.9A	010	30	433.1.165.1A	048	1
303.1.001.2AC	013	2	349.1.110.1A	026	24	389.4.010.1A	023	21	417.7.007.1A	039	30	433.1.166.1A	048	2
303.1.001.2AD	013	2	349.1.111.1A	026	22	389.4.013.1A	031	23	417.9.030.6A	020	9	433.1.170.1A	048	3
303.1.015.1A	013	3	349.1.112.1A	026	3	389.4.014.1A	023	21	417.9.030.8A	025	1	433.1.179.1A	031	17
303.1.015.1AB	013	3	349.1.120.1A	026	23	389.4.014.1A	023	21	417.9.050.6A	012	3	433.1.230.1A	034	5
303.1.015.1AC	013	3	349.2.010.1A	026	15	390.4.003.1A	039	16	417.9.050.6A	032	5	433.1.238.1A	023	23
303.1.015.1AD	013	3	349.2.014.1A	026	10	390.4.005.1A	043	2	417.9.090.1A	035	14	433.1.238.1A	023	23
304.1.001.3B	013	4	360.1.014.1B	025	24	390.4.007.1A	023	16	420.2.000.7A	007	16	436.1.021.1AA	040	32
304.1.001.3BB	013	4	360.1.015.1B	025	16	395.4.001.1A	032	17	420.2.000.8A	002	5	436.1.021.1AB	040	32
304.1.001.3BC	013	4	365.2.027.1B	035	6	397.4.001.1A	032	7	420.2.000.8A	037	22	437.1.107.1AA	044	26
304.1.002.2B	013	6	369.1.004.1A	034	8	400.2.013.1D	024	1	420.2.001.0A	011	32	437.1.107.1AB	044	26

INDEX

CODE No.	Drwg.	POS. N.	CODE No.	Drwg.	POS. N.	CODE No.	Drwg.	POS. N.	CODE No.	Drwg.	POS. N.	CODE No.	Drwg.	POS. N.
437.1.112.1AA	044	2	460.1.074.1A	024	11	480.1.060.1CE	044	25	484.1.034.1AE	044	12	525.1.004.2A	039	24
437.1.112.1AB	044	2	460.1.074.1A	024	11	480.1.061.2AA	044	24	484.3.024.1A	043	5	525.4.010.1A	039	15
437.1.114.1AA	044	27	460.1.076.1A	025	35	480.1.061.2AD	044	24	484.3.034.1A	044	12	529.1.006.1A	039	25
437.1.114.1AB	044	27	460.1.077.1A	039	32	480.1.061.2AE	044	24	487.1.014.1A	043	27	529.1.006.1A	039	36
438.1.096.1AA	046	1	460.1.080.1A	039	37	480.3.058.1A	044	1	492.4.003.1A	038	24	529.1.008.1AB	044	28
438.1.096.1AB	046	1	460.1.088.1A	019	2	480.3.059.1A	044	9	492.4.010.1A	038	10	529.4.003.1A	046	6
442.2.008.1A	033	6	462.3.003.7A	002	31	480.3.061.1A	044	24	494.1.068.3E	038	15	530.4.003.1B	039	6
447.1.030.1A	034	13	462.3.003.8A	002	29	481.1.016.1BA	043	1	497.2.001.2A	038	8	530.4.004.1B	039	23
447.1.031.1A	034	4	462.3.003.8A	008	7	481.1.016.1BD	043	1	501.2.019.1AF	038	7	530.4.005.1A	043	16
449.1.027.2A	003	12	462.3.003.8A	011	7	481.1.016.1BE	043	1	502.2.017.2AB	038	23	530.4.006.1A	043	15
451.1.001.1A	008	29	462.4.037.6A	009	11	481.3.016.1A	043	1	510.1.108.1A	039	21	532.4.002.1A	039	34
451.1.002.1A	008	28	462.4.037.8A	008	33	482.1.027.1BA	040	18	510.1.142.1B	031	1	538.4.005.1A	023	33
451.1.004.1A	008	23	462.4.037.8A	009	9	482.1.027.1BD	040	18	510.1.147.1A	023	14	538.4.005.1A	023	33
451.1.007.1A	008	31	463.2.053.7A	004	15	482.1.027.1BE	040	18	510.1.147.1A	023	14	539.1.023.1A	018	13
451.1.010.1A	008	25	463.4.026.9A	004	16	482.1.028.1BA	040	21	510.2.003.1A	042	28	539.4.003.1B	037	15
451.1.021.1A	008	35	463.4.047.7A	005	18	482.1.028.1BD	040	21	513.1.008.1D	032	18	539.4.004.1B	028	5
455.2.003.1A	002	4	463.7.022.6A	004	18	482.1.028.1BE	040	21	514.1.016.1A	032	2	539.4.008.1D	005	16
456.1.006.1A	020	12	470.1.039.1AB	019	1	482.3.021.1A	040	28	514.1.017.1A	032	4	539.4.020.1A	002	6
456.2.009.1A	020	16	470412	016	9	482.3.022.1A	040	29	516.4.001.1AB	031	6	540.4.011.1C	023	10
457.2.008.1A	037	6	480.1.058.1CA	044	1	484.1.024.1AA	043	5	520.4.012.2B	023	1	540.4.011.1C	023	10
460.1.062.1A	020	25	480.1.058.1CD	044	1	484.1.024.1AD	043	5	520.4.012.2B	023	1	541.4.003.1A	023	31
460.1.063.1A	021	16	480.1.058.1CE	044	1	484.1.024.1AE	043	5	523.4.006.1AA	043	24	541.4.003.1A	023	31
460.1.070.1A	043	26	480.1.059.2AA	044	9	484.1.025.1AA	044	16	523.4.006.1AD	043	24	541.4.003.1A	031	22
460.1.071.1A	043	22	480.1.059.2AD	044	9	484.1.026.1AA	044	20	523.4.006.1AE	043	24	546.1.097.1A	031	16
460.1.072.1A	043	20	480.1.059.2AE	044	9	484.1.029.1B	042	10	523.4.007.1AA	043	19	548.4.019.1A	029	1
460.1.073.1A	024	28	480.1.060.1CA	044	25	484.1.034.1A	044	12	523.4.007.1AD	043	19	548.4.023.1A	036	1
460.1.073.1A	024	28	480.1.060.1CD	044	25	484.1.034.1AD	044	12	523.4.007.1AE	043	19	549.1.007.1A	036	7

INDEX

CODE No.	Drwg.	POS. N.	CODE No.	Drwg.	POS. N.	CODE No.	Drwg.	POS. N.	CODE No.	Drwg.	POS. N.	CODE No.	Drwg.	POS. N.
549.1.008.1A	036	6	571.1.035.1A	017	5	593.1.018.1A	009	29	60N102584	034	9	626.4.010.1A	027	4
550.4.008.1A	029	4	573.1.045.1A	017	11	595.1.034.1A	040	16	60N107335	004	28	626.4.010.1A	028	20
552.1.003.2A	041	12	574.1.045.1A	017	4	598.2.017.2A	019	18	60N107335	007	17	630.4.006.1A	027	1
552.4.002.1A	023	27	576.1.028.1A	017	12	598.2.019.1A	039	5	60N107335	008	8	631.4.004.1A	028	9
552.4.002.1A	023	27	576.1.029.1A	017	2	598.4.011.1A	025	8	60N107335	014	17	631.4.008.1A	027	5
552.4.009.1A	011	38	585.1.019.1A	033	18	598.4.015.1A	040	33	60N107335	015	13	631.4.008.1A	028	21
552.4.012.1A	023	24	585.1.020.1A	030	1	60N101079	010	15	60N107335	039	22	632.1.013.1B	027	18
552.4.012.1A	023	24	585.4.001.1A	037	20	60N101079	011	6	60N115062	037	9	650.4.006.1B	025	25
552.4.013.1A	030	9	586.1.029.1BA	041	1	60N102488	024	5	60N115503	025	21	651.4.008.1A	025	14
552.4.028.1A	001.2	15	586.1.029.1BD	041	1	60N102488	024	5	60N115548	039	19	652.4.004.2A	025	9
553.4.003.1A	030	19	586.1.029.1BE	041	1	60N102504	007	15	610.4.011.2C	028	26	654.4.006.1A	025	30
555.1.005.1A	018	3	586.3.029.1A	041	1	60N102505	036	11	610.4.012.2C	028	7	655.2.001.1A	025	18
555.1.006.1A	018	4	590.1.058.1A	042	24	60N102505	037	21	611.4.009.1A	037	36	656.1.024.1A	025	26
555.1.007.1A	018	2	590.1.059.1A	042	21	60N102509	002	28	612.4.008.1A	028	12	658.4.002.1B	025	29
556.1.017.1C	018	14	590.1.069.1A	047	12	60N102509	005	2	612.4.008.1A	037	40	668.1.001.2A	011	16
556.1.018.1C	018	15	590.1.080.1A	016	12	60N102510	005	5	612.4.014.1A	028	4	669.1.001.1E	013	10
556.2.020.1B	018	16	590.1.085.1A	041	9	60N102510	008	34	612.4.016.1A	037	39	670.4.012.1A	031	32
559.1.005.1A	040	1	590.1.091.1A	042	23	60N102510	009	10	612.4.017.1A	028	10	671.1.009.1A	031	14
561.1.013.2A	039	29	590.1.092.1A	042	14	60N102510	011	19	612.4.019.1A	037	37	671.1.010.1A	031	10
561.1.017.1B	039	27	590.1.095.1A	041	16	60N102510	012	5	613.4.021.1A	037	38	672.1.006.1A	004	27
564.1.023.1AA	044	18	590.1.097.1B	047	11	60N102510	015	26	613.4.021.1B	028	25	672.1.019.1A	023	18
564.1.023.1AD	044	18	590.1.098.1A	047	22	60N102510	031	3	618.4.032.1D	028	23	672.1.019.1A	023	18
564.1.023.1AE	044	18	590.1.103.1A	016	4	60N102511	008	9	619.4.015.1C	037	30	672.1.022.1A	023	17
564.3.023.1A	044	18	590.1.104.1A	047	13	60N102511	011	15	624.4.012.1B	028	1	672.1.022.1A	023	17
565.1.021.1A	034	16	590.1.106.1A	047	2	60N102511	019	15	625.4.006.1A	037	27	676.2.033.1A	034	11
565.1.022.2A	040	22	590.1.124.1A	016	7	60N102511	030	15	626.1.003.1A	027	2	676.4.023.1A	034	15
570.1.035.1A	017	7	593.1.003.1A	033	14	60N102557	025	7	626.1.003.1A	028	2	677.4.003.1A	001.1	12

INDEX

CODE No.	Drwg.	POS. N.	CODE No.	Drwg.	POS. N.	CODE No.	Drwg.	POS. N.	CODE No.	Drwg.	POS. N.	CODE No.	Drwg.	POS. N.
680.1.001.1B	009	7	701.4.006.1A	035	3	710.1.069.1A	010	27	715.1.004.1A	035	9	73270.8001	017	13
680.1.003.1H	014	15	701.4.007.1A	012	21	710.1.070.1A	010	21	716.1.022.1A	023	6	734005N01	011	39
680.1.007.1A	014	27	702.4.004.1A	025	6	711.1.006.1A	010	34	716.1.022.1A	023	6	734006N01	012	2
684.1.014.1B	007	21	702.4.009.1A	011	11	711.1.083.1A	017	16	716.1.022.1A	024	14	734305N01	040	12
684.1.022.1B	024	7	702.4.010.1A	011	9	711.1.084.1A	030	21	716.1.022.1A	024	14	734306N01	005	22
684.1.022.1B	024	7	702.5.001.1A	008	24	712.1.013.1A	041	5	716.1.022.1A	032	10	73500.0827	020	17
684.1.026.1A	033	23	702.5.008.1A	010	20	712.1.021.1A	006	6	716.1.022.1A	033	9	73500.0827	021	4
697.2.011.1A	040	25	702.5.008.1A	011	4	713.1.007.1A	014	5	716.1.022.1A	039	11	73500.1237	009	25
698.1.015.1A	046	7	702.5.016.1A	004	14	713.1.008.2A	008	17	716.1.038.1A	030	4	73500.1237	012	7
698.1.016.1A	046	10	702.5.017.1A	010	12	713.1.011.1A	003	15	716.1.038.1A	040	7	73500.1440	012	11
698.1.021.1BA	046	2	703.1.013.1A	025	34	713.1.012.1B	004	31	716.1.043.1A	047	5	73500.1542	002	35
698.1.021.1BD	046	2	70555.1631	008	12	713.1.014.1A	003	11	716.1.053.1A	032	11	73500.1747	008	27
698.1.021.1BE	046	2	70610.8120	004	11	713.1.014.1A	003	15	72094.1616	010	10	73500.2668	042	26
698.1.022.1BA	046	11	70620.5212	011	40	713.1.014.1B	003	11	72121.2106	006	4	73503.3075	005	11
698.1.022.1BD	046	11	70620.5212	024	13	713.1.014.1E	003	11	72231.0871	044	10	73503.3380	008	26
698.1.022.1BE	046	11	70620.5212	024	13	713.1.014.1E	003	15	72237.0657	043	12	73503.3380	010	18
698.1.023.1A	046	4	70700.6N02	027	10	713.1.014.1F	003	11	72237.0657	046	3	73503.3380	011	43
698.1.024.1A	046	13	70700.6N02	028	19	713.1.097.1B	038	13	72237.0974	042	17	73503.3380	015	10
698.1.025.1A	046	9	70780.6516	007	6	713.1.098.1A	038	22	72237.0974	046	5	73503.3449	042	5
698.1.026.1A	046	8	70780.6516	014	10	713.1.118.1A	011	10	72465.0214	028	30	73503.3683	014	18
698.1.027.1A	046	12	70914.2121	017	14	713.1.126.1A	043	18	72944.1542	008	21	736.4.013.1B	044	23
700.1.005.1A	038	21	710.1.001.1A	009	13	713.1.127.1A	043	23	72944.1542	014	1	737.4.010.1B	008	22
700.1.023.2A	031	12	710.1.002.1A	004	33	713.1.128.1A	011	27	729908FN1	008	30	741.1.012.1A	039	33
700.1.024.1A	040	20	710.1.025.1A	035	4	713.1.129.1A	040	13	729908FN1	022	9	741.1.013.1A	019	3
700.1.025.1A	040	19	710.1.041.1B	038	17	713.1.130.1A	045	5	729910FF1	019	16	741.1.013.1A	047	3
701.4.003.1A	012	19	710.1.046.1A	035	12	713.1.140.1A	010	14	732.1.005.1A	040	27	741.1.017.1A	017	6
701.4.005.1A	003	4	710.1.057.1A	035	19	714.1.028.1A	038	6	732.2.006.1A	039	3	741.4.001.1A	030	7

INDEX

CODE No.	Drwg.	POS. N.	CODE No.	Drwg.	POS. N.	CODE No.	Drwg.	POS. N.	CODE No.	Drwg.	POS. N.	CODE No.	Drwg.	POS. N.
741.4.002.1A	007	19	747.5.001.1A	020	7	758.1.019.1A	022	7	76401.0009	035	18	771.5.078.2B	005	20
741.4.002.1A	030	12	748.1.014.1B	038	1	759.1.015.1A	040	31	76401.0010	035	13	771.5.078.2B	012	12
741.4.002.1A	033	15	748.1.023.1A	034	1	760.1.003.1A	033	11	76402.0002	003	17	771.5.080.2B	010	31
741.4.004.1A	041	10	748.4.002.7A	017	3	760.1.015.1A	040	8	765.1.001.1A	020	15	771.5.122.2B	002	30
741.4.004.1A	042	13	748.4.024.1A	038	12	76266.2668	010	4	766.1.014.1A	010	6	771.5.129.2B	009	8
741.4.013.1B	047	16	749.4.045.2G	018	7	76267.0012	009	24	766.4.012.1A	014	6	771.5.136.2B	010	24
741.4.022.1A	015	7	749.4.045.2G	018	17	76270.0827	003	29	766.4.012.1A	015	3	771.5.141.2B	022	8
741.4.025.1A	030	8	749.5.001.1A	031	9	763106N01	020	5	76835.1134	002	10	771.5.667.2B	027	6
741.4.033.1A	036	10	749.5.001.1A	039	40	763106N01	041	18	770.5.619.2B	040	11	771.5.667.2B	028	24
741.4.038.1A	031	30	749.5.001.1A	043	8	764.1.001.1A	017	15	771.1.008.1A	035	11	771.5.667.2B	040	6
741.4.040.1A	016	5	750.1.002.1B	004	35	764.1.002.1A	013	8	771.1.009.1A	035	10	771.5.721.2B	031	5
741.4.041.1A	016	6	750.1.012.2A	006	14	764.1.003.1B	004	6	771.4.006.1A	011	36	771.5.721.2B	038	9
741.4.043.1A	027	14	750.1.041.1A	035	15	764.1.010.1A	019	20	771.5.002.1A	045	4	771.5.723.2B	038	25
741.4.043.1A	028	16	750.1.042.1A	041	17	764.1.011.1A	037	5	771.5.004.2B	034	18	771.5.724.2B	037	35
741.4.043.1A	037	17	750.5.001.1A	002	23	764.1.016.1A	023	28	771.5.025.2B	031	7	771.5.725.2B	020	2
741.4.055.1A	030	22	750.5.001.1A	031	11	764.1.016.1A	023	28	771.5.040.2B	011	5	771.5.725.2B	021	5
741.4.057.1A	047	1	750.5.001.1A	032	24	764.1.019.1A	041	23	771.5.040.2B	041	15	771.5.725.2B	025	22
741.4.058.1A	047	20	750.5.001.1A	039	12	764.1.023.1A	040	26	771.5.043.2B	004	4	771.5.754.2B	018	8
741.4.059.1A	047	21	75113.2566	004	20	764.1.024.1A	036	3	771.5.043.2B	022	3	771.5.754.2B	037	14
741.4.063.1A	047	19	75120.1747	014	26	764.4.003.1A	023	4	771.5.043.2B	039	28	771.5.937.2B	035	20
74172.1008	006	16	75143.3380	010	32	764.4.003.1A	023	4	771.5.045.7E	041	14	771.5.938.2B	035	5
74172.1008	008	16	75162.2566	038	5	764.4.005.1A	031	28	771.5.064.2B	011	3	772.1.001.1A	018	1
74172.1008	014	8	75162.3075	038	16	764.5.018.1A	024	25	771.5.066.2B	011	20	772.1.001.1A	019	11
74223.1045	033	12	75191.3380	010	33	764.5.018.1A	024	25	771.5.072.2B	005	24	772.5.004.1A	020	24
74224.0570	004	34	75791.1747	010	9	76400.0004	010	3	771.5.072.2B	010	35	772.5.004.1A	021	17
74224.0570	006	7	75794.1542	010	17	76401.0002	020	10	771.5.072.2B	030	16	772.5.004.1A	025	36
747.1.006.1A	035	17	75794.1542	015	11	76401.0003	020	6	771.5.073.2B	011	37	772.5.008.1A	045	3

INDEX

CODE No.	Drwg.	POS. N.	CODE No.	Drwg.	POS. N.	CODE No.	Drwg.	POS. N.	CODE No.	Drwg.	POS. N.	CODE No.	Drwg.	POS. N.
772.5.023.1A	022	6	775.1.011.1A	044	6	779.1.088.1A	040	3	780.1.008.1A	042	7	799.1.052.1A	016	8
772.5.023.1A	025	28	775.5.002.1A	045	6	779.1.089.1A	044	17	780.5.001.1A	011	33	799.1.055.1A	009	30
772.5.023.1A	029	9	776.4.002.1A	024	19	779.1.092.1A	027	7	786.1.047.1A	007	9	799.1.069.1A	018	5
772.5.023.1A	030	3	776.5.032.2A	015	5	779.1.092.1A	028	17	786.1.054.1A	007	11	799.1.070.1A	018	6
772.5.023.1A	032	15	776.5.307.2A	028	29	779.1.099.1A	025	2	787.1.005.1A	036	12	799.1.071.1A	020	29
772.5.023.1A	033	8	777.5.002.1A	020	20	779.1.109.1A	006	2	788.1.002.2A	015	6	799.1.072.1A	017	9
772.5.023.1A	039	1	777.5.002.1A	021	6	779.1.116.1A	024	26	788.1.003.1B	011	41	799.1.083.1A	037	41
772.5.023.1A	043	17	777.5.007.2B	043	4	779.1.116.1A	024	26	788.1.007.3A	015	15	799.1.088.1A	018	10
772.5.024.1A	019	10	777.5.049.2C	011	24	779.1.116.1A	043	21	788.1.012.1A	011	41	799.1.089.1A	018	9
772.5.024.1A	020	19	777.5.210.2A	025	17	779.1.119.2A	034	3	788.1.013.1A	011	41	799.2.077.1A	009	14
772.5.024.1A	022	12	779.1.007.2A	006	9	779.1.157.1A	023	26	788.1.050.1A	015	17	8.1A	044	25
772.5.024.1A	023	5	779.1.026.1A	009	23	779.1.157.1A	023	26	788.1.052.1A	005	7	800.1.007.1A	007	20
772.5.024.1A	023	5	779.1.026.1A	010	29	779.1.159.1A	020	26	788.1.053.1A	015	18	800.1.008.1A	007	18
772.5.024.1A	025	20	779.1.037.1A	034	22	779.1.162.1A	009	27	788.1.054.1A	012	4	800.1.033.1A	030	17
772.5.024.1A	037	12	779.1.039.1A	002	3	779.1.170.1A	042	2	788.1.056.1A	011	30	800.1.048.1A	030	13
772.5.024.1A	039	26	779.1.058.1A	025	33	779.4.005.1A	018	12	790.1.001.1A	017	1	800.1.049.1A	030	6
772.5.025.1A	019	14	779.1.058.1A	027	16	779.5.001.1A	009	6	791.1.012.1A	041	26	800.1.053.1A	030	18
772.5.025.1A	028	27	779.1.058.1A	028	11	779.5.001.1A	020	11	791.1.017.1A	016	19	800.1.054.1A	030	20
772.5.025.1A	029	3	779.1.058.1A	036	14	779.5.001.1A	044	5	791.2.020.1A	007	5	8000.18048	023	7
772.5.025.1A	032	20	779.1.058.1A	037	25	779.5.001.1A	047	9	799.1.012.1A	004	25	8000.18048	023	7
772.5.025.1A	041	6	779.1.059.1A	029	5	779.5.005.1A	009	3	799.1.014.1A	013	16	8000.18048	024	8
77499.3421	010	19	779.1.082.1A	027	19	779.5.010.1A	035	7	799.1.015.1A	013	13	8000.18048	024	8
77499.3421	011	17	779.1.083.1A	036	8	779.5.012.1A	017	17	799.1.024.1A	020	32	8000.18048	033	10
775.1.006.1A	032	19	779.1.084.1A	032	8	779.5.012.1A	025	19	799.1.024.1A	021	12	8000.42278	024	12
775.1.008.1A	040	17	779.1.086.1B	036	13	779.5.012.1A	025	32	799.1.025.1A	002	27	8000.42278	024	12
775.1.008.2A	044	14	779.1.088.1A	023	20	780.1.006.1A	009	31	799.1.049.1A	002	1	8000.56359	019	9
775.1.011.1A	043	11	779.1.088.1A	033	5	780.1.007.1A	017	8	799.1.051.2A	006	15	8000.56359	032	9

INDEX

CODE No.	Drwg.	POS. N.	CODE No.	Drwg.	POS. N.	CODE No.	Drwg.	POS. N.	CODE No.	Drwg.	POS. N.	CODE No.	Drwg.	POS. N.
8000.56391	041	13	8000.77921	041	20	821.1.004.1A	013	12	827.1.089.1A	023	12	829.1.172.1A	032	22
8000.56443	027	13	802.1.015.1A	016	18	821.1.009.1B	038	19	827.1.090.1A	023	25	829.1.174.1A	022	5
8000.56443	039	10	806.1.011.1AA	039	2	821.1.028.2B	041	8	827.1.090.1A	023	25	829.1.175.2A	022	10
8000.56465	024	19	806.1.011.1AD	039	2	821.1.052.1A	037	7	827.1.121.1A	019	13	829.1.177.1A	024	9
8000.56741	024	22	806.1.011.1AE	039	2	821.1.054.1A	023	19	827.1.122.1A	025	11	829.1.177.1A	024	9
8000.56741	024	22	806.1.011.1AE	039	2	821.1.054.1A	023	19	827.1.123.1A	033	1	829.1.179.1A	022	15
8000.56742	024	20	806.1.012.1A	020	27	821.1.070.1A	002	17	827.1.124.1A	033	4	829.1.183.1A	023	32
8000.56742	024	20	806.1.013.1A	020	36	821.1.073.1A	025	10	827.1.130.1A	043	7	829.1.183.1A	023	32
8000.56747	024	17	808.1.007.1A	035	8	821.1.075.1A	024	10	827.1.131.1A	043	6	829.1.184.1A	037	1
8000.56747	024	17	808.1.018.1A	043	3	821.1.075.1A	024	10	827.1.139.1B	018	11	829.1.186.1A	041	11
8000.56748	024	16	808.1.019.1A	040	9	821.1.081.1A	039	17	827.1.157.1A	047	8	829.1.190.1A	023	30
8000.56748	024	16	80A0.06385	031	13	824.1.039.1A	020	1	827.1.162.1A	043	25	829.1.190.1A	023	30
8000.56752	024	15	80A0.53548	020	18	824.1.040.1B	021	1	827.1.166.1A	023	34	829.1.190.1A	031	21
8000.56752	024	15	80B0.55703	041	24	824.1.041.1C	020	30	827.1.166.1A	023	34	829.1.204.1A	022	13
8000.59056	020	14	80C0.05893	041	4	824.1.042.1C	021	15	827.1.192.1A	020	38	829.1.205.1A	045	2
8000.59572	023	13	814.1.002.1AA	007	14	825.1.022.1A	037	34	827.2.003.1A	029	7	829.1.206.1A	045	1
8000.59572	023	13	814.1.053.1A	030	14	826.1.003.1A	010	11	827.2.134.1A	041	7	829.1.207.1A	047	4
8000.65535	023	20	814.1.063.1A	030	11	826.1.009.1A	002	33	829.1.073.2A	037	24	829.1.208.1A	028	28
8000.66774	025	27	814.1.065.1A	042	4	826.1.011.1A	003	13	829.1.077.2B	042	11	829.1.217.1A	031	4
8000.67981	037	8	814.1.066.1A	042	29	827.1.012.1A	044	15	829.1.104.1A	042	18	829.1.240.1A	028	22
8000.68490	028	14	815.1.005.1A	010	25	827.1.045.1A	020	34	829.1.127.1A	031	20	829.1.241.1A	027	9
8000.69069	036	2	818.2.009.1A	004	3	827.1.045.1A	021	10	829.1.129.1A	033	25	829.1.245.1A	015	25
8000.70127	026	12	819.1.017.1A	038	11	827.1.061.1A	040	4	829.1.136.1A	039	35	829.4.001.1A	040	5
8000.70133	026	14	819.1.030.1A	034	2	827.1.071.1A	032	12	829.1.167.1AA	022	4	830.1.040.1B	019	8
8000.70178	025	13	821.1.001.1A	002	26	827.1.072.1A	032	21	829.1.168.1AA	022	1	830.1.121.1A	016	13
8000.73456	037	31	821.1.002.1A	013	20	827.1.077.1A	032	1	829.1.169.1A	019	5	830.1.131.1A	041	22
8000.74049	038	2	821.1.003.1A	013	17	827.1.089.1A	023	12	829.1.170.1A	019	4	830.1.144.1A	011	35

INDEX

CODE No.	Drwg.	POS. N.	CODE No.	Drwg.	POS. N.	CODE No.	Drwg.	POS. N.	CODE No.	Drwg.	POS. N.	CODE No.	Drwg.	POS. N.
830.1.172.1A	016	3	840.1.027.1A	13	11	840.1.070.1B	13	9	852.1.098.1A	042	3	852.5.002.1A	044	11
840.1.001.1A	13	11	840.1.028.1A	13	11	840.1.071.1B	13	9	852.1.103.1A	025	4	852.5.003.1A	033	24
840.1.002.1A	13	11	840.1.029.1A	13	11	840.9.001.1A	013	9	852.1.104.1A	006	11	856.1.001.1A	003	6
840.1.003.1A	13	11	840.1.030.1A	13	11	840.9.002.1B	013	11	852.1.104.1B	006	11	856.1.002.1A	008	19
840.1.004.1A	13	11	840.1.031.1A	13	11	841.1.001.1C	044	4	852.1.104.1C	006	11	856.1.002.1A	014	4
840.1.005.1A	13	11	840.1.032.1A	13	11	841.1.002.2A	004	2	852.1.104.1D	006	11	856.1.025.1A	010	7
840.1.006.1A	13	11	840.1.033.1A	13	11	847.4.002.1A	020	33	852.1.104.1E	006	11	856.1.031.1A	003	30
840.1.007.1A	13	11	840.1.034.1A	13	11	847.4.002.1A	021	11	852.1.104.1F	006	11	856.1.040.1A	040	30
840.1.008.1A	13	11	840.1.051.1B	13	9	850.1.003.1A	044	21	852.1.104.1G	006	11	856.1.040.1A	044	13
840.1.009.1A	13	11	840.1.052.1B	13	9	850.4.013.1A	043	28	852.1.104.1H	006	11	856.1.049.1A	008	19
840.1.010.1A	13	11	840.1.053.1B	13	9	850.4.016.1A	040	14	852.1.104.1I	006	11	856.1.050.1A	008	19
840.1.011.1A	13	11	840.1.054.1B	13	9	850.4.031.1A	042	9	852.1.104.1J	006	11	861.5.003.1A	020	28
840.1.012.1A	13	11	840.1.055.1B	13	9	851.1.001.1B	004	9	852.1.104.1K	006	11	863.1.002.1A	012	14
840.1.013.1A	13	11	840.1.056.1B	13	9	851.4.001.1A	004	5	852.1.104.1L	006	11	866.1.029.1A	041	19
840.1.014.1A	13	11	840.1.057.1B	13	9	852.1.001.1A	034	12	852.1.104.1M	006	11	866.1.030.1A	040	15
840.1.015.1A	13	11	840.1.058.1B	13	9	852.1.002.1A	034	12	852.1.104.1N	006	11	866.1.031.1A	032	14
840.1.016.1A	13	11	840.1.059.1B	13	9	852.1.003.1A	034	12	852.1.105.1AB	003	26	866.1.034.1A	019	19
840.1.017.1A	13	11	840.1.060.1B	13	9	852.1.005.1A	002	14	852.1.105.1AD	003	26	872.1.019.1A	034	6
840.1.018.1A	13	11	840.1.061.1B	13	9	852.1.008.1A	005	10	852.1.105.1AG	003	26	872.1.022.1A	040	2
840.1.019.1A	13	11	840.1.062.1B	13	9	852.1.024.1A	024	27	852.1.108.1AH	003	1	872.1.026.1A	019	12
840.1.020.1A	13	11	840.1.063.1B	13	9	852.1.024.1A	024	27	852.1.108.1AL	003	1	872.1.027.1A	019	17
840.1.021.1A	13	11	840.1.064.1B	13	9	852.1.053.1A	002	2	852.1.108.1AN	003	1	872.4.018.1A	031	18
840.1.022.1A	13	11	840.1.065.1B	13	9	852.1.053.1A	020	13	852.1.111.1A	002	5	872.4.022.1A	045	8
840.1.023.1A	13	11	840.1.066.1B	13	9	852.1.054.1A	037	2	852.1.114.1A	011	34	872.4.023.1A	045	9
840.1.024.1A	13	11	840.1.067.1B	13	9	852.1.075.1A	044	22	852.5.001.1A	039	9	873.1.001.1A	014	20
840.1.025.1A	13	11	840.1.068.1B	13	9	852.1.079.1A	034	19	852.5.001.1A	039	39	873.1.004.1A	014	19
840.1.026.1A	13	11	840.1.069.1B	13	9	852.1.094.1A	002	19	852.5.002.1A	043	13	875.1.027.1A	036	9

INDEX

CODE No.	Drwg.	POS. N.	CODE No.	Drwg.	POS. N.	CODE No.	Drwg.	POS. N.	CODE No.	Drwg.	POS. N.	CODE No.	Drwg.	POS. N.
875.1.038.1A	035	16	886.5.004.1A	016	20	88713.1091	001	23	88765.1076	001.2	21	895.4.001.2A	041	2
876.1.066.1A	033	16	886.5.011.1A	042	27	88713.1093	001	26	88765.1077	001.2	21	8A00.67610	030	5
876.1.069.1A	033	19	88700.5644	001	1	88713.1097	001.1	1	88765.1126	001.2	6	8A00.67997	003	14
877.1.040.1A	023	29	88700.5665	001	30	88713.1139	001	3	88765.1126A	001.2	4	8A00.67997	037	33
877.1.040.1A	023	29	88700.5749	001	24	88713.1140	001.1	2	88765.1126B	001.2	12	8A00.67997	039	4
877.1.050.1A	037	16	88713.0123	001	6	88713.1309	001	10	88765.1126C	001.2	11	8A00.69056	026	13
877.1.055.1A	032	23	88713.0137	001	12	88713.1332	001	29	88765.1126D	001.2	14	8A00.69056	028	6
877.1.068.1A	028	13	88713.0144	001	28	88713.1344	001.1	3	88765.1126E	001.2	9	8BB0.61070	045	7
877.1.069.1A	027	15	88713.0146	001	25	88713.1419	001	22	88765.1126F	001.2	13	8H00.67545	040	10
877.2.002.1A	033	7	88713.0844	001	16	88713.1502	001	31	88765.1126G	001.2	17	913.7.062.1A	040	24
881.1.010.1B	012	18	88713.0847	001	21	88713.1515	001.1	7	88765.1126H	001.2	16	914.7.023.1A	001.2	2
881.1.012.1A	002	32	88713.0862	001	11	88765.0968	001	27	88765.1126L	001.2	19	914.7.023.1B	001.2	2
881.1.027.2A	022	2	88713.0869	001	32	88765.0978	001	20	88765.1126M	001.2	18	914.7.023.1C	001.2	2
881.1.030.1A	005	23	88713.0870	001	33	88765.1001	001	14	88765.1126N	001.2	7	914.7.023.1D	001.2	2
881.2.001.1A	004	19	88713.0874	001	7	88765.1068	001	15	88765.1126P	001.2	10	914.7.023.1E	001.2	2
882.1.003.1A	008	11	88713.0875	001	9	88765.1068	001.1	13	88765.1126Q	001.2	5	930.1.004.1A	025	5
882.1.006.1A	002	16	88713.0879	001	8	88765.1069	001	15	88765.1126R	001.2	3	930.1.005.1A	026	19
884.1.005.1A	026	5	88713.0891	001	4	88765.1069	001.1	13	88765.1126S	001.2	22	930.4.009.1A	004	23
884.4.007.1A	034	7	88713.0957	001.1	6	88765.1070	001	15	88765.1126T	001.2	23	930.5.005.1A	011	26
884.5.008.1A	038	14	88713.0960	001.1	5	88765.1070	001.1	13	88765.1126U	001.2	20	930.5.006.2A	011	28
884.5.010.1A	016	2	88713.1010	001	18	88765.1071	001	15	88765.1126V	001.2	8	93781.1824	035	2
884.5.011.1A	011	8	88713.1010	001.1	11	88765.1071	001.1	13	88765.1126Z	001.2	1	93783.0812	003	28
886.4.001.1A	014	16	88713.1058	001.1	9	88765.1072	001	15	893.1.003.1A	029	2	93783.1524	011	18
886.4.001.1A	015	8	88713.1071	001.1	8	88765.1072	001.1	13	893.1.005.1A	005	15	93783.1730	015	12
886.4.021.1A	042	30	88713.1072	001.1	10	88765.1073	001.2	21	893.4.005.1A	027	11	93783.2235	014	25
886.4.022.1A	042	31	88713.1078	001	13	88765.1074	001.2	21	893.4.005.1A	037	19	93783.2552	010	13
886.5.001.1A	042	15	88713.1079	001	17	88765.1075	001.2	21	895.1.004.1A	006	3	93784.2030	005	9

INDEX

CODE No.	Drwg.	POS. N.	CODE No.	Drwg.	POS. N.	CODE No.	Drwg.	POS. N.	CODE No.	Drwg.	POS. N.	CODE No.	Drwg.	POS. N.
93785.0822	004	24												
93785.1830	010	16												
93823.0128	004	32												
93823.2018	004	30												
93823.2037	007	13												
93823.2056	011	42												
93823.2082	005	14												
93823.2087	007	8												
93823.2087	014	12												
93823.2087	030	10												
93823.2131	011	22												
93827.0114	005	12												
93827.0114	009	22												
94247.0014	010	5												
94247.0014	011	12												
98112.0002	001	5												

Spare parts catalogue SPORT TOURING 4 USA

DUCATIST



<i>DUCATIMOTOR</i>	●	<i>DUCATIST4</i>	<i>M.Y. '00</i>	<i>U.S.A.</i>
<i>Spare Sparts Department</i>		<i>P.N. 91510631B</i>	<i>Dicembre - December '99</i>	<i>Edizione - Edition 01</i>
<i>DUCATIMOTOR</i>	●	<i>DUCATIST4</i>	<i>M.Y. '00</i>	<i>U.S.A.</i>
<i>Spare Sparts Department</i>		<i>P.N. 91510631B</i>	<i>Dicembre - December '99</i>	<i>Edizione - Edition 01</i>
<i>DUCATIMOTOR</i>	●	<i>DUCATIST4</i>	<i>M.Y. '00</i>	<i>U.S.A.</i>
<i>Spare Sparts Department</i>		<i>P.N. 91510631B</i>	<i>Dicembre - December '99</i>	<i>Edizione - Edition 01</i>
<i>DUCATIMOTOR</i>	●	<i>DUCATIST4</i>	<i>M.Y. '00</i>	<i>U.S.A.</i>
<i>Spare Sparts Department</i>		<i>P.N. 91510631B</i>	<i>Dicembre - December '99</i>	<i>Edizione - Edition 01</i>