

GENERAL INFORMATION

The present *spare parts* order exactly the right spare parts.

When ordering specify:

- 1) the part's code number followed by its description;
- 2) the motorcycle's serial number, stamped on the steering head.

Reference to right and left apply to the vehicle in terms of its direction of movement.

VALIDITY

- f.m.** Until V.I.N.
- d.m.** From V.I.N.
- f.m.m.** Up to engine number
- d.m.m.** From engine number

- RED motorcycle
- BLACK motorcycle
- ▲ YELLOW motorcycle
- ◆ GREY motorcycle
- ▼ BLEU motorcycle

All data are subject to modification without prior notice.

Ducati Motor S.p.A.
Uffici Commerciali Amministrativi:
Via A. Cavalieri Ducati n. 3
40132 Bologna, Italy
Telefono 051 641311
Fax 051 406580
Internet www.ducati.com

page

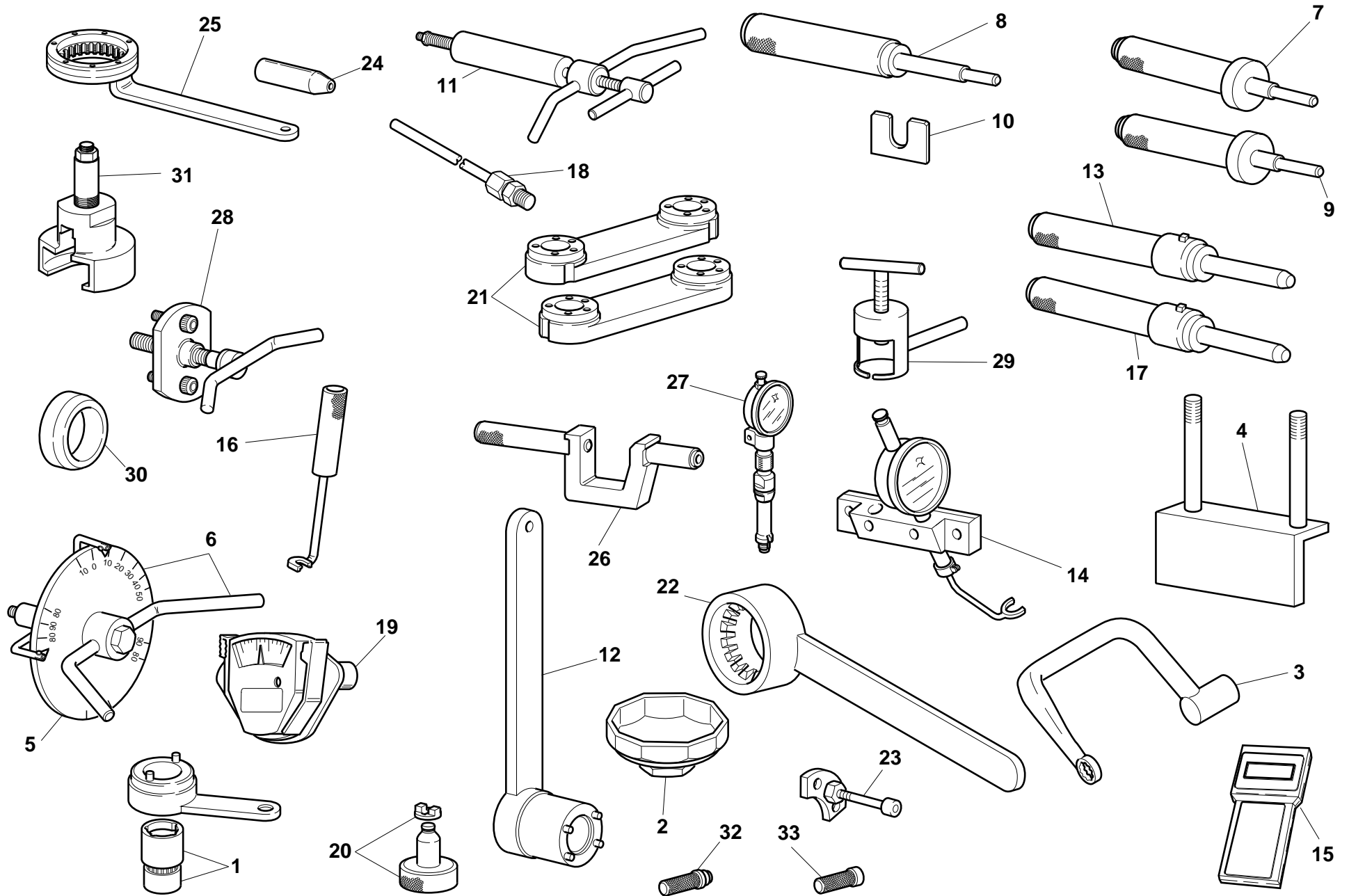
CONTENTS

4	001	WORKSHOP SPECIAL TOOLS
6	001.1	WORKSHOP SPECIAL TOOLS
8	001.2	DIAGNOSIS TESTER MATHESIS
10	002	GEARCHANGE
12	003	GEAR-BOX
14	004	CLUTCH
16	005	CLUTCH COVER
18	006	CRANKSHAFT
20	007	CYLINDERS - PISTONS
22	008	TIMING
24	009	FILTERS AND OIL PUMP
26	010	HALF CRANKCASES
28	011	WATER PUMP - ALTERNATOR COVER
30	012	ELECTRIC STARTER AND IGNITION
32	013	HEAD: TIMING
34	014	HEAD
36	015	COLLECTORS AND HEAD COVERS
38	016	THROTTLE BODY
40	017	ELECTRIC SYSTEM
42	017.1	ELECTRIC SYSTEM
44	018	INJECTION SYSTEM
46	019	EXHAUST SYSTEM
48	020	INSTRUMENT PANEL
50	021	FRONT HEAD-LIGHT
52	022	FRONT FORK
54	022.1	FRONT FORK
56	023	FRAME
58	024	CLUTCH CONTROL
60	025	FRONT HYDRAULIC BRAKE
62	026	REAR HYDRAULIC BRAKE
64	027	FRONT AND REAR WHEELS
66	028	REAR WHEEL PIN
68	029	REAR FRAME-REAR FOOT RESTS
70	030	REAR SUSPENSION
72	031	AIR INDUCTION-OIL VENT
74	032	WATER RADIATOR ASSY
76	033	COOLING CIRCUIT
78	034	FUEL TANK
80	034.1	FUEL TANK
82	035	SEAT
84	036	FAIRING
86	036.1	FAIRING
88	037	OIL COOLER
90	038	FUEL INFEED
92	039	MARKING PLATES

DRAWING


001

WORKSHOP SPECIAL TOOLS

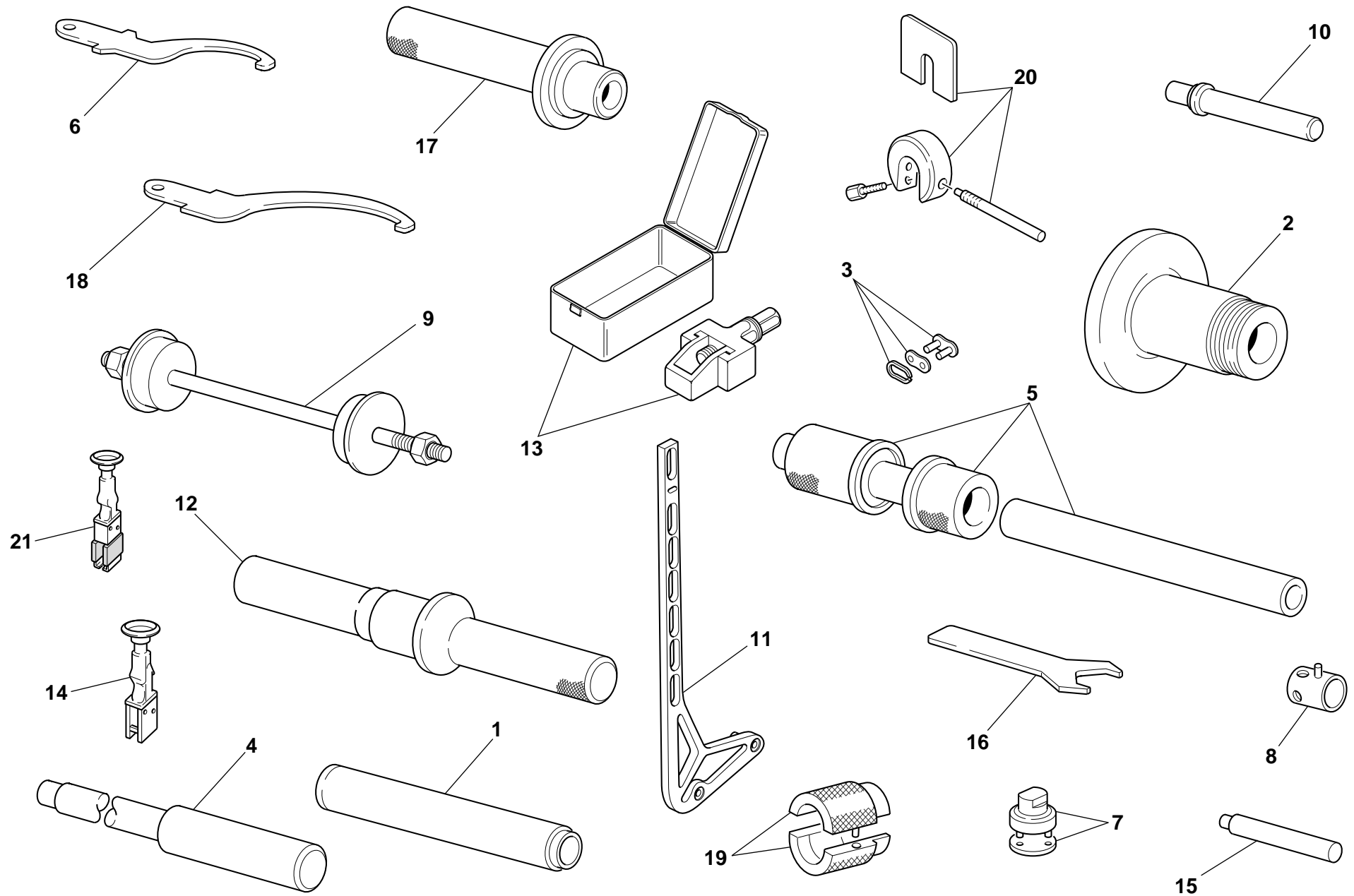


DRAWING **001****WORKSHOP SPECIAL TOOLS**

NOTES	NO.	CODE NO.	DESCRIPTION	VALIDITY	Q.TY	
	1	88700.5644	Timing belt rollers holder wrench		1	
	2	0675.03.210	Wrench for removing oil filter cartridge		1	
	3	88713.1139	Head nuts holder wrench		1	
	4	88713.0891	Head mounting base		1	
	5	98112.0002	Degree wheel		1	
	6	88713.0123	Degree wheel holder tool for ignition advance check		1	
	7	88713.0874	Exhaust valve guide punch tool		1	
	8	88713.0879	Punch tool to extract valve guide		1	
	9	88713.0875	Intake valve guide punch tool		1	
	10	88713.1309	Fork feeler gauge 2,35 mm		1	
	11	88713.0862	Rocker shaft extractor		1	
	12	88713.0137	Crankshaft gear holder wrench for tightening nut		1	
	13	88713.1078	Punch tool for driving exhaust valve seat		1	
	14	88765.1001	Valve lift gauge		1	
	15	88765.1068	Check instrument		1	
GB	15	88765.1069	Check instrument		1	
D	15	88765.1070	Check instrument		1	
F	15	88765.1071	Check instrument		1	
E	15	88765.1072	Check instrument		1	
	16	88713.0844	Half-rings mounting punch tool		1	
	17	88713.1079	Punch tool for driving intake valve seat		1	
	18	88713.1010	Union for exhaust gas suction		1	
	19	051.2.001.1A	Torque wrench for timing belt		1	
	20	88765.0978	Gauge for measuring half ring shims		1	
	21	88713.0847	Camshaft stroke checking tool		1	
	22	88713.1419	Alternator holder wrench for tightening nut		1	

NOTES	NO.	CODE NO.	DESCRIPTION	VALIDITY	Q.TY	
	23	88713.1091	Plate for positioning gear engagement fork		1	
	24	88700.5749	Crankcases assembling cap		1	
	25	88713.0146	Frame-engine grounding cable		1	
	26	88713.1093	Seal ring driving tool		1	
	27	88765.0968	T.D.C. control gauge		1	
	28	88713.0144	Extractor for removal of chain/generator cover		1	
	29	88713.1332	Extractor bushing bearing inner ring		1	
	30	88700.5665	Sleeve for installing clutch bell gear		1	
	31	88713.1502	Extractor for primary drive gear		1	
	32	88713.0869	Tool for assembling water pump front seal		1	
	33	88713.0870	Tool for assembling water pump front seal		1	

DRAWING **001.1** WORKSHOP SPECIAL TOOLS



DRAWING **001.1** WORKSHOP SPECIAL TOOLS

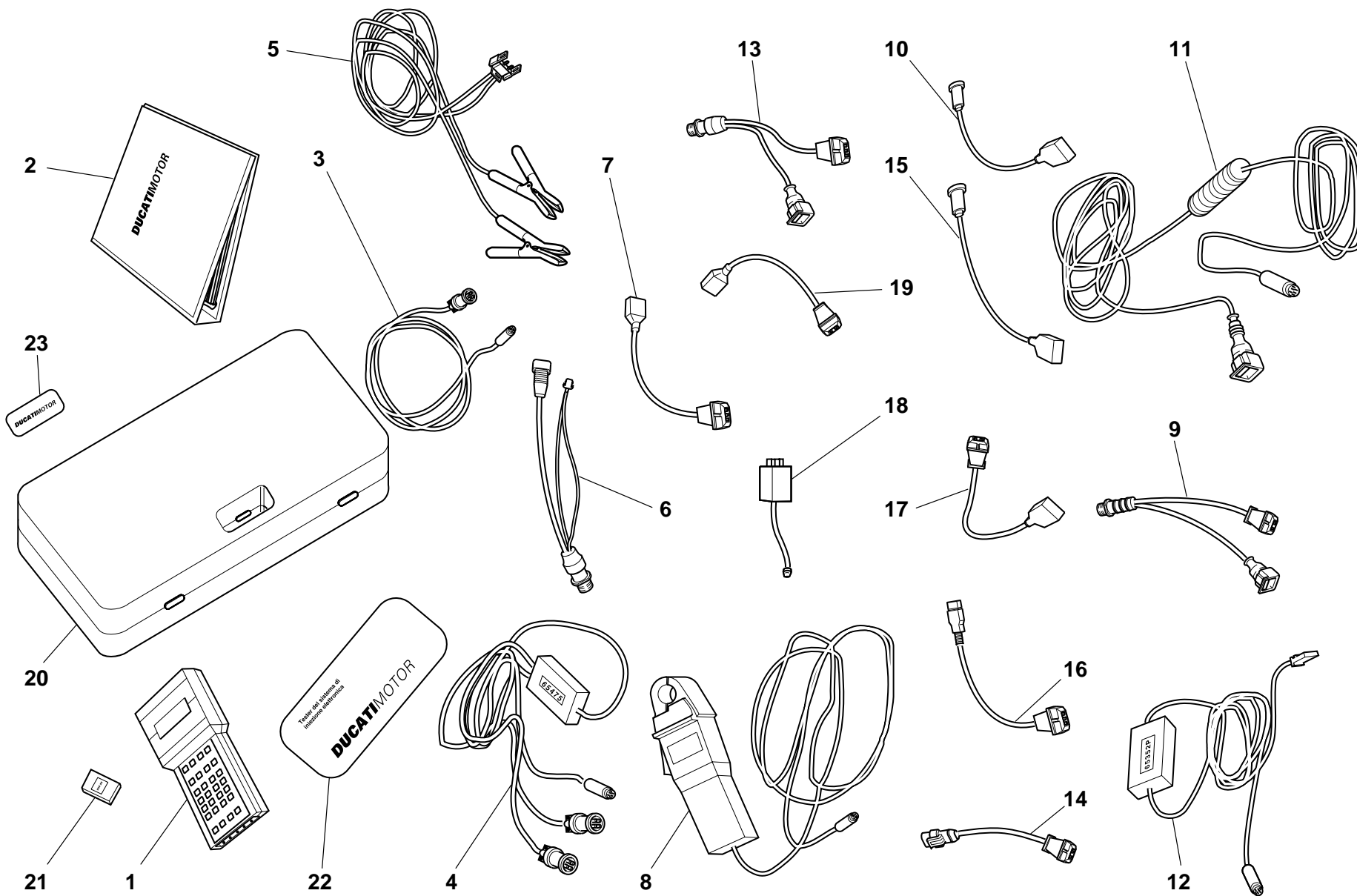
NOTES	NO.	CODE NO.	DESCRIPTION	VALIDITY	Q.TY	
	1	88713.1072	Stopper for driving the half bearing of the steering head base		1	
	2	88713.1073	Tool for balancing rear wheel		1	
	3	677.4.003.1A	Coupling		1	
	4	88713.1074	Stopper for disassembling the swingarm pivot		1	
	5	88713.1059	Tool for assembling the swingarm ball bearings		1	
	6	88713.1037	Wrench for adjusting the steering head		1	
	7	88713.1058	Wrench for assembling the steering head cap		1	
	8	8000.70139	Wrench for front wheel spindle		1	
	9	88713.1062	Tool for assembling the steering head bearings		1	
	10	88713.1071	Stopper for assembling the rocker needle bearings		1	
	11	699.2.063.1A	Geometry adjustment kit		1	
	12	88713.1067	Stopper for assembling the roller bearings of the eccentric hub		1	
	13	88713.1344	Tool for assembling chain		1	
	14	88713.1140	EPROM chip introducing		1	
	15	88713.1057	Stopper for inserting the steering damper bearing		1	
	16	88713.1077	Wrench for seat lock nut		1	
	17	88713.1068	Stopper for assembling the rear fork roller bearings		1	
	18	88713.1038	Wrench for adjusting the eccentric hub		1	
	19	88713.1096	Tool for overhauling SHOWA forks - assembling seal ring		1	
	20	88713.0957	Tool for holding SHOWA fork spacer		1	
	21	88713.1097	EPROM extractor		1	

NOTES	NO.	CODE NO.	DESCRIPTION	VALIDITY	Q.TY	
-------	-----	----------	-------------	----------	------	---

DRAWING

001.2


DIAGNOSIS TESTER MATHESIS




DRAWING

001.2

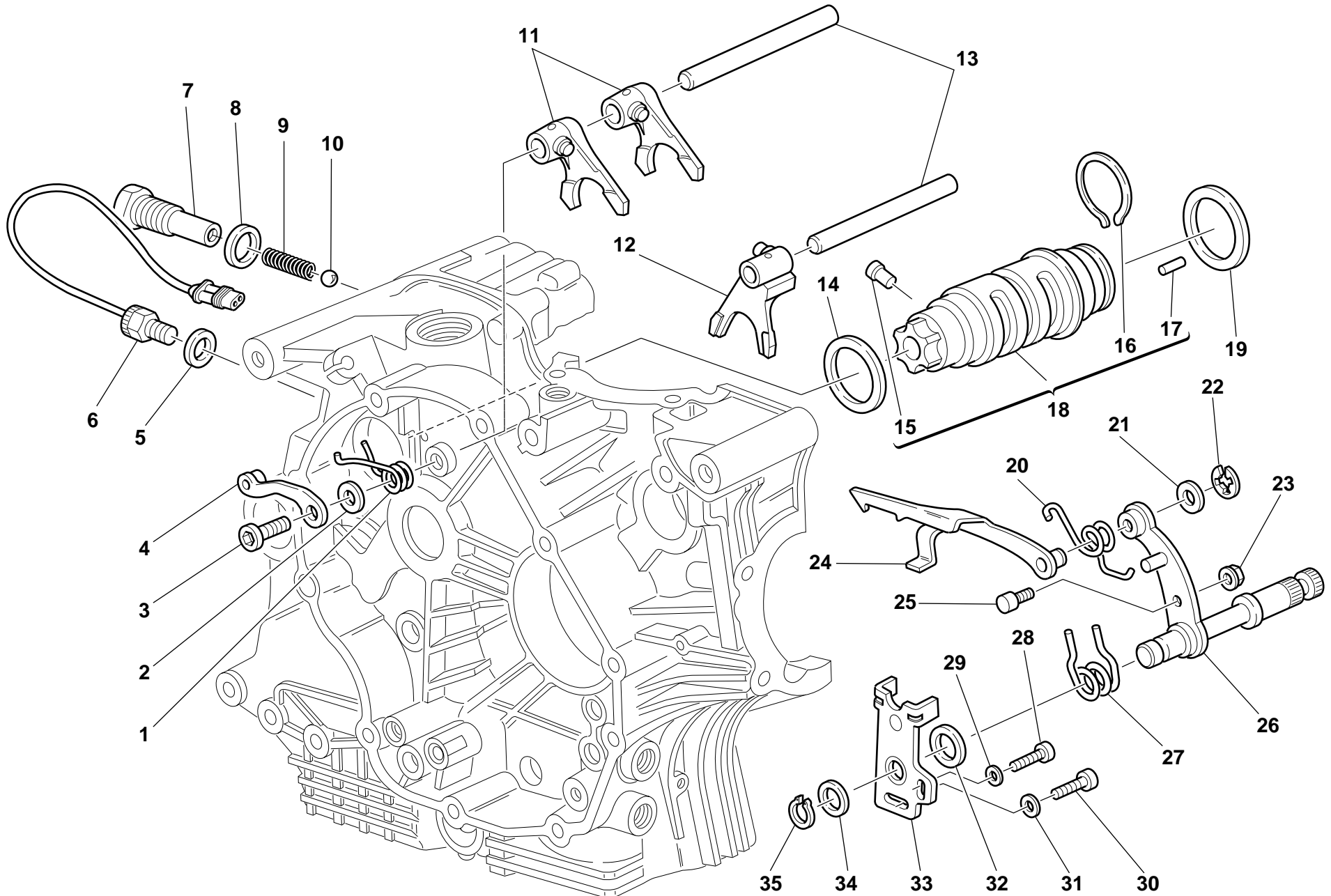
DIAGNOSIS TESTER MATHESIS

NOTES	NO.	CODE NO.	DESCRIPTION	VALIDITY	Q.TY	
	1	88765.1126Z	Bare Mathesis		1	
	2	914.7.023.1A	Italian manual		1	
	2	914.7.023.1B	English manual		1	
	2	914.7.023.1C	German manual		1	
	2	914.7.023.1D	Franch manual		1	
	2	914.7.023.1E	Spanish manual		1	
	3	88765.1126R	Main cable Mathesis		1	
	4	88765.1126A	Pickup Control cable		1	
	5	88765.1126Q	Battery mains cable		1	
	6	88765.1126	Mains cable adapter for self diagnosis		1	
	7	88765.1126N	Sensor for absolute pressure sampling		1	
	8	88765.1126V	Amperometer plier		1	
	9	88765.1126E	Adapter for 3 wires Pickup test cable		1	
	10	88765.1126P	Sensor for air temperature sampling		1	
	11	88765.1126C	Cable for potentiometer adjustment		1	
	12	88765.1126B	Test cable and speed indicator adjustment		1	
	13	88765.1126F	Adapter for 2 wires Pickup test cable		1	
	14	88765.1126D	Adapter for potentiometer adjustment		1	
	15	552.4.028.1A	Sensor for small throttle potentiometer sampling		1	
	16	88765.1126H	Sensor for throttle potentiomer sampling		1	
	17	88765.1126G	Sensor for air/water temperature sampling		1	
	18	88765.1126M	Sfety remote switch		1	
	19	88765.1126L	2 Wires sampling Pickup sensor		1	
	20	88765.1126U	Case with sponge		1	
	21	88765.1073	Italian memory card		1	
	21	88765.1074	English memory card		1	

NOTES	NO.	CODE NO.	DESCRIPTION	VALIDITY	Q.TY	
	21	88765.1075	German memory card		1	
	21	88765.1076	French memory card		1	
	21	88765.1077	Spanish memory card		1	
	22	88765.1126S	DUCATI sticker for case		1	
	23	88765.1126T	DUCATI sticker RH/LH side		1	


CATALOGUE No:
ISSUED:915.1.096.1C
05 - 00CATALOGUE No:
ISSUED:915.1.096.1C
05 - 00

DRAWING **002** GEARCHANGE

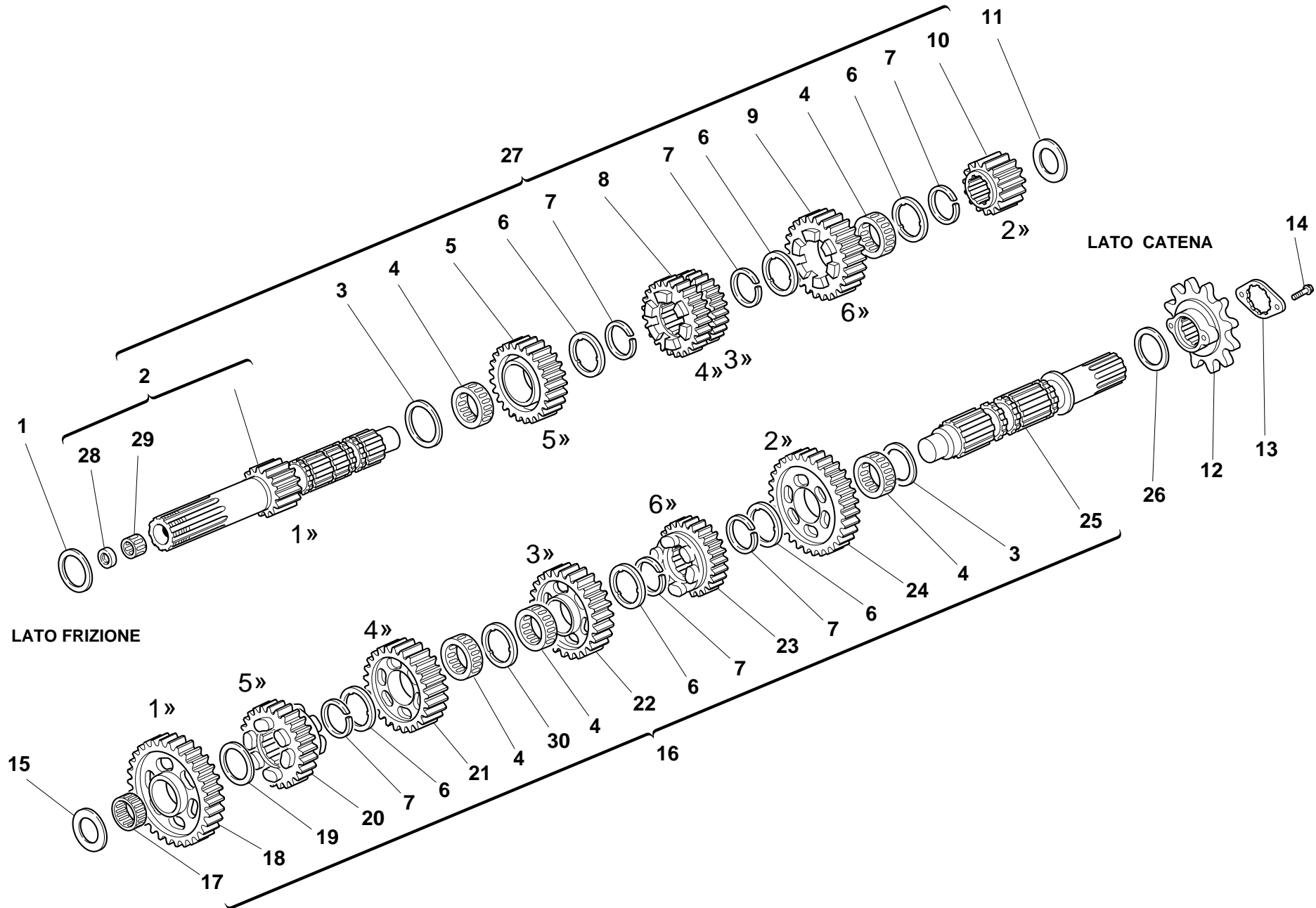


DRAWING **002** GEARCHANGE

NOTES	NO.	CODE NO.	DESCRIPTION	VALIDITY	Q.TY	
	1	799.1.049.1A	Return spring		1	
	2	852.1.053.1A	Washer		1	
	3	779.1.039.1A	Special screw		1	
	4	455.2.003.1A	Gear stopper assembly		1	
	5	0150.92.280	Gasket th.2		1	
	5	0504.03.085	Gasket th.1,5		1	
	5	420.2.000.8A	Copper gasket		1	
	5	852.1.111.1A	Gasket th.0.5		1	
	6	539.4.020.1A	Switch		1	
	7	0660.13.133	Push rod holder		1	
	8	0272.91.090	Gasket		1	
	9	0660.13.143	Gear selector spring		1	
	10	76835.1134	Ball		1	
	11	180.1.001.1A	1st,4th-2nd,3rd gear selector fork		2	
	12	180.1.002.1A	5th,6th gear selector fork		1	
	13	0660.13.070	Fork pin		2	
	14	852.1.005.1A	Shim th. 1		1	
	15	0660.13.045	Neutral light operating pin		1	
	16	882.1.006.1A	Needle retaining ring (square cross-section)		1	
	17	821.1.070.1A	Special roller (square cross-section)		6	
	18	182.2.006.2B	Complete gearbox drum		1	
	19	0660.13.060	Shim th. 1		1	
	20	799.1.025.1A	Fork return spring		1	
	21	0400.09.050	Shim th. 0.5		1	
	21	0765.92.205	Shim th. 0.2		2	
	22	0214.07.350	Ring		1	

NOTES	NO.	CODE NO.	DESCRIPTION	VALIDITY	Q.TY	
	23	750.5.001.1A	Nut		1	
	24	180.1.008.1A	Gearbox drum control fork		1	
	25	0660.13.165	Gearchange lever pin		1	
	26	821.1.001.1A	Pin with gearchange lever		1	
	27	0799.13.110	Gearchange lever return spring		1	
	28	60N102509	Screw		1	
	29	462.3.003.8A	Washer		1	
	30	771.5.122.2B	Screw		1	
	31	462.3.003.7A	Washer		1	
	32	881.1.012.1A	Centering ring		1	
	33	826.1.009.1A	Stopper plate		1	
	34	0400.29.125	Shim th. 0.2		2	
	34	0400.29.126	Shim th. 0.5		1	
	35	73500.1542	Circlip		1	


DRAWING 003 GEAR-BOX



DRAWING **003** GEAR-BOX

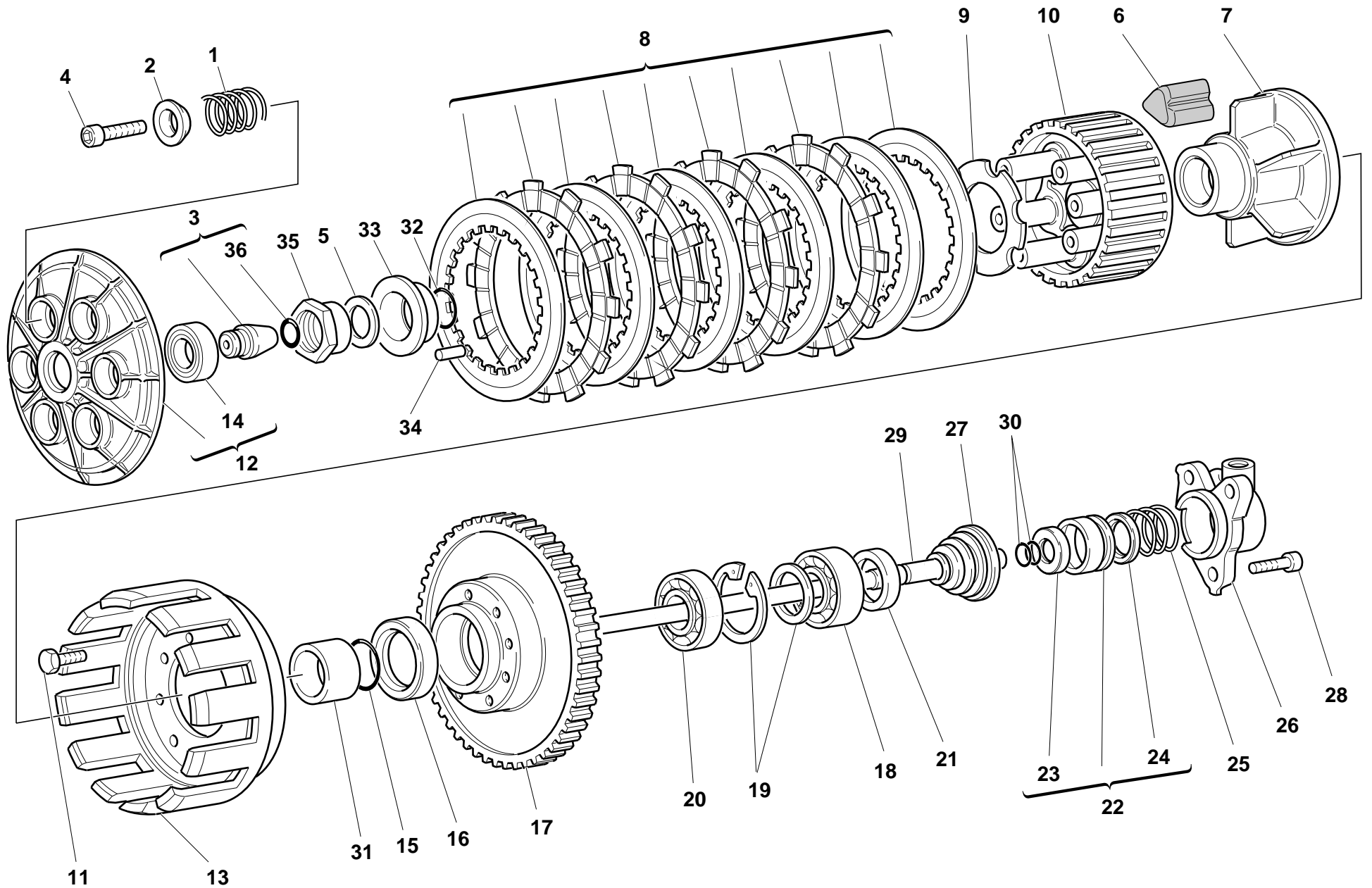
NOTES	NO.	CODE NO.	DESCRIPTION	VALIDITY	Q.TY	
	1	0251.47.050	Shim th. 1		1	
	1	0251.47.054	Shim th. 1.2		1	
	1	852.1.108.1AH	Shim th. 0.9		1	
	1	852.1.108.1AL	Shim th. 1,1		1	
	1	852.1.108.1AN	Shim th. 1,3		1	
	2	150.2.006.1A	Gearbox main shaft		1	
	3	0670.16.150	Shim th. 0.5		1	
	4	701.4.005.1A	Needle bearing		5	
	5	172.1.004.1A	Driving gear 5th sp.		1	
	6	856.1.001.1A	Grooved washer th. 0.5		6	
	7	0670.16.145	Snap ring		6	
	8	172.1.003.1A	Driving gear 3rd/4th sp.		1	
	9	172.1.005.1A	Driving gear 6th sp.		1	
	10	172.1.002.1B	Driving gear 2nd sp.		1	
	11	0670.16.163	Shim th. 1.8		1	
	11	0670.16.164	Shim th. 2		1	
	11	713.1.014.1A	Shim th. 1.5		1	
	11	713.1.014.1B	Shim th. 1.7		1	
	11	713.1.014.1E	Shim th. 1.6		1	
	11	713.1.014.1F	Shim th. 1.9		1	
	12	449.1.027.1A	Chain sprocket Z=15		1	
	13	826.1.011.1A	Sprocket keep plate		1	
	14	8A00.67997	Screw		2	
	15	0670.16.164	Shim th. 2		1	
	15	0670.16.165	Shim th. 2.2		1	
	15	0670.16.184	Shim th. 1		1	

CATALOGUE No:
ISSUED:*915.1.096.1C*
05 - 00

NOTES	NO.	CODE NO.	DESCRIPTION	VALIDITY	Q.TY	
	15	0670.16.185	Shim th. 1.2		1	
	15	713.1.011.1A	Shim th. 2.3		1	
	15	713.1.014.1A	Shim th. 1.5		1	
	15	713.1.014.1E	Shim th. 1.6		1	
	16	150.2.035.1A	Complete lay shaft		1	
	17	76402.0002	Needle bearing		1	
	18	172.1.006.1B	Driven gear 1st sp.		1	
	19	0670.16.150	Shim th. 0.5		1	
	20	172.1.010.1A	Driven gear 5th sp.		1	
	21	172.1.009.1A	Driven gear 4th sp.		1	
	22	172.1.008.1A	Driven gear 3rd sp.		1	
	23	172.1.011.1A	Driven gear 6th sp.		1	
	24	172.1.007.1B	Driven gear 2nd sp.		1	
	25	149.1.024.1A	Gearbox lay shaft		1	
	26	0670.16.170	Shim th. 0.8		1	
	26	0670.16.171	Shim th. 1		1	
	26	852.1.105.1AB	Shim th. 0.9		1	
	26	852.1.105.1AD	Shim th. 1,1		1	
	26	852.1.105.1AG	Shim th. 0.7		1	
	27	150.2.005.1A	Complete main shaft		1	
	28	93783.0812	Seal ring		1	
	29	76270.0827	Needle bearing		1	
	30	856.1.031.1A	Grooved washer th. 0.5		1	


CATALOGUE No:
ISSUED:*915.1.096.1C*
05 - 00

DRAWING 004 CLUTCH

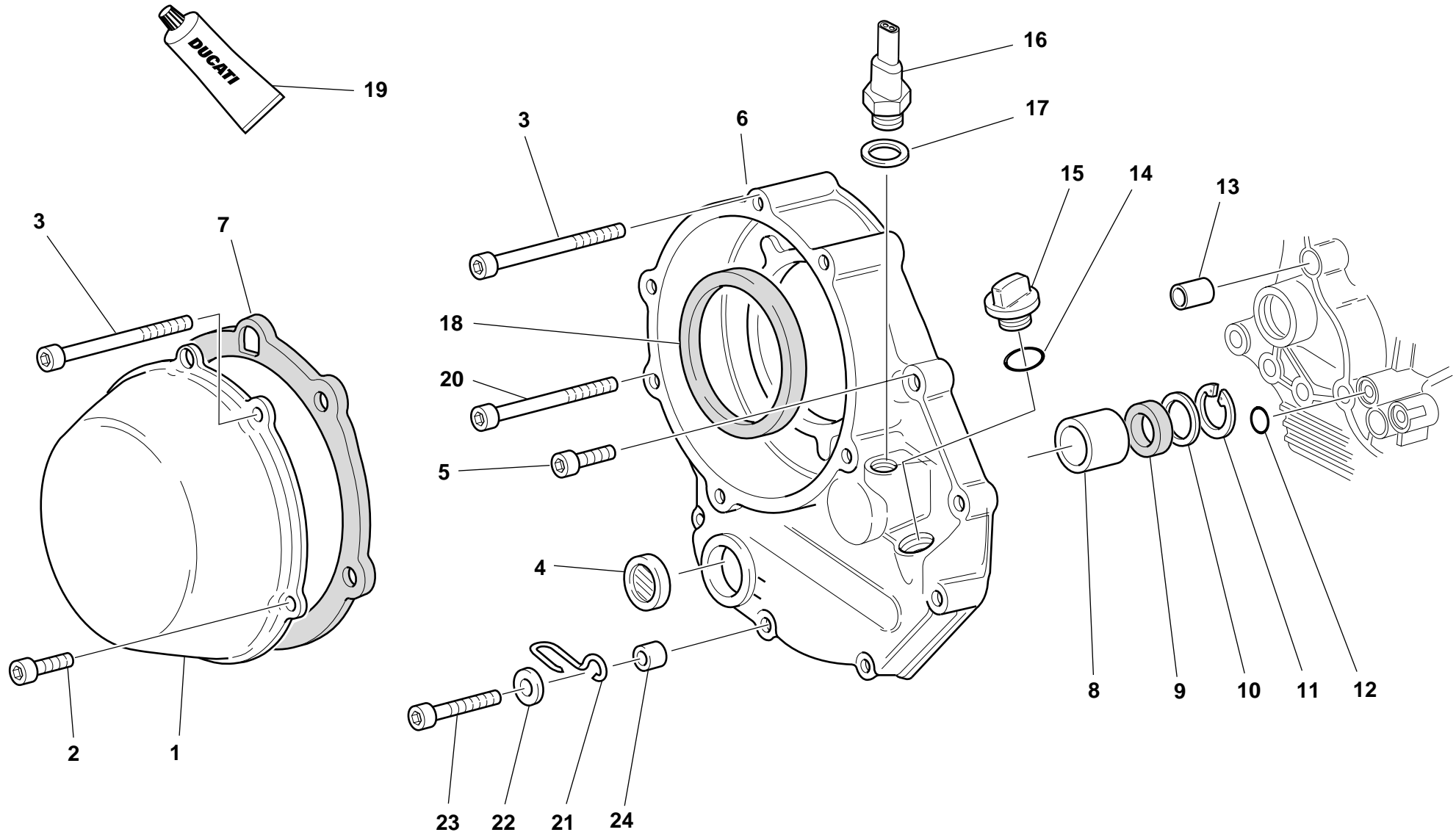


DRAWING **004** CLUTCH

NOTES	NO.	CODE NO.	DESCRIPTION	VALIDITY	Q.TY	
	1	0659.16.555	Clutch spring		6	
	2	841.1.002.2A	Retainer		6	
	3	818.2.009.1A	Clutch control pin		1	
	4	771.5.043.2B	Screw		6	
	5	851.4.001.1A	Lock washer		1	
	6	764.1.003.1B	Rubber pad		12	
	7	162.1.001.1B	Plate holder hub		1	
	8	190.2.001.3A	Clutch plates set		1	
	9	851.1.001.1B	Lock washer		1	
	10	196.1.001.1B	Clutch drum		1	
	11	70610.8120	Screw		8	
	12	194.2.001.1A	Pressure plate		1	
	13	198.1.027.1A	Clutch housing		1	
	14	702.5.016.1A	Bearing		1	
	15	463.2.053.7A	O-ring		1	
	16	463.4.026.9A	Seal ring		1	
	17	170.2.020.2A	Clutch/crankshaft gears pair		1	
	18	463.7.022.6A	Bearing		1	
	19	881.2.001.1A	Circlip - spacer		1	
	20	75113.2566	Bearing		1	
	21	0660.16.145	Spacer		1	
	22	195.2.002.1B	Piston assembly		1	
	23	93785.0822	Seal ring		1	
	24	930.4.009.1A	Seal ring		1	
	25	799.1.012.1A	Spring		1	
	26	236.1.010.3A	Clutch cap		1	

NOTES	NO.	CODE NO.	DESCRIPTION	VALIDITY	Q.TY	
	27	672.1.006.1A	Rod protection cover		1	
	28	60N107335	Screw		3	
	29	117.1.001.2A	Clutch control rod		1	
	30	93823.2018	O-ring		2	
	31	713.1.012.1B	Spacer		1	
	32	93823.0128	O-ring		1	
	33	710.1.002.1A	Bush		1	
	34	74224.0570	Pin		1	
	35	750.1.002.1B	Nut		1	
	36	0400.17.030	O-ring		1	

DRAWING **005** CLUTCH COVER



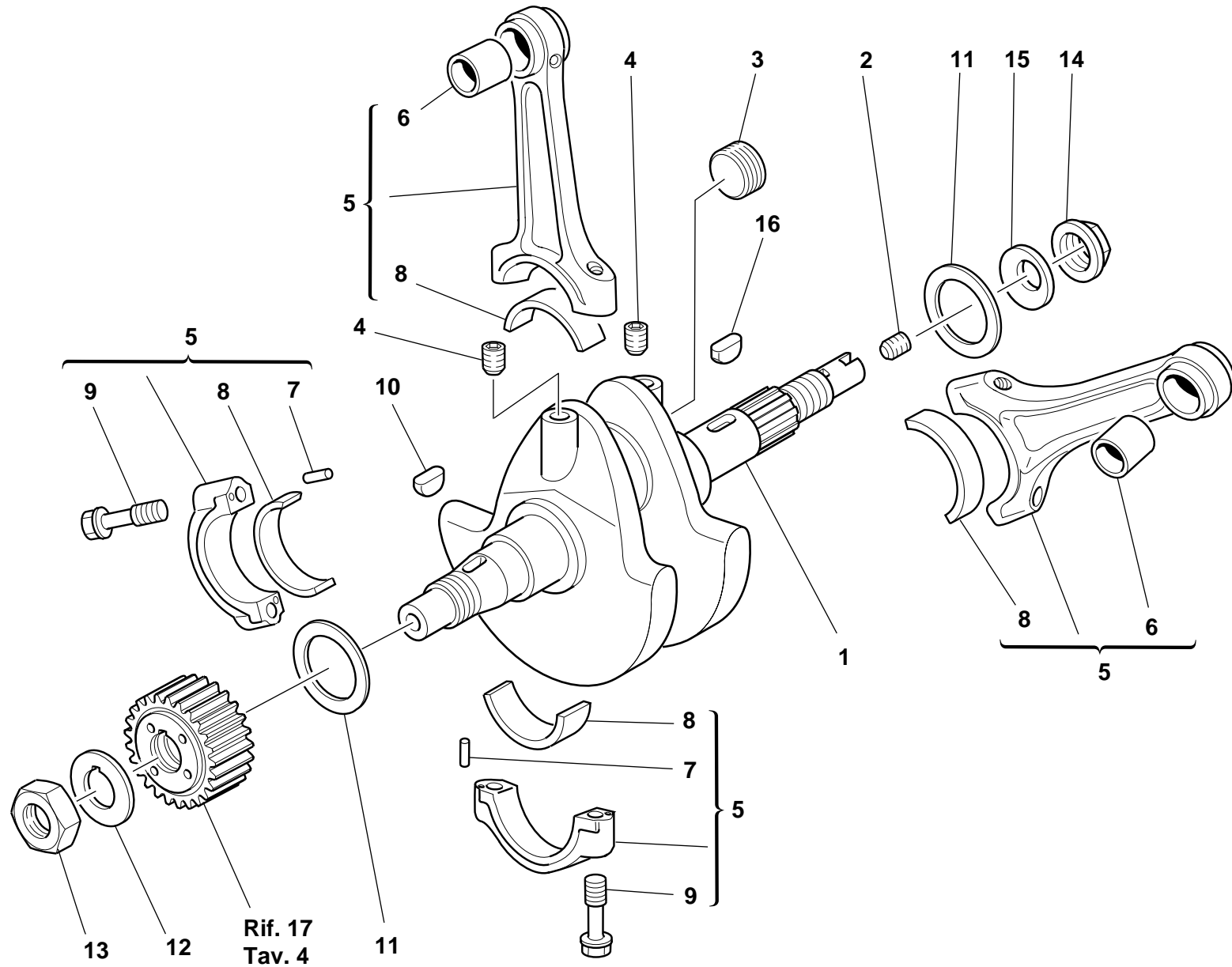
DRAWING **005** CLUTCH COVER

NOTES	NO.	CODE NO.	DESCRIPTION	VALIDITY	Q.TY	
	1	243.1.025.1AC	Clutch protection cover		1	
	2	60N102509	Screw		2	
	3	771.5.078.2B	Screw		2	
	4	254.4.001.1A	Oil level inspection cap		1	
	5	60N102510	Screw		5	
	6	243.2.004.1AC	Cover clutch side (GREY)		1	
	7	788.1.052.1A	Cover gasket		1	
	8	0665.49.680	Bush		1	
	9	93784.2030	Seal ring		1	
	10	852.1.008.1A	Shim th. 0.5		1	
	11	73503.3075	Circlip		1	
	12	93827.0114	O-ring		1	
	13	0400.49.240	Locating bush		1	
	14	93823.2082	O-ring		1	
	15	893.1.005.1A	Cap		1	
	16	539.4.008.1D	Switch		1	
	17	0150.70.120	Gasket		1	
	18	463.4.047.7A	Ring		1	
	19	94247.0014	Fluid sealant		1	
	20	417.6.075.9A	Screw		1	
	21	829.1.073.3A	Holder		1	
	22	734306N01	Washer		2	
	23	771.5.072.2B	Screw		1	
	24	0675.49.540	Spacer		2	

NOTES	NO.	CODE NO.	DESCRIPTION	VALIDITY	Q.TY	
-------	-----	----------	-------------	----------	------	---


DRAWING 006

CRANKSHAFT

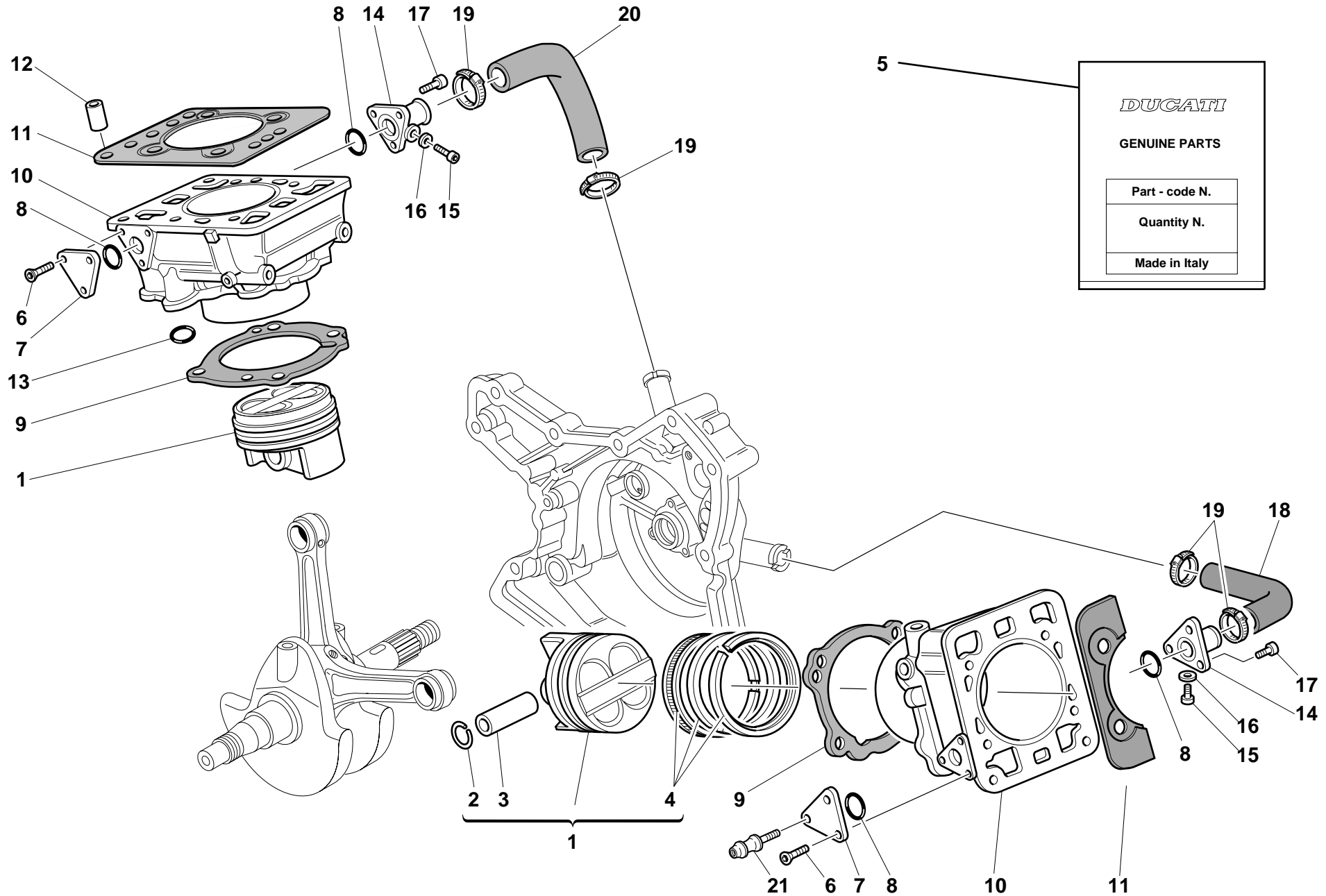


DRAWING **006** **CRANKSHAFT**


NOTES	NO.	CODE NO.	DESCRIPTION	VALIDITY	Q.TY	
	1	146.2.018.1A	Crankshaft (items 2-3-4 included)		1	
	2	779.1.109.1A	Special screw		1	
	3	780.1.016.1A	Cap		1	
	4	72121.2106	Threaded dowel		2	
	5	158.2.009.1A	Connecting rods pair (6-7-8 included)		1	
	6	711.1.089.1A	Bush		2	
	7	74224.0570	Pin		4	
	8	112.1.007.2BA	Half-bearing (RED)		4	
	8	112.1.007.2BB	Half-bearing (BLUE)		4	
	9	779.1.007.2A	Special screw		4	
	10	0755.29.025	Woodruff key		1	
	11	852.1.104.1A	Shim th. 1.9		1	
	11	852.1.104.1B	Shim th. 1.95		1	
	11	852.1.104.1C	Shim th. 2		1	
	11	852.1.104.1D	Shim th. 2,05		1	
	11	852.1.104.1E	Shim th. 2,1		1	
	11	852.1.104.1F	Shim th. 2,15		1	
	11	852.1.104.1G	Shim th. 2.2		1	
	11	852.1.104.1H	Shim th. 2.25		1	
	11	852.1.104.1I	Shim th. 2.3		1	
	11	852.1.104.1J	Shim th. 2.35		1	
	11	852.1.104.1K	Shim th. 2.4		1	
	11	852.1.104.1L	Shim th. 2,45		1	
	11	852.1.104.1M	Shim th. 2.5		1	
	11	852.1.104.1N	Shim th. 2.55		1	
	12	0619.47.030	Lock washer		1	

NOTES	NO.	CODE NO.	DESCRIPTION	VALIDITY	Q.TY	
	13	0660.47.040	Nut		1	
	14	750.1.012.2A	Nut		1	
	15	799.1.051.2A	Spring washer		1	
	16	74172.1008	Woodruff key		1	

DRAWING **007** CYLINDERS - PISTONS



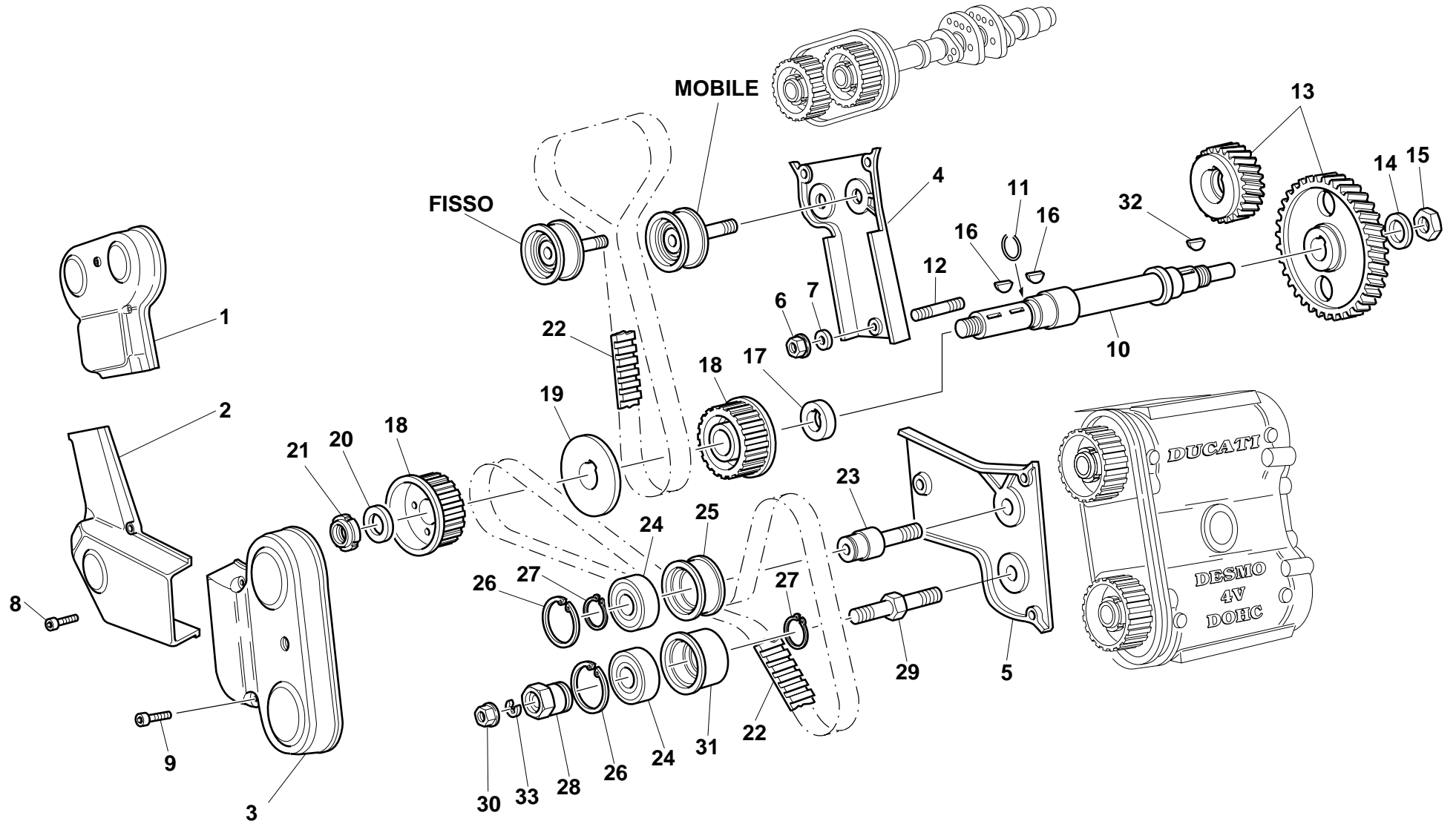
DRAWING **007** CYLINDERS - PISTONS

NOTES	NO.	CODE NO.	DESCRIPTION	VALIDITY	Q.TY	
	1	122.2.048.1A	Complete piston		2	
	2	121.1.048.1A	Piston pin circlip		4	
	3	121.1.047.1A	Piston pin		2	
	4	121.2.028.1A	Piston rings set		2	
	5	791.2.013.1A	Gaskets set		1	
	6	70780.6516	Screw		5	
	7	247.1.020.1AA	Cover		2	
	8	93823.2087	O-ring		4	
	9	786.1.041.1D	Cylinder-crankcase gasket th. 0.6		2	
	10	120.2.053.3A	Cylinder-piston fit		2	
	11	786.1.048.1A	Head-cylinder gasket		2	
	12	0619.49.240	Bush		4	
	13	93823.2037	O-ring		1	
	14	814.1.002.1AA	Water inlet union to cylinders		2	
	15	60N102504	Screw		2	
	16	420.2.000.7A	Copper gasket		2	
	17	60N107335	Screw		6	
	18	800.1.008.1A	Horizontal cylinder water inlet hose		1	
	19	741.4.002.1A	Clamp		4	
	20	800.1.007.1A	Vertical cylinder water inlet hose		1	
	21	779.1.084.1A	Special screw		1	

NOTES	NO.	CODE NO.	DESCRIPTION	VALIDITY	Q.TY	
-------	-----	----------	-------------	----------	------	---


DRAWING 008

TIMING

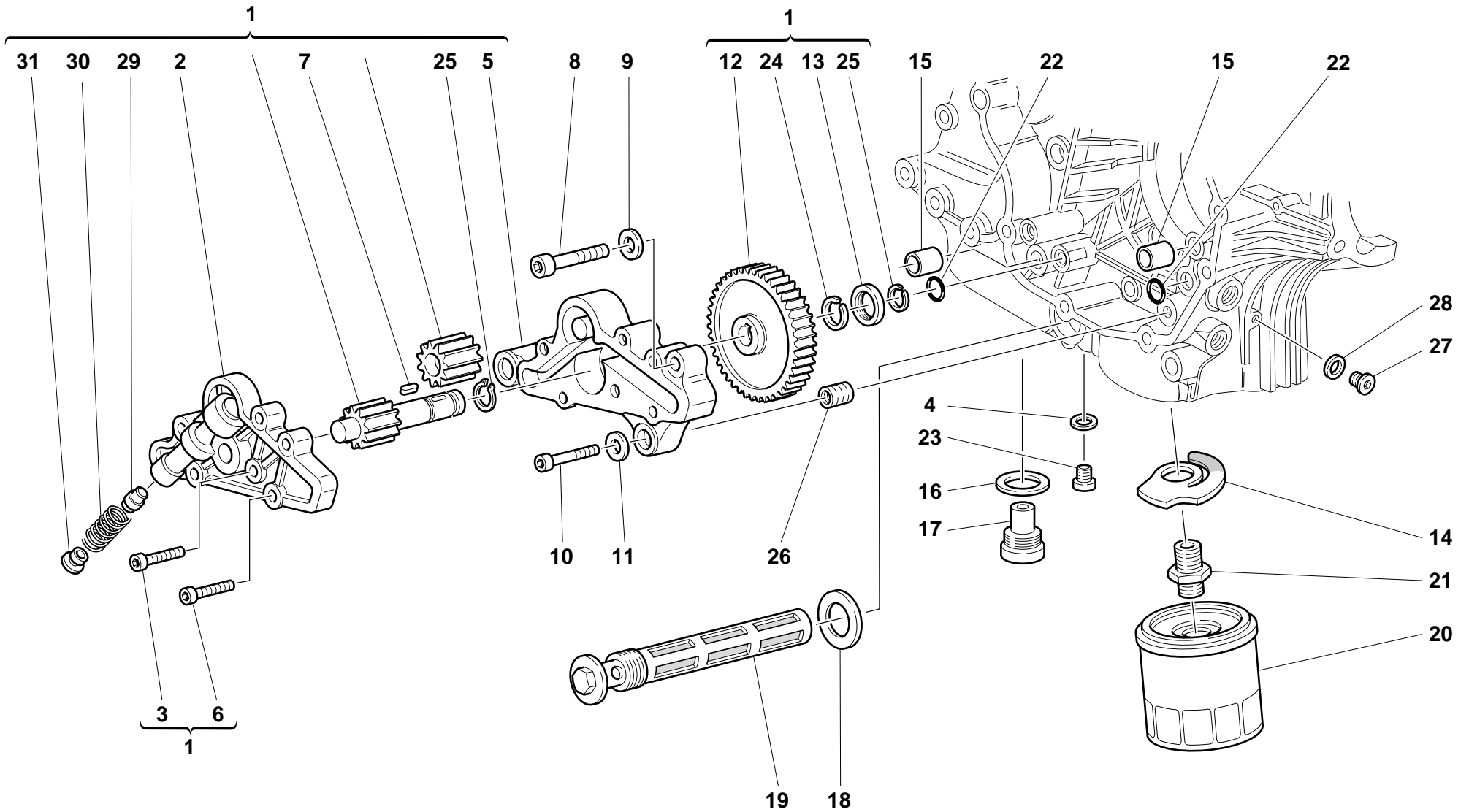


DRAWING **008** TIMING

NOTES	NO.	CODE NO.	DESCRIPTION	VALIDITY	Q.TY	
	1	245.1.004.1BA	Vertical belt outer cover		1	
	2	245.1.003.1BA	Outer central cover		1	
	3	245.1.005.1BA	Horizontal belt outer cover		1	
	4	245.1.001.2A	Vertical belt inner cover		1	
	5	245.1.002.2A	Horizontal belt inner cover		1	
	6	8000.44240	Nut		2	
	7	462.3.003.8A	Washer		2	
	8	60N102510	Screw		3	
	9	60N102511	Screw		6	
	10	147.1.014.1A	Timing lay shaft		1	
	11	882.1.003.1A	Snap ring		1	
	12	70555.1631	Stud bolt		2	
	13	171.2.021.1A	Timing gears pair		1	
	14	0400.29.040	Lock washer		1	
	15	0124.40.060	Hexagon nut		1	
	16	680.1.003.1B	Woodruff key plate 4°		2	
	17	713.1.008.2A	Spacer		1	
	18	255.1.004.1A	Timing belt roller		2	
	19	856.1.002.1A	Belt roller separating washer		1	
	20	0797.69.040	Washer		1	
	21	72944.1542	Elastic-stop ring nut		1	
	22	737.4.011.1B	Timing drive toothed belt		2	
	23	451.1.004.2A	Fixed tensioner roller pin		2	
	24	702.5.001.1A	Bearing		4	
	25	451.1.016.1A	Fixed tensioner bush		2	
	26	73503.3380	Circlip		4	


NOTES	NO.	CODE NO.	DESCRIPTION	VALIDITY	Q.TY	
	27	73500.1747	Snap ring		2	
	28	451.1.002.1A	Tensioner eccentric		2	
	29	451.1.001.2A	Movable tensioner roller pin (Horizontal cylinder)		2	
	30	729908FN1	Nut		2	
	31	451.1.007.1A	Movable tensioner roller bush		2	
	32	0755.29.025	Woodruff key		1	
	33	462.4.037.8A	Spring washer		2	

DRAWING 009 FILTERS AND OIL PUMP

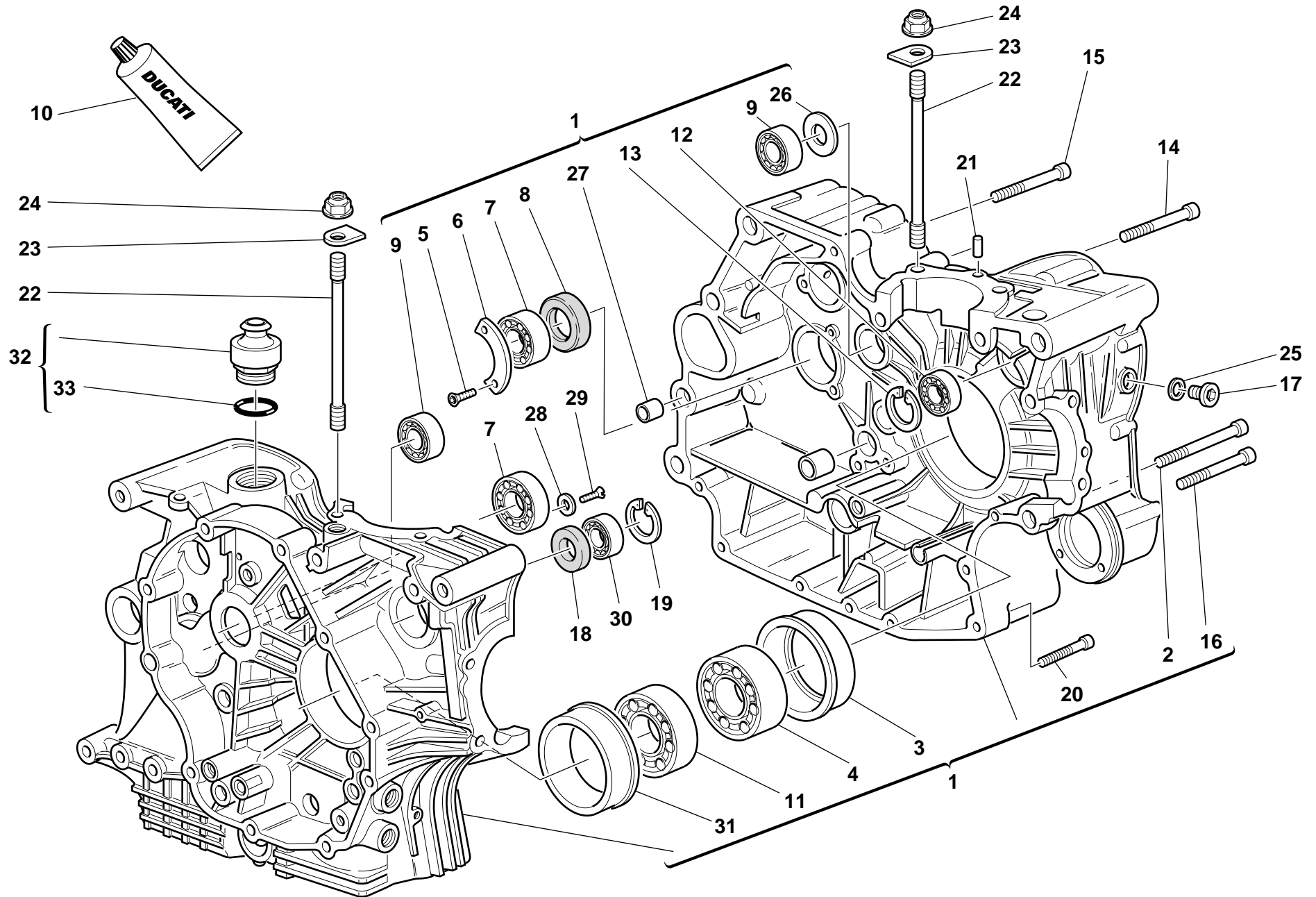


DRAWING **009** **FILTERS AND OIL PUMP**

NOTES	NO.	CODE NO.	DESCRIPTION	VALIDITY	Q.TY	
	1	174.2.025.1A	Complete oil pump		1	
	2	247.1.104.1A	Pump cover		1	
	3	779.5.005.1A	Screw		3	
	4	420.2.006.2A	Aluminium gasket		1	
	5	250.2.030.2A	Pump body		1	
	6	779.5.001.1A	Screw		3	
	7	680.1.001.1B	Woodruff key		1	
	8	60N102511	Screw		1	
	9	462.4.037.6A	Spring washer		1	
	10	771.5.129.2B	Screw		2	
	11	462.4.037.8A	Spring washer		2	
	12	174.1.025.1A	Pump drive gear		1	
	13	710.1.001.1A	Bush		1	
	14	799.2.077.1A	Bypass spring		1	
	15	0759.49.280	Locating bush		2	
	16	220.3.208.3A	Gasket		1	
	17	0660.49.053	Oil drain plug with magnet		1	
	18	787.1.009.1A	Gasket th.2		1	
	19	0660.49.800	Oil filter		1	
	20	0905.49.960	Oil filter cartridge		1	
	21	0670.49.910	Nipple		1	
	22	93827.0114	O-ring		2	
	23	779.1.026.1A	Screw		1	
	24	76267.0012	Snap ring		1	
	25	73500.1237	Circlip		2	
	26	0670.49.310	Reduction bush		1	


NOTES	NO.	CODE NO.	DESCRIPTION	VALIDITY	Q.TY	
	27	779.1.162.1A	Cap		1	
	28	0150.70.120	Gasket		1	
	29	593.1.018.1A	Bypass valve		1	
	30	799.1.055.1A	Bypass spring		1	
	31	780.1.006.1A	Bypass cap		1	

DRAWING **010** HALF CRANKCASES



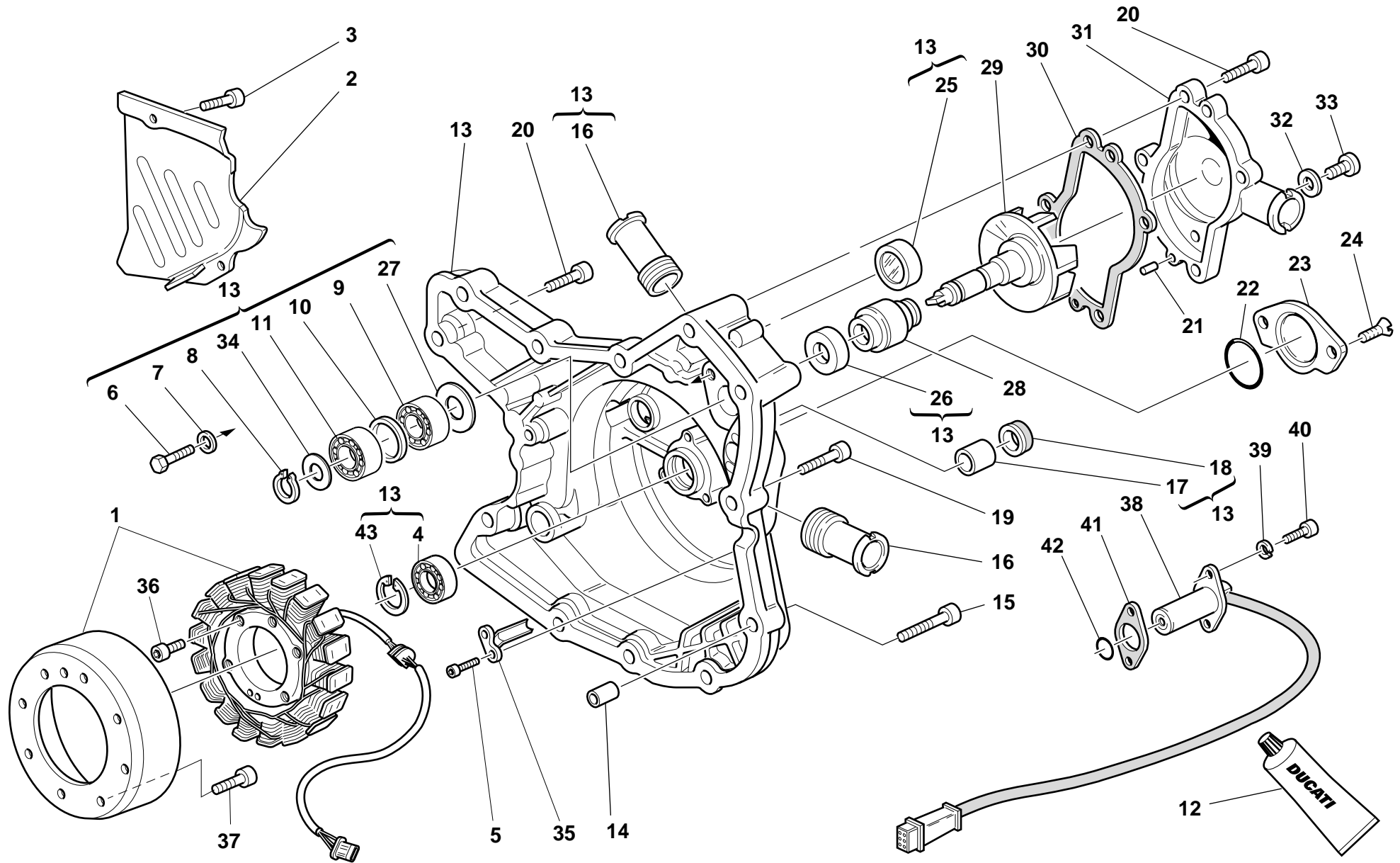
DRAWING **010** HALF CRANKCASES

NOTES	NO.	CODE NO.	DESCRIPTION	VALIDITY	Q.TY	
	1	225.2.040.2B	Complete half-crankcases pair		1	
	2	70620.8090	Screw		2	
	3	710.1.062.1A	Bearing holder bush		1	
	4	75191.3380	Bearing		1	
	5	72094.1616	Screw		2	
	6	826.1.003.1A	Keep plate		1	
	7	75130.2566	Bearing		2	
	8	93783.2552	Seal ring		1	
	9	75791.1747	Bearing		1	
	10	94247.0014	Fluid sealant		1	
	11	75143.3380	Bearing		1	
	12	702.5.008.1A	Bearing		1	
	13	73503.3380	Circlip		1	
	14	779.1.174.1A	Screw		2	
	15	771.5.136.2B	Screw		2	
	16	771.5.080.2B	Screw		2	
	17	779.1.026.1A	Screw		1	
	18	93785.1830	Seal ring		1	
	19	73503.3380	Circlip		1	
	20	771.5.072.2B	Screw		7	
	21	0011.52.010	Locating dowel		2	
	22	766.1.001.2B	Stud bolt for fastening head cylinder		4	
	23	856.1.025.1A	Special washer		8	
	24	0670.92.010	Nut		8	
	25	420.2.006.2A	Aluminium gasket		1	
	26	0370.49.250	Washer		1	

NOTES	NO.	CODE NO.	DESCRIPTION	VALIDITY	Q.TY	
	27	711.1.006.1A	Bush		2	
	28	713.1.140.1A	Spacer		2	
	29	60N101079	Screw		2	
	30	75794.1542	Bearing		1	
	31	710.1.063.1A	Bearing holder bush		1	
	32	593.1.003.1B	Breather valve		1	
	33	93823.3156	O-ring		1	

DRAWING 011


WATER PUMP - ALTERNATOR COVER



DRAWING **011** WATER PUMP - ALTERNATOR COVER

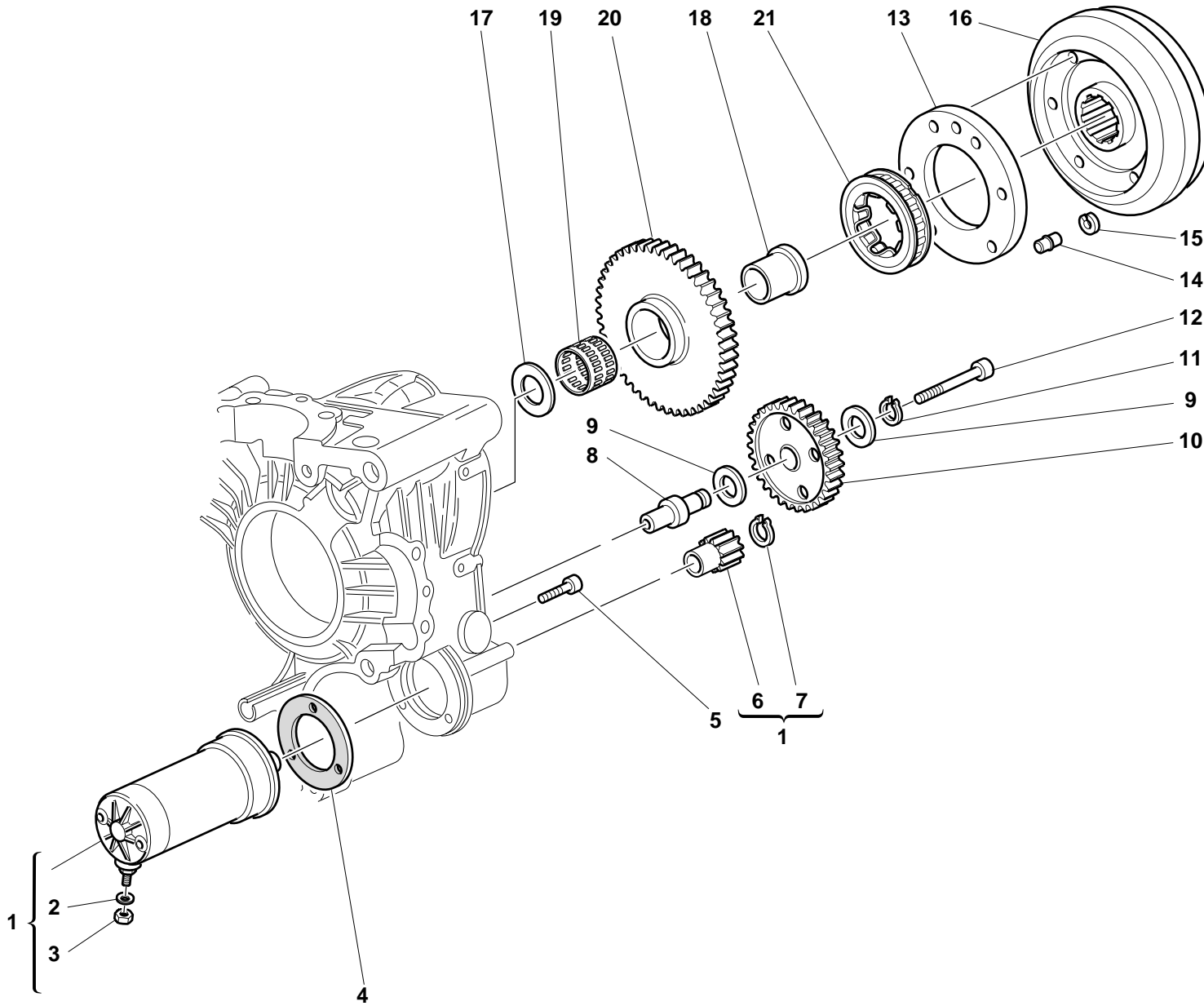
NOTES	NO.	CODE NO.	DESCRIPTION	VALIDITY	Q.TY	
	1	264.4.014.2B	Generator		1	
	2	247.1.083.1AE	Chain cover		1	
	3	771.5.064.2B	Screw		2	
	4	702.5.008.1A	Bearing		1	
	5	771.5.040.2B	Screw		2	
	6	60N101079	Screw		2	
	7	462.3.003.8A	Washer		2	
	8	884.5.011.1A	A 10 Ring		1	
	9	702.4.010.1A	Bearing		1	
	10	713.1.118.1A	Spacer		1	
	11	702.4.009.1A	Bearing		1	
	12	94247.0014	Fluid sealant		1	
	13	242.2.034.1A	Generator cover		1	
	14	0400.49.240	Locating bush		2	
	15	60N102511	Screw		3	
	16	668.1.001.2A	Water pump delivery filler		2	
	17	77499.3421	Gearbox pin bush		1	
	18	93783.1524	Seal ring		1	
	19	60N102510	Screw		9	
	20	771.5.066.2B	Screw		5	
	21	0011.52.010	Locating dowel		2	
	22	93823.2131	O-ring		1	
	23	247.1.002.1BB	Cover		1	
	24	777.5.049.2C	Screw		2	
	25	254.1.001.1A	Ignition inspection cap		1	
	26	930.5.005.1A	Seal		1	

CATALOGUE No:
ISSUED:*915.1.096.1C*
05 - 00


NOTES	NO.	CODE NO.	DESCRIPTION	VALIDITY	Q.TY	
	27	713.1.128.1A	Spacer		1	
	28	930.5.006.2A	Mechanical seal		1	
	29	251.2.002.3B	Water pump fan		1	
	30	788.1.056.1A	Gasket		1	
	31	247.1.114.1A	Complete water pump cover		1	
	32	420.2.001.0A	Copper gasket		1	
	33	780.5.001.1A	Cap		1	
	34	852.1.114.1A	Washer		1	
	35	830.1.144.1A	Bracket		1	
	36	771.4.006.1A	Screw		8	
	37	771.5.073.2B	Screw		3	
	38	552.4.009.1A	Sensor		1	
	39	734005N01	Spring washer		2	
	40	70620.5212	Screw		2	
	41	788.1.003.1B	Gasket th.0.5		1	
	41	788.1.012.1A	Gasket th.0.3		1	
	41	788.1.013.1A	Gasket th.0.2		1	
	42	93823.2056	O-ring		1	
	43	73503.3380	Circlip		1	

CATALOGUE No:
ISSUED:*915.1.096.1C*
05 - 00

DRAWING **012** ELECTRIC STARTER AND IGNITION



DRAWING **012** ELECTRIC STARTER AND IGNITION

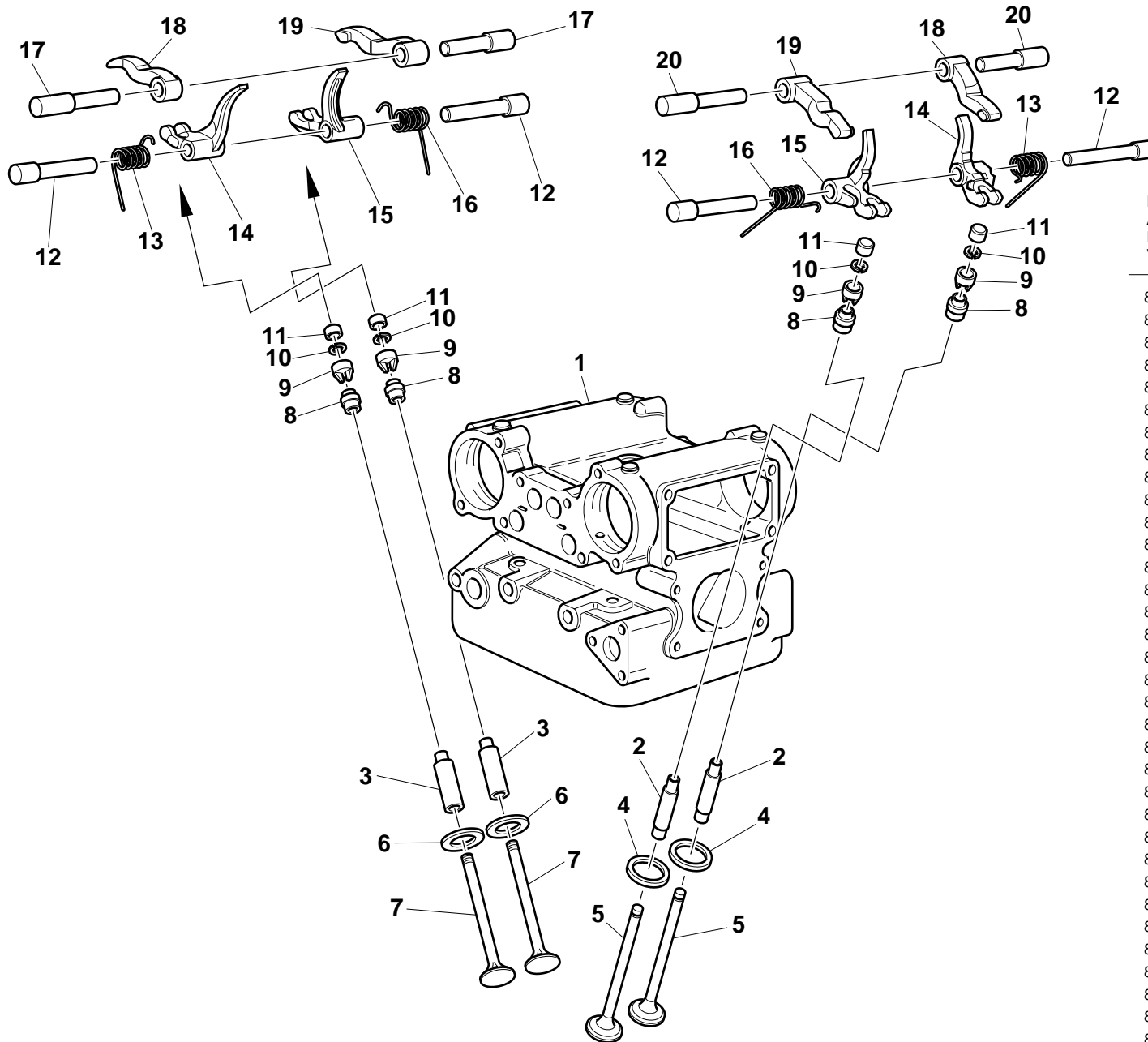
NOTES	NO.	CODE NO.	DESCRIPTION	VALIDITY	Q.TY	
	1	270.4.001.1A	Complete starter motor (8-9 included)		1	
	2	734006N01	Spring washer		1	
	3	72430.6001	Nut		1	
	4	788.1.054.1A	Starter motor gasket		1	
	5	60N102510	Screw		3	
	6	176.1.001.1A	Starter motor sprocket		1	
	7	73500.1237	Circlip		1	
	8	0660.50.020	Intermediate gear pin		1	
	9	0124.40.050	Washer		2	
	10	176.1.002.1A	Intermediate gear assembly		1	
	11	73500.1440	Circlip		1	
	12	771.5.078.2B	Screw		1	
	13	160.1.057.1A	Flange		1	
	14	863.1.002.1A	Locating pin		1	
	15	0647.29.040	Check ring		1	
	16	276.1.025.1B	Ignition flywheel		1	
	17	0619.50.065	Washer		1	
	18	881.1.010.1C	Inner ring		1	
	19	701.4.003.1A	Needle bearing		1	
	20	173.1.004.1A	Electric starter driven gear		1	
	21	701.4.007.1A	Starter clutch		1	

NOTES	NO.	CODE NO.	DESCRIPTION	VALIDITY	Q.TY	
-------	-----	----------	-------------	----------	------	---

DRAWING

013


HEAD: TIMING



11 Registro bilanc. apertura Adjustment Réglage Ventilkäppchen		9 Registro bilanc. chiusura Adjustment Réglage Ventilkäppchen	
840.1.031.1A	1,8	840.1.051.1B	2,7
840.1.032.1A	1,85	840.1.052.1B	2,75
840.1.033.1A	1,9	840.1.053.1B	2,8
840.1.034.1A	1,95	840.1.054.1B	2,85
840.1.001.1A	2	840.1.055.1B	2,9
840.1.002.1A	2,05	840.1.056.1B	2,95
840.1.003.1A	2,1	840.1.057.1B	3
840.1.004.1A	2,15	840.1.058.1B	3,05
840.1.005.1A	2,2	840.1.059.1B	3,1
840.1.006.1A	2,25	840.1.060.1B	3,15
840.1.007.1A	2,3	840.1.061.1B	3,2
840.1.008.1A	2,35	840.1.062.1B	3,25
840.1.009.1A	2,4	840.1.063.1B	3,3
840.1.010.1A	2,45	840.1.064.1B	3,35
840.1.011.1A	2,5	840.1.065.1B	3,4
840.1.012.1A	2,55	840.1.066.1B	3,45
840.1.013.1A	2,6	840.1.067.1B	3,5
840.1.014.1A	2,65	840.1.068.1B	3,55
840.1.015.1A	2,7	840.1.069.1B	3,6
840.1.016.1A	2,75	840.1.070.1B	3,65
840.1.017.1A	2,8	840.1.071.1B	3,7
840.1.018.1A	2,85		
840.1.019.1A	2,9		
840.1.020.1A	2,95		
840.1.021.1A	3		
840.1.022.1A	3,05		
840.1.023.1A	3,1		
840.1.024.1A	3,15		
840.1.025.1A	3,2		
840.1.026.1A	3,25		
840.1.027.1A	3,3		
840.1.028.1A	3,35		
840.1.029.1A	3,4		
840.1.0301A	3,45		

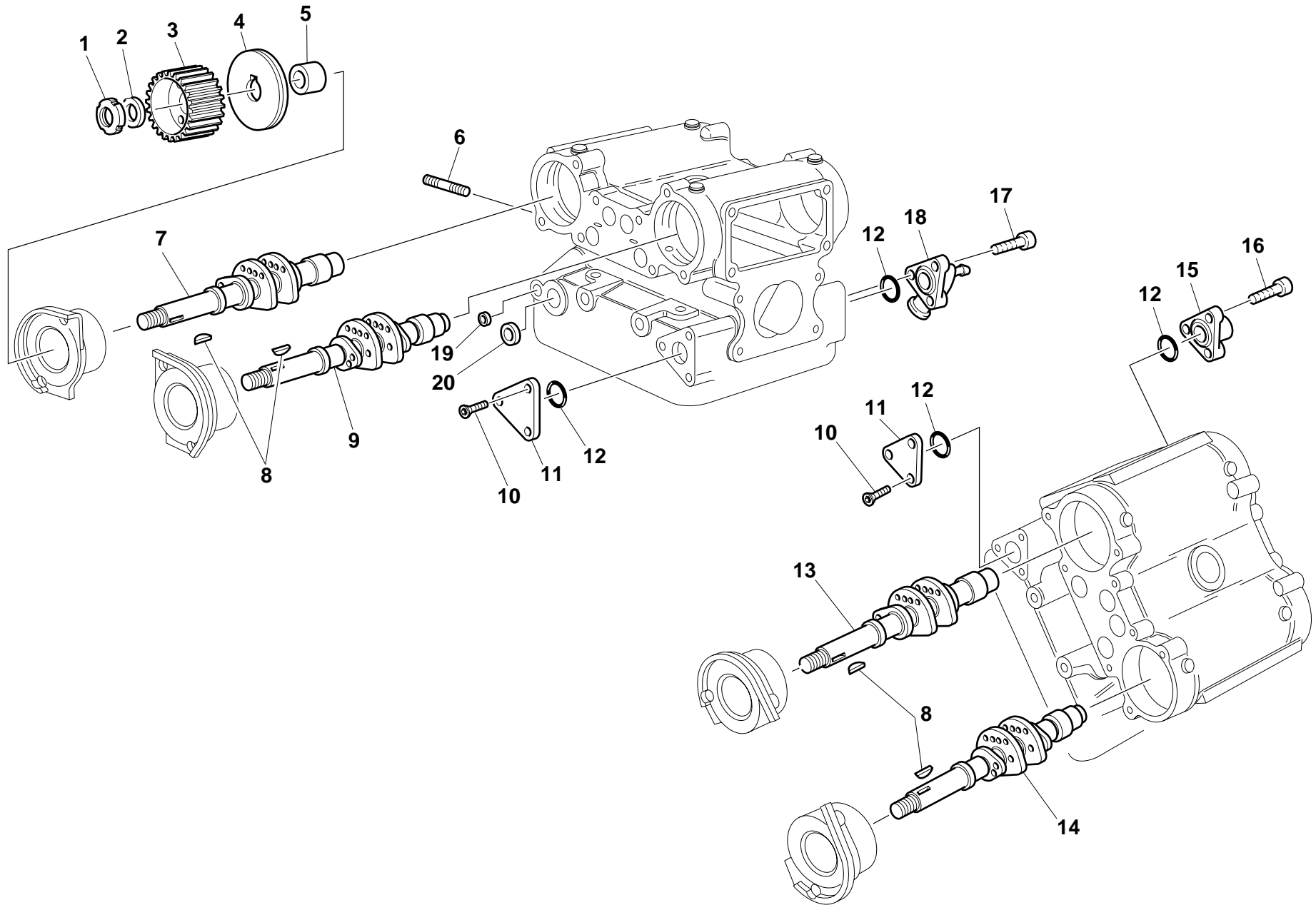
DRAWING **013** HEAD: TIMING

NOTES	NO.	CODE NO.	DESCRIPTION	VALIDITY	Q.TY	
	1	301.2.079.1A	Head (2,3,4,6 included)		2	
	2	303.1.009.1A	Intake valve bronze guide		4	
	2	303.1.009.1AB	Oversize valve guide 0.03		4	
	2	303.1.009.1AC	Oversize valve guide 0.06		4	
	2	303.1.009.1AD	Oversize valve guide 0.09		4	
	3	303.1.002.1A	Exhaust valve bronze guide		4	
	3	303.1.002.1AB	Oversize valve guide 0.03		4	
	3	303.1.002.1AC	Oversize valve guide 0.06		4	
	3	303.1.002.1AD	Oversize valve guide 0.09		4	
	4	304.1.026.1A	Intake valve seat		4	
	4	304.1.026.1AB	Oversize intake valve seat 0.03		4	
	4	304.1.026.1AC	Oversize intake valve seat 0.06		4	
	5	210.1.022.2A	Intake valve		4	
	6	304.1.012.2A	Exhaust valve seat		4	
	6	304.1.012.2AB	Oversize exhaust valve seat 0.03		4	
	6	304.1.012.2AC	Oversize exhaust valve seat 0.06		4	
	7	211.1.005.3C	Exhaust valve		4	
	8	764.1.002.1A	Valve seal		8	
	9	See table		8	
	10	669.1.001.1E	Split rings		16	
	11	See table		8	
	12	821.1.004.1A	Closing rocker shaft		8	
	13	799.1.015.1A	L.H. valve return spring		4	
	14	209.1.002.4A	L.H. Closing rocker		4	
	15	209.1.001.4A	R.H. Closing rocker		4	
	16	799.1.014.1A	R.H. valve return spring		4	


NOTES	NO.	CODE NO.	DESCRIPTION	VALIDITY	Q.TY	
	17	821.1.003.1A	Exhaust opening rocker shaft		4	
	18	208.1.002.4A	L.H. Opening rocker		4	
	19	208.1.001.4A	R.H. Opening rocker		4	
	20	821.1.002.1A	Intake opening rocker shaft		4	

DRAWING 014

HEAD

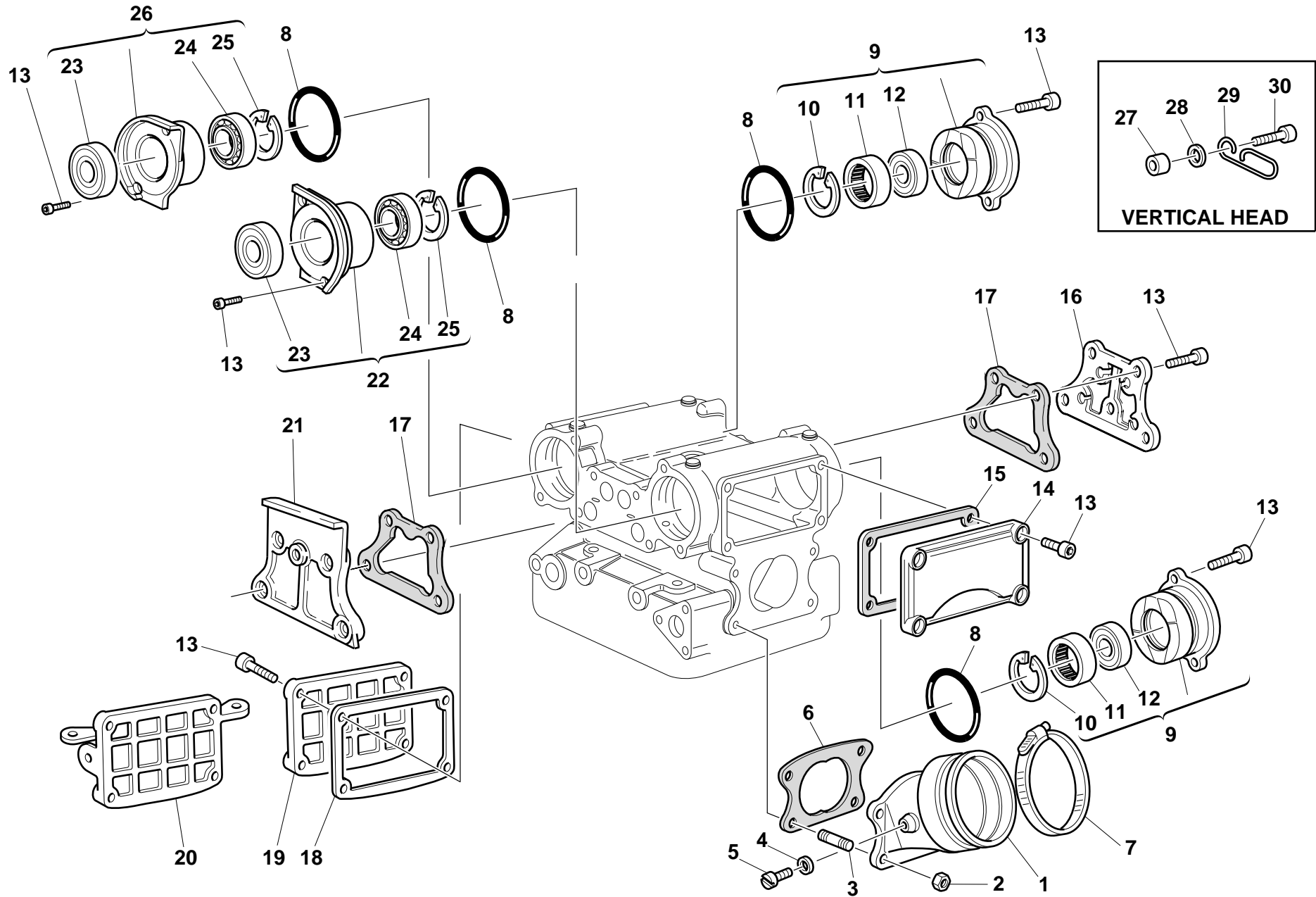


DRAWING **014** HEAD

NOTES	NO.	CODE NO.	DESCRIPTION	VALIDITY	Q.TY	
	1	72944.1542	Elastic-stop ring nut		4	
	2	0797.69.040	Washer		4	
	3	255.1.004.1A	Timing belt roller		4	
	4	856.1.002.1A	Belt roller separating washer		4	
	5	713.1.007.1A	Belt roller spacer		4	
	6	766.4.012.1A	Stud bolt		6	
	7	148.1.002.1A	Vertical exhaust camshaft		1	
	8	74172.1008	Woodruff key		4	
	9	148.1.001.1A	Vertical intake camshaft		1	
	10	70780.6516	Screw		6	
	11	247.1.020.1AA	Cover		2	
	12	93823.2087	O-ring		4	
	13	148.1.035.1A	Horizontal intake camshaft		1	
	14	148.1.004.1A	Horizontal exhaust camshaft		1	
	15	814.1.036.1A	Water outlet union		1	
	16	60N102509	Screw		3	
	17	60N107335	Screw		3	
	18	814.1.038.1A	Water outlet union		1	
	19	873.1.004.1A	Cap		4	
	20	873.1.001.1A	Cap		4	


NOTES	NO.	CODE NO.	DESCRIPTION	VALIDITY	Q.TY	
-------	-----	----------	-------------	----------	------	---

DRAWING **015** COLLECTORS AND HEAD COVERS




DRAWING **015** COLLECTORS AND HEAD COVERS

NOTES	NO.	CODE NO.	DESCRIPTION	VALIDITY	Q.TY	
	1	140.1.001.2A	Intake manifold		2	
	2	8000.44240	Nut		8	
	3	766.4.012.1A	Stud bolt		8	
	4	0250.70.223	Aluminium gasket		4	
	5	776.5.032.2A	Screw		4	
	6	788.1.002.2A	Intake duct gasket		2	
	7	741.4.067.1A	Clamp		2	
	8	886.4.001.1A	O-Ring		8	
	9	235.2.002.1AA	Complete cap tachometer side		4	
	10	73503.3380	Circlip		4	
	11	75794.1542	Bearing		4	
	12	93783.1730	Seal ring		4	
	13	60N107335	Screw		46	
	14	240.1.001.1AA	Intake valve cover		2	
	15	788.1.007.3A	Intake valves cover gasket		2	
	16	247.1.005.3BA	Central cover		2	
	17	788.1.010.4A	Central cover gasket		4	
	18	788.1.053.1A	Exhaust valves cover gasket		2	
	19	240.1.002.1AA	Exhaust valve cover		1	
	20	240.1.015.1A	Exhaust valve cover (horizontal)		1	
	21	247.1.006.2AA	Central cover timing side		2	
	22	235.2.003.1AA	Complete cap timing side		2	
	23	93783.2235	Seal ring		4	
	24	75120.1747	Bearing		4	
	25	73503.3683	Circlip		4	
	26	235.2.004.1AA	Complete cap timing side		2	

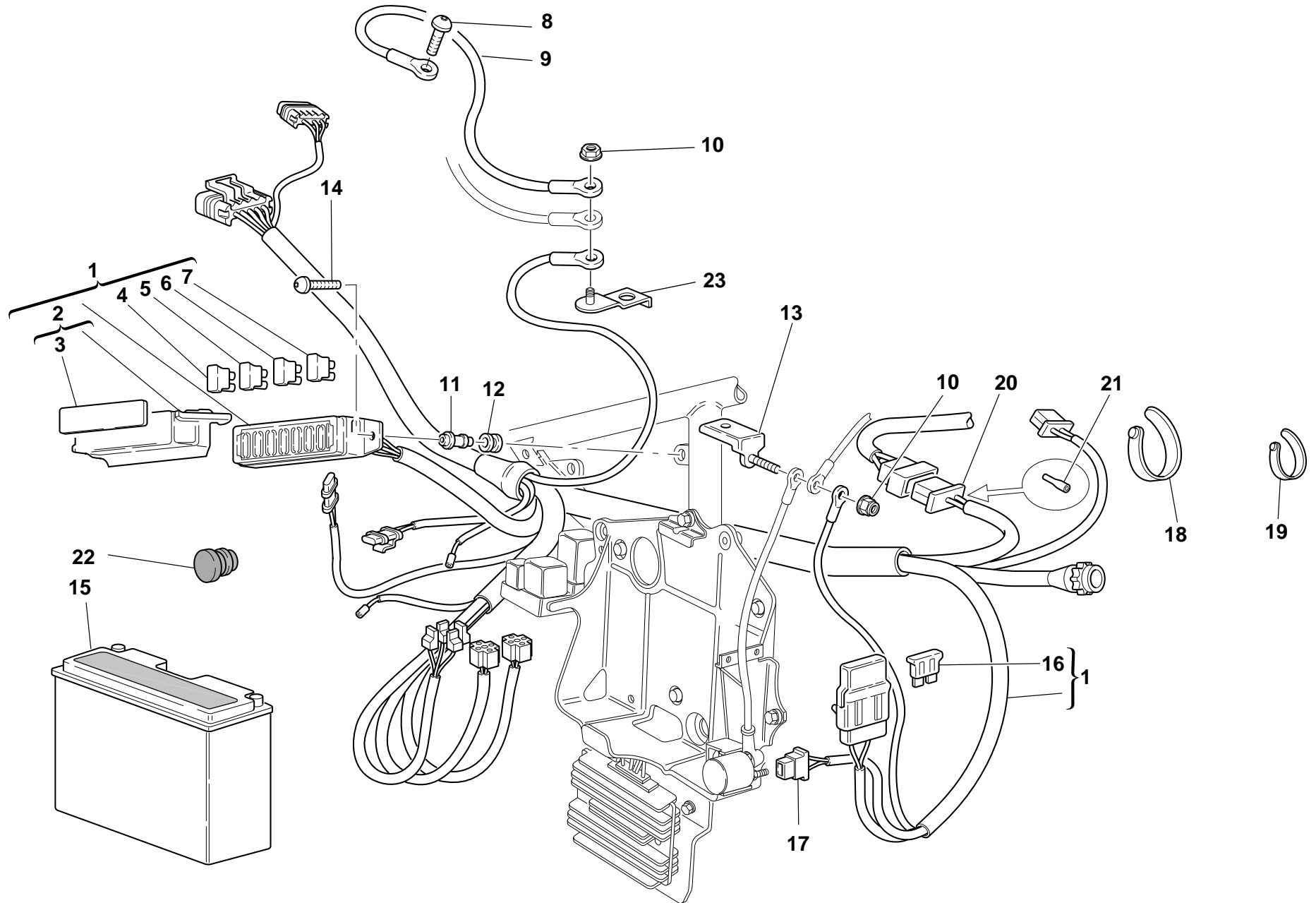
NOTES	NO.	CODE NO.	DESCRIPTION	VALIDITY	Q.TY	
	27	0675.49.540	Spacer		1	
	28	734306N01	Washer		1	
	29	829.1.187.1A	Guide ring		1	
	30	60N102510	Screw		1	

DRAWING **016** THROTTLE BODY

NOTES	NO.	CODE NO.	DESCRIPTION	VALIDITY	Q.TY	
	1	282.4.020.1A	Throttle body		1	
	2	510.1.059.1B	Throttle body wiring		1	
	3	830.1.090.1A	Bracket		1	
	4	590.1.054.1A	Fuel pipe		1	
	5	741.4.040.1A	Clamp "M"		1	
	6	741.4.041.1A	Clamp "R"		1	
	7	590.1.053.1A	Fuel pipe		1	
	8	799.1.052.2A	Spring		4	
	9	470412	Screw		4	
	10	287.4.028.1A	Bypass adjusting screw		1	
	11	287.4.024.1B	Clamp		4	
	12	590.1.079.1A	Fuel pipe		1	
	13	830.1.121.1A	Connector holder		1	
	14	284.4.001.1B	Potentiometer PF09/04		1	
	15	287.4.029.1A	Repair kit		1	
	16	287.4.027.1B	Tie rod		1	
	17	280.4.005.1A	Injector		4	
	18	884.5.010.1A	Circlip		1	

NOTES	NO.	CODE NO.	DESCRIPTION	VALIDITY	Q.TY	
-------	-----	----------	-------------	----------	------	---

DRAWING **017** ELECTRIC SYSTEM

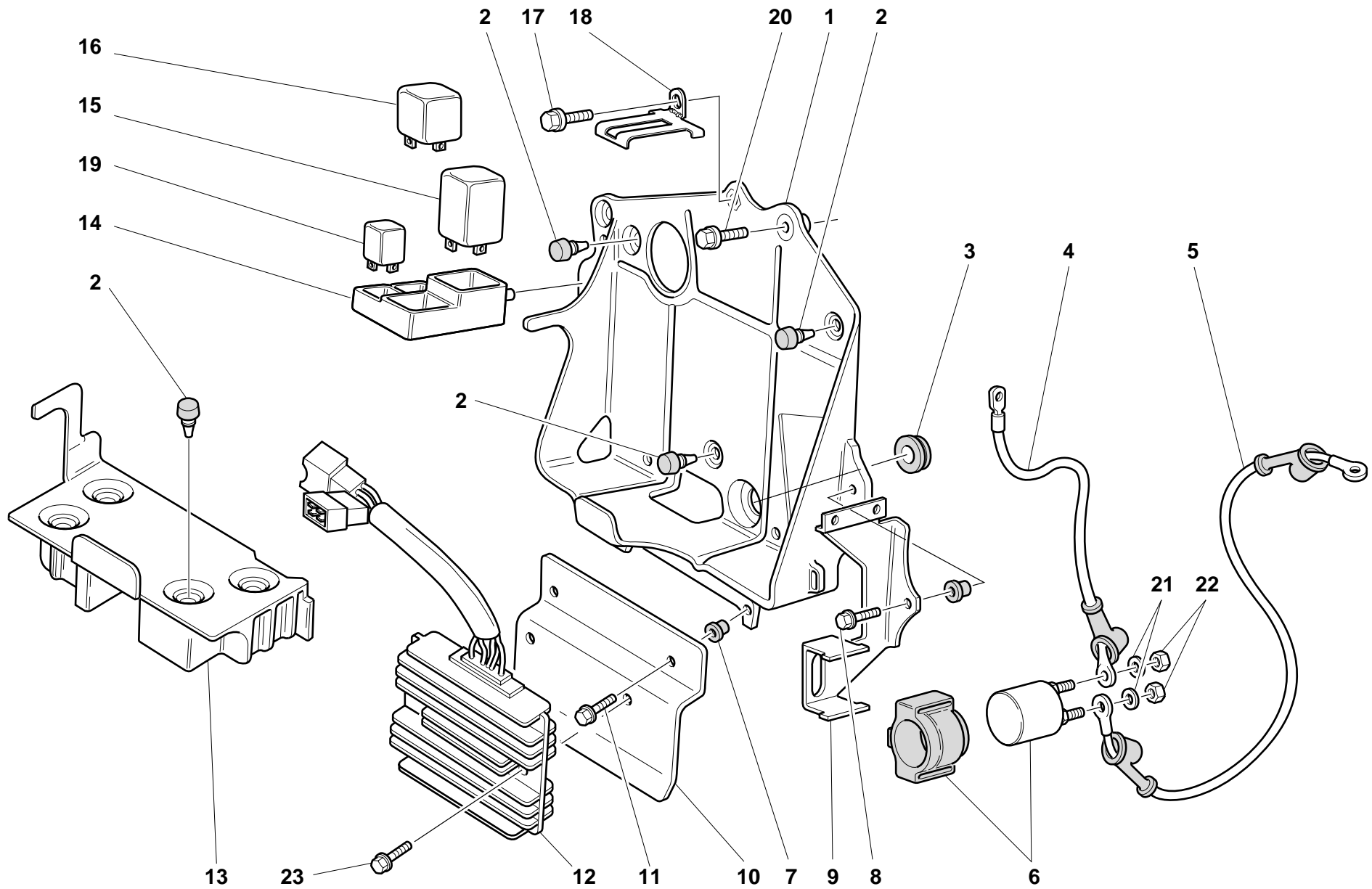


DRAWING **017** ELECTRIC SYSTEM


NOTES	NO.	CODE NO.	DESCRIPTION	VALIDITY	Q.TY	
	1	510.1.148.1A	Electric wiring		1	
	2	246.1.058.1A	Cover		1	
	3	433.1.205.1A	Sticker schema fusibili		1	
	4	389.4.006.1A	Fuse 3A		2	
	5	389.4.007.1A	Fuse 7.5A		3	
	6	389.4.008.1A	Fuse 15A		2	
	7	389.4.010.1A	Fuse 30A		1	
	8	775.1.006.1A	Special screw		1	
	9	513.1.008.2D	Battery grounding cable		1	
	10	8000.56443	Nut		2	
	11	821.1.054.1A	Pin		2	
	12	0797.72.068	Vibration damper pad		2	
	13	827.1.077.1A	Plate		1	
	14	779.1.088.1A	Screw		2	
	15	395.4.013.1A	Battery		1	
	16	389.4.014.1A	Fuse 40A		1	
	17	0000.56803	Connector		1	
	18	741.1.013.1A	Clamp		6	
	19	8000.53724	Clamp		8	
	20	8000.66526	Connector		1	
	21	0000.66527	End section		4	
	22	872.1.026.1A	Cap		1	
	23	827.1.215.1A	Plate		1	

NOTES	NO.	CODE NO.	DESCRIPTION	VALIDITY	Q.TY	
-------	-----	----------	-------------	----------	------	---

DRAWING **017.1** ELECTRIC SYSTEM

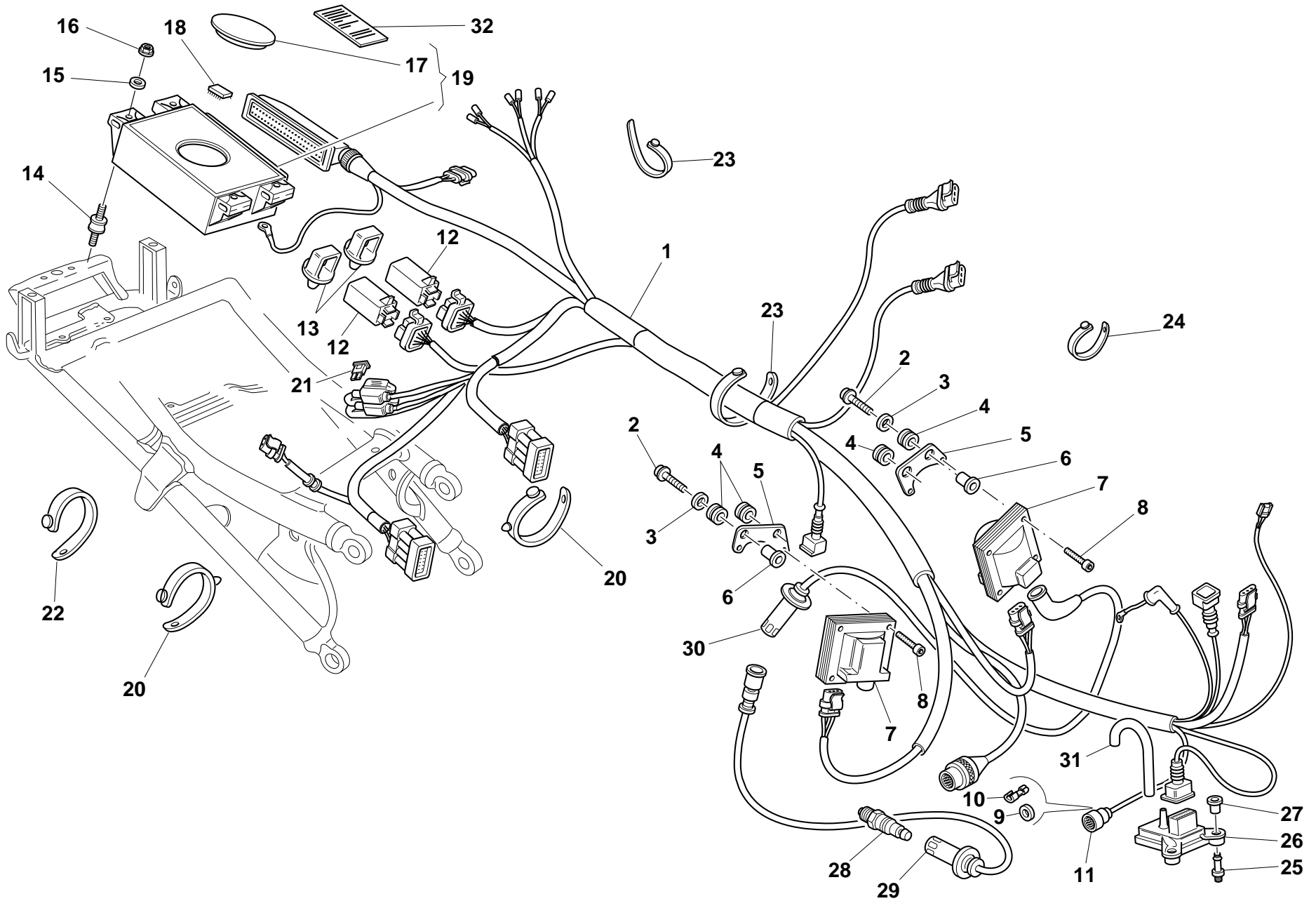


DRAWING **017.1** ELECTRIC SYSTEM

NOTES	NO.	CODE NO.	DESCRIPTION	VALIDITY	Q.TY	
	1	829.1.095.3A	Battery box mount		1	
	2	8000.66308	Vibration damper pad		7	
	3	0797.72.068	Vibration damper pad		1	
	4	514.1.016.2B	Battery-solenoid starter cable		1	
	5	514.1.017.2B	Solenoid starter-starter motor cable		1	
	6	397.4.001.1A	Remote switch		1	
	7	0364.99.020	Bush		3	
	8	8000.62726	Screw		1	
	9	827.1.071.1A	Plate		1	
	10	827.1.156.1A	Plate		1	
	11	8000.62729	Screw		2	
	12	540.4.011.1C	Regulator		1	
	13	829.1.270.1A	Holder		1	
	14	829.1.094.1D	Holder		1	
	15	538.4.005.1A	Flashing device		1	
	16	287.4.014.1A	Relay		1	
	17	772.5.025.1A	Screw		1	
	18	827.1.195.1A	Plate		1	
	19	541.4.003.1A	Relay		2	
	20	8000.62726	Screw		2	
	21	462.4.037.6A	Spring washer		2	
	22	417.9.050.6A	Nut		2	
	23	772.5.024.1A	Screw		2	


NOTES	NO.	CODE NO.	DESCRIPTION	VALIDITY	Q.TY	
-------	-----	----------	-------------	----------	------	---

DRAWING **018** INJECTION SYSTEM



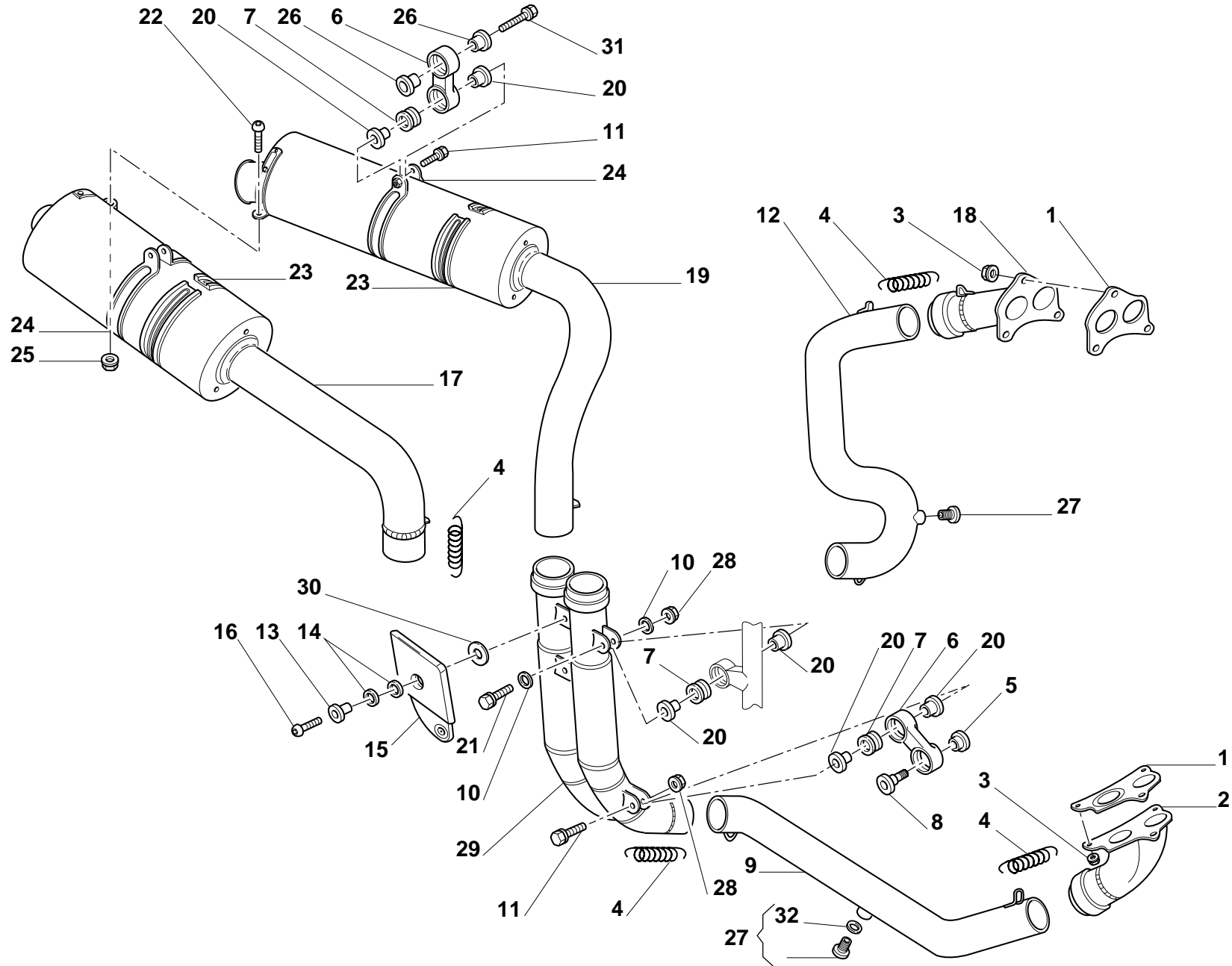
DRAWING **018** INJECTION SYSTEM

NOTES	NO.	CODE NO.	DESCRIPTION	VALIDITY	Q.TY	
	1	510.1.111.2A	Injection wiring		1	
	2	772.5.024.1A	Screw		2	
	3	8000.56359	Washer		2	
	4	0797.72.068	Vibration damper pad		4	
	5	829.1.096.1A	Holder		2	
	6	0000.44099	Spacer		2	
	7	285.4.003.1A	Coil		2	
	8	771.5.025.2B	Screw		4	
	9	764.4.005.1A	Rubber pad		1	
	10	387.4.002.1A	End section		2	
	11	386.4.006.1A	Connector		1	
	12	287.4.040.2A	Relay		2	
	13	829.1.127.1A	Holder		2	
	14	700.1.023.2A	Vibration damper		4	
	15	80A0.06385	Washer		4	
	16	8000.37901	Nut		4	
	17	872.4.018.1A	Rubber cap		1	
	18	546.1.107.1A	EPROM 074		1	
	19	286.4.017.1A	Injection control unit		1	
	20	741.1.010.1A	Clamp		2	
	21	389.4.013.1A	Fuse 20A		1	
	21	389.4.015.1A	Fuse 5A		1	
	22	741.1.012.1A	Clamp		2	
	23	741.1.013.1A	Clamp		7	
	24	8000.53724	Clamp		2	
	25	832.1.012.1A	Pin		3	

NOTES	NO.	CODE NO.	DESCRIPTION	VALIDITY	Q.TY	
	26	552.4.002.1A	Pressure sensor		1	
	27	764.1.016.1A	Vibration damper pad		3	
	28	670.4.012.1A	Spark plug		2	
	29	671.1.001.1A	Head spark plug wiring		1	
	30	671.1.002.1A	Head spark plug wiring		1	
	31	877.1.040.1A	Tube		1	
	32	433.1.179.1A	Plate "NON RIMUOVERE"		1	


DRAWING 019

EXHAUST SYSTEM

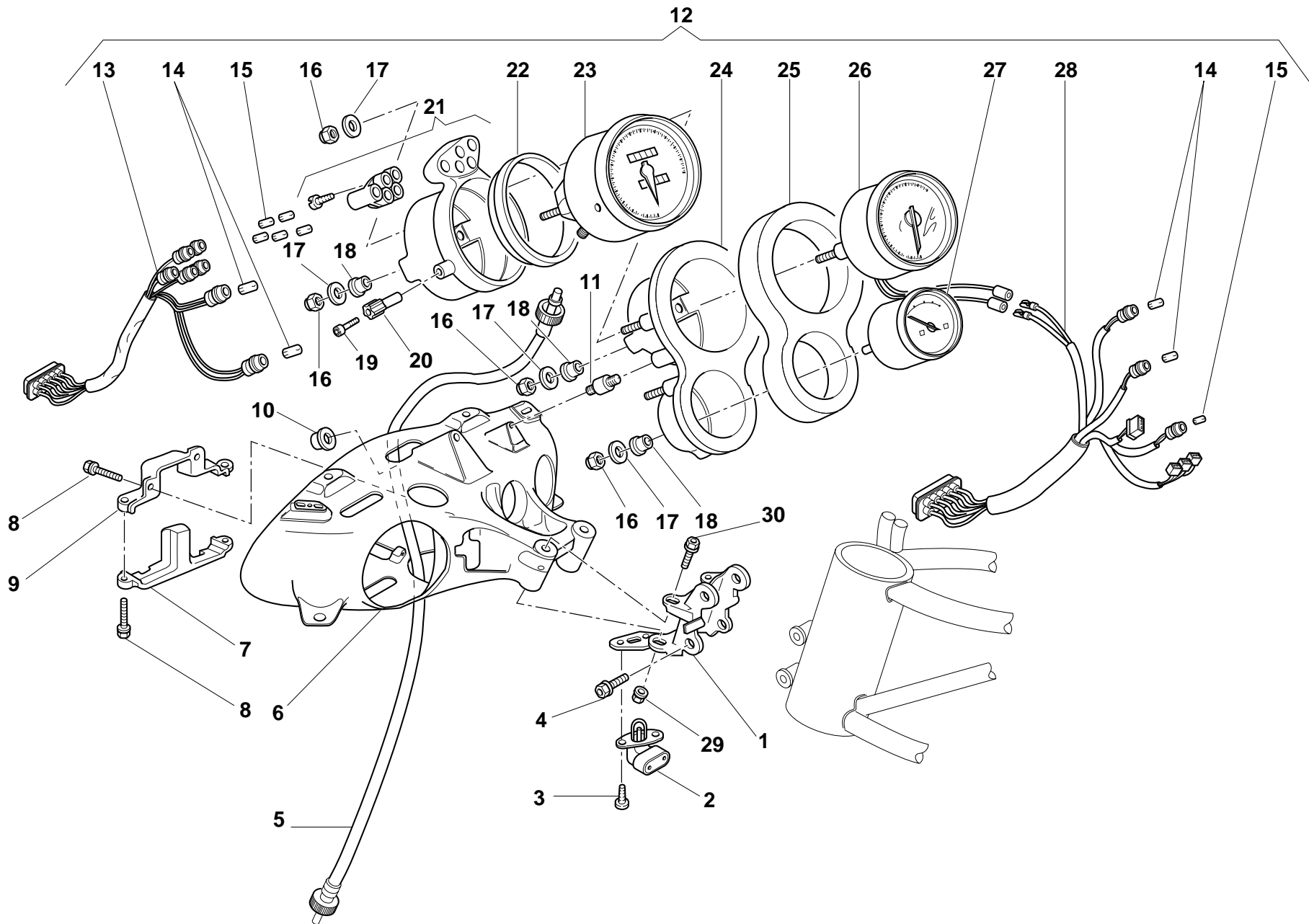


DRAWING **019** EXHAUST SYSTEM


NOTES	NO.	CODE NO.	DESCRIPTION	VALIDITY	Q.TY	
	1	790.1.001.2A	Exhaust gasket		2	
	2	160.1.043.2A	Exhaust manifold		1	
	3	748.4.002.7A	Nut		6	
	4	799.1.048.1A	Spring		6	
	5	710.1.027.1A	Spacer		1	
	6	80A0.62649	Holder		3	
	7	764.1.024.1A	Vibration damper pad		4	
	8	779.1.085.1A	Screw		1	
	9	570.1.022.2A	Horizontal head exhaust pipe		1	
	10	8000.56359	Washer		2	
	11	8000.62729	Screw		3	
	12	571.1.022.2A	Vertical head exhaust pipe		1	
	13	0000.44099	Spacer		2	
	14	852.1.072.1A	Washer		4	
	15	247.1.087.1A	Protection		1	
	16	0000.55698	Screw		2	
	17	573.1.049.2A	R.H. silencer		1	
	18	160.1.044.2A	Exhaust manifold		1	
	19	574.1.049.2A	L.H. silencer		1	
	20	713.1.082.1A	Spacer		8	
	21	0000.62730	Screw		1	
	22	779.1.009.1A	Screw		1	
	23	788.1.048.1A	Gasket		2	
	24	576.1.036.1A	Clamp		2	
	25	8000.56443	Nut		1	
	26	716.1.029.2A	Spacer		8	


NOTES	NO.	CODE NO.	DESCRIPTION	VALIDITY	Q.TY	
	27	780.1.007.1A	Cap		2	
	28	8000.44240	Nut		2	
	29	570.1.030.2A	Exhaust pipe		1	
	30	856.1.023.1A	Washer		2	
	31	772.5.023.1A	Screw		2	
	32	420.2.001.0A	Copper gasket		2	

DRAWING **020** INSTRUMENT PANEL

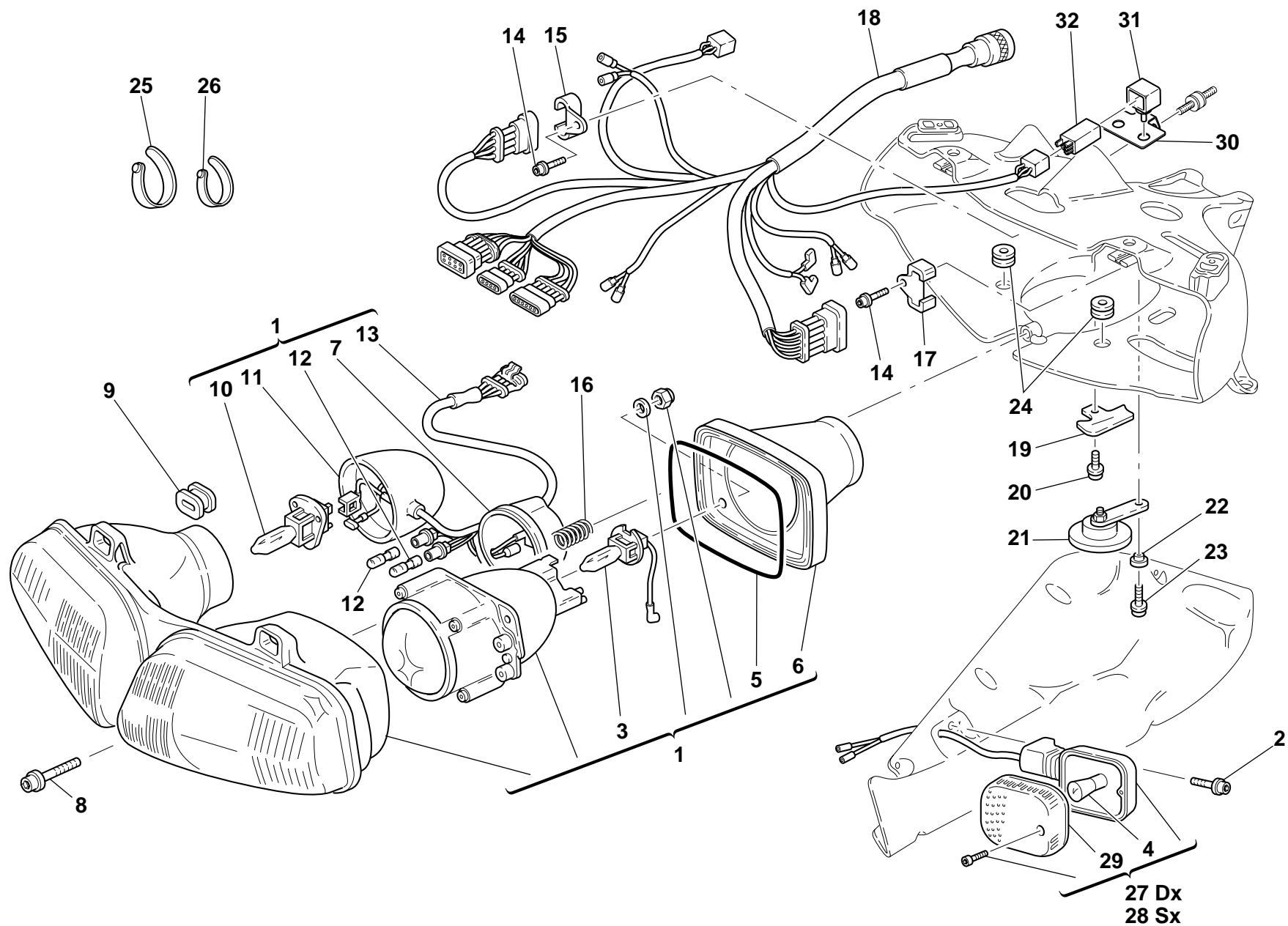


DRAWING **020** INSTRUMENT PANEL

NOTES	NO.	CODE NO.	DESCRIPTION	VALIDITY	Q.TY	
	1	829.1.140.1A	Front connection		1	
	2	552.4.012.1A	Air temperature sensor		1	
	3	72276.0686	Screw		2	
	4	8B00.67545	Screw		2	
	5	8A00.70130	Speedometer transmission		1	
	6	829.1.112.1AC	Headlight holder		1	
	7	829.1.118.1A	Holder		1	
	8	771.5.639.2B	Screw		4	
	9	829.1.117.1A	Holder		1	
	10	8000.42278	Nut		3	
	11	8000.56752	Rubber pad		3	
	12	400.2.014.1B	Complete instrument panel		1	
	13	510.1.061.1A	Wiring		1	
	14	0000.56750	Warning lamp bulb12V-2.1W		4	
	15	8000.20602	Warning lamp bulb12V-1.2W		6	
	16	8000.56748	Nut		7	
	17	8000.56747	Washer		7	
	18	8000.56746	Rubber pad		5	
	19	8000.56465	Screw		1	
	20	8000.56742	Grip		1	
	21	407.4.001.1A	Speedometer holder		1	
	22	8000.56741	Gasket		1	
	23	401.4.010.1A	Speedometer (miles)		1	
	24	0000.78348	Tachometer holder		1	
	25	8000.77936	Vibration damper sponge		1	
	26	402.4.012.1A	Tachometer		1	


NOTES	NO.	CODE NO.	DESCRIPTION	VALIDITY	Q.TY	
	27	404.4.007.1A	Water thermometer (°F)		1	
	28	510.1.070.1A	Instrument panel wiring		1	
	29	763106N01	El-stop nut		2	
	30	772.5.021.1A	Screw		2	

DRAWING **021** FRONT HEAD-LIGHT

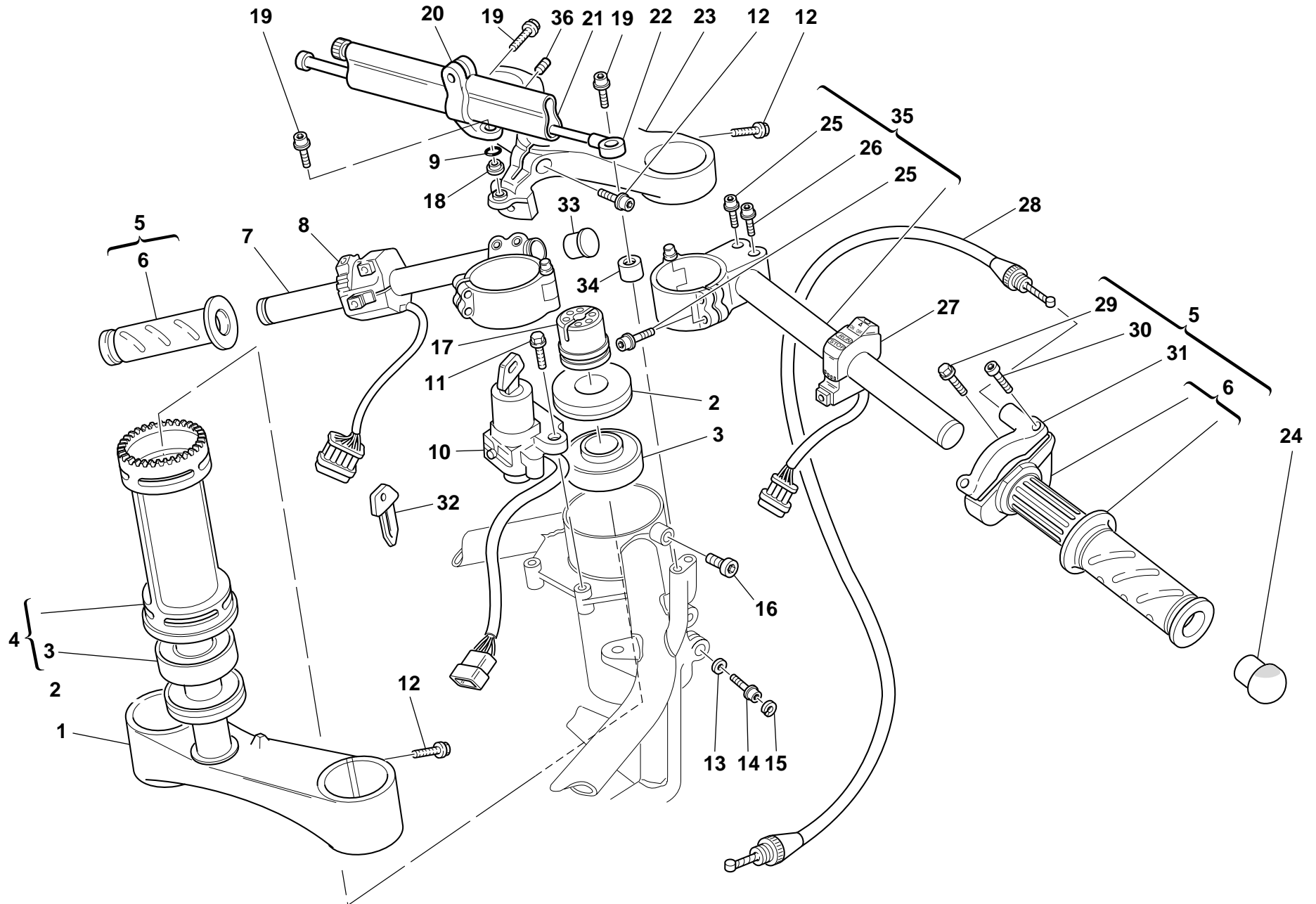


DRAWING **021** FRONT HEAD-LIGHT

NOTES	NO.	CODE NO.	DESCRIPTION	VALIDITY	Q.TY	
	1	520.4.004.3B	Complete headlight		1	
	2	771.5.667.2B	Screw		2	
	3	0000.79673	Bulb		1	
	4	8000.36726	Bulb		2	
	5	521.4.010.1A	Cover gasket		1	
	6	521.4.007.1A	Cover		1	
	7	521.4.008.1A	Headlight cover		1	
	8	771.5.672.2B	Screw		1	
	9	700.1.020.1A	Vibration damper		2	
	10	0000.79672	Bulb		1	
	11	521.4.009.1A	Headlight cover		1	
	12	8000.36230	Bulb		1	
	13	510.1.082.1A	Electric wiring		1	
	14	771.5.639.2B	Screw		2	
	15	827.1.089.1A	R.H. plate		1	
	16	799.1.064.1A	Spring		1	
	17	827.1.090.1A	L.H. plate		1	
	18	510.1.060.2D	Electric wiring		1	
	19	827.1.095.1A	Plate		1	
	20	772.5.025.1A	Screw		1	
	21	516.4.001.1AB	Horn (BLACK)		1	
	22	716.1.028.1A	Spacer		1	
	23	8000.62726	Screw		2	
	24	0797.72.068	Vibration damper pad		2	
	25	741.1.012.1A	Clamp		1	
	26	8000.53724	Clamp		2	


NOTES	NO.	CODE NO.	DESCRIPTION	VALIDITY	Q.TY	
	27	8000.74505	Turn indicator		1	
	28	8000.74504	Turn indicator		1	
	29	8000.74507	Cup		2	
	30	827.1.181.1A	Plate		1	
	31	829.1.190.1A	Rubber holder		2	
	32	541.4.003.1A	Relay		2	

DRAWING **022** FRONT FORK

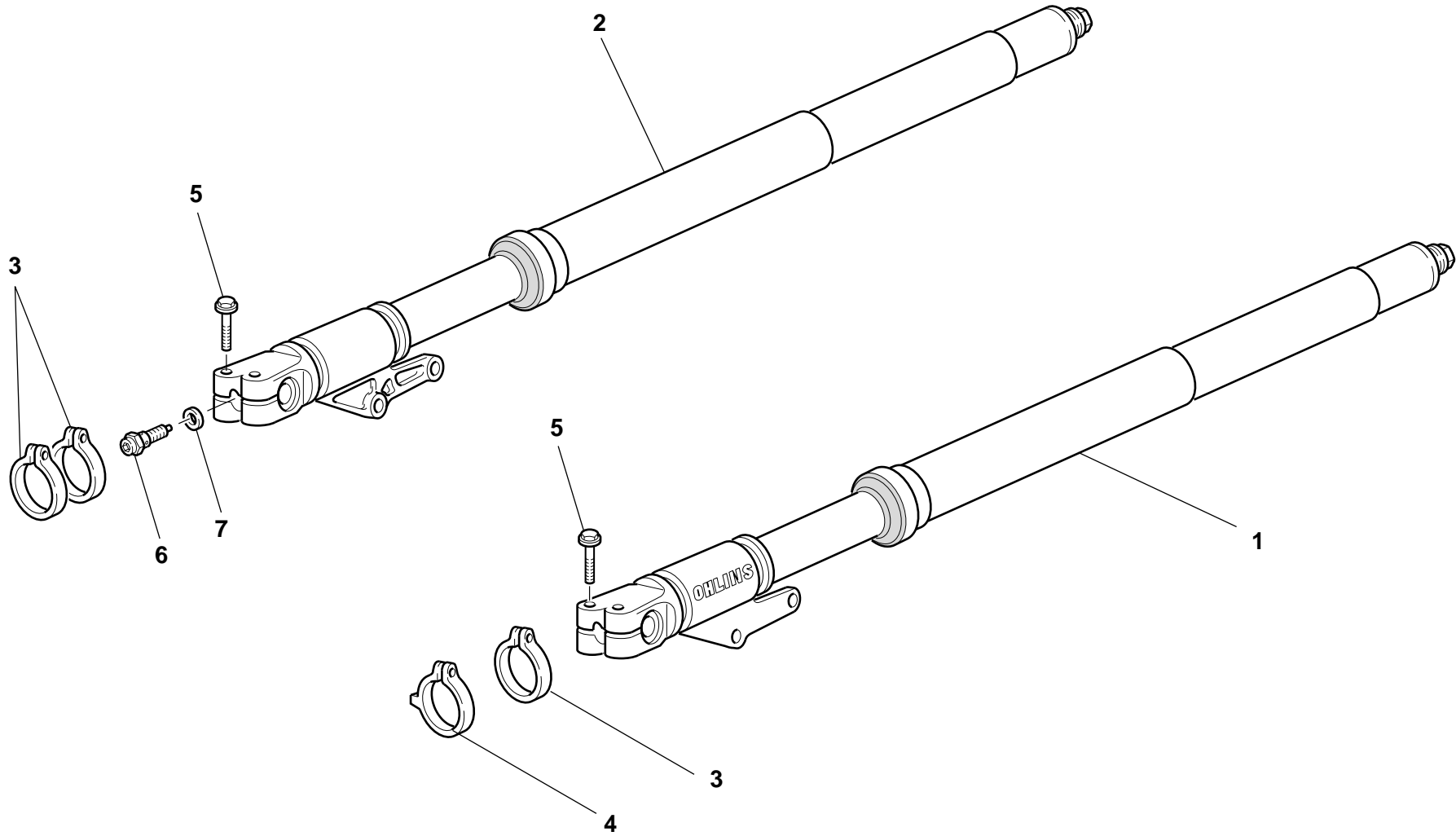


DRAWING **022** FRONT FORK


NOTES	NO.	CODE NO.	DESCRIPTION	VALIDITY	Q.TY	
	1	342.2.027.1A	Steering head base assembly		1	
	2	930.1.004.1A	Seal ring		2	
	3	702.4.004.1A	Bearing		2	
	4	343.2.005.1A	Tube		1	
	5	654.2.002.1A	Throttle control		1	
	6	656.2.012.1A	Grips pair		1	
	7	360.2.030.1A	L.H. handlebar		1	
	8	651.4.006.1B	L.H. switch		1	
	9	93823.2037	O-ring		1	
	10	652.4.004.2A	Key-operated switch		1	
	11	772.5.024.1A	Screw		2	
	12	771.5.725.2B	Screw		7	
	13	852.1.071.1A	Washer		2	
	14	771.5.723.2B	Screw		2	
	15	884.5.001.1A	Circlip		2	
	16	779.1.132.1A	Special screw		1	
	17	703.1.013.1A	Ring nut		1	
	18	716.1.049.1A	Spacer		1	
	19	771.5.664.2B	Screw		3	
	20	808.2.016.2A	Clamp		1	
	21	364.1.003.1A	Steering damper		1	
	22	848.4.005.1A	Ball joint		1	
	23	341.1.011.2A	Steering head		1	
	24	872.1.015.1A	Cap		2	
	25	771.5.669.2B	Screw		6	
	26	771.5.667.2B	Screw		2	

NOTES	NO.	CODE NO.	DESCRIPTION	VALIDITY	Q.TY	
	27	650.4.006.2A	R.H. switch		1	
	28	656.1.013.2A	Throttle control transmission		1	
	29	772.5.023.1A	Screw		2	
	30	8000.66774	Screw		2	
	31	658.4.002.1A	Cover		1	
	32	598.4.011.3A	Wrench		1	
	33	872.1.011.1A	Cap		2	
	34	713.1.132.1A	Spacer		1	
	35	360.2.031.1A	R.H. handlebar		1	
	36	778.5.009.1A	Threaded dowel		1	

DRAWING 022.1 FRONT FORK

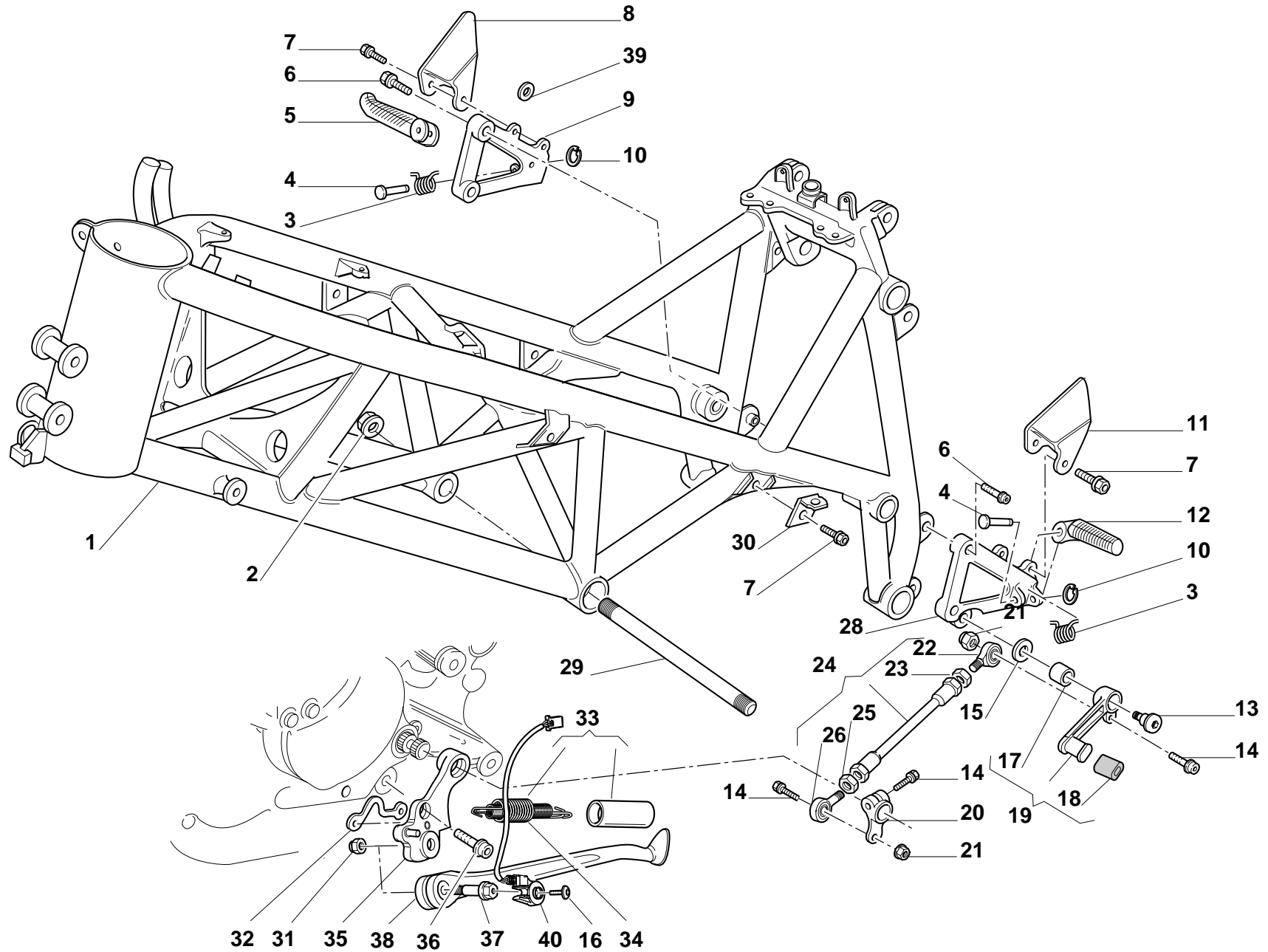


DRAWING **022.1** FRONT FORK

NOTES	NO.	CODE NO.	DESCRIPTION	VALIDITY	Q.TY	
	1	340.2.128.1A	L.H. fork leg assembly		1	
	2	340.2.129.1A	L.H. fork leg assembly		1	
	3	8000.70127	Clamp		3	
	4	8000.70133	Clamp		1	
	5	8A00.69056	Screw		4	
	6	349.2.010.1A	Adjusting screw		2	
	7	349.1.096.1A	Special washer		2	


NOTES	NO.	CODE NO.	DESCRIPTION	VALIDITY	Q.TY	
-------	-----	----------	-------------	----------	------	---

DRAWING 023 FRAME

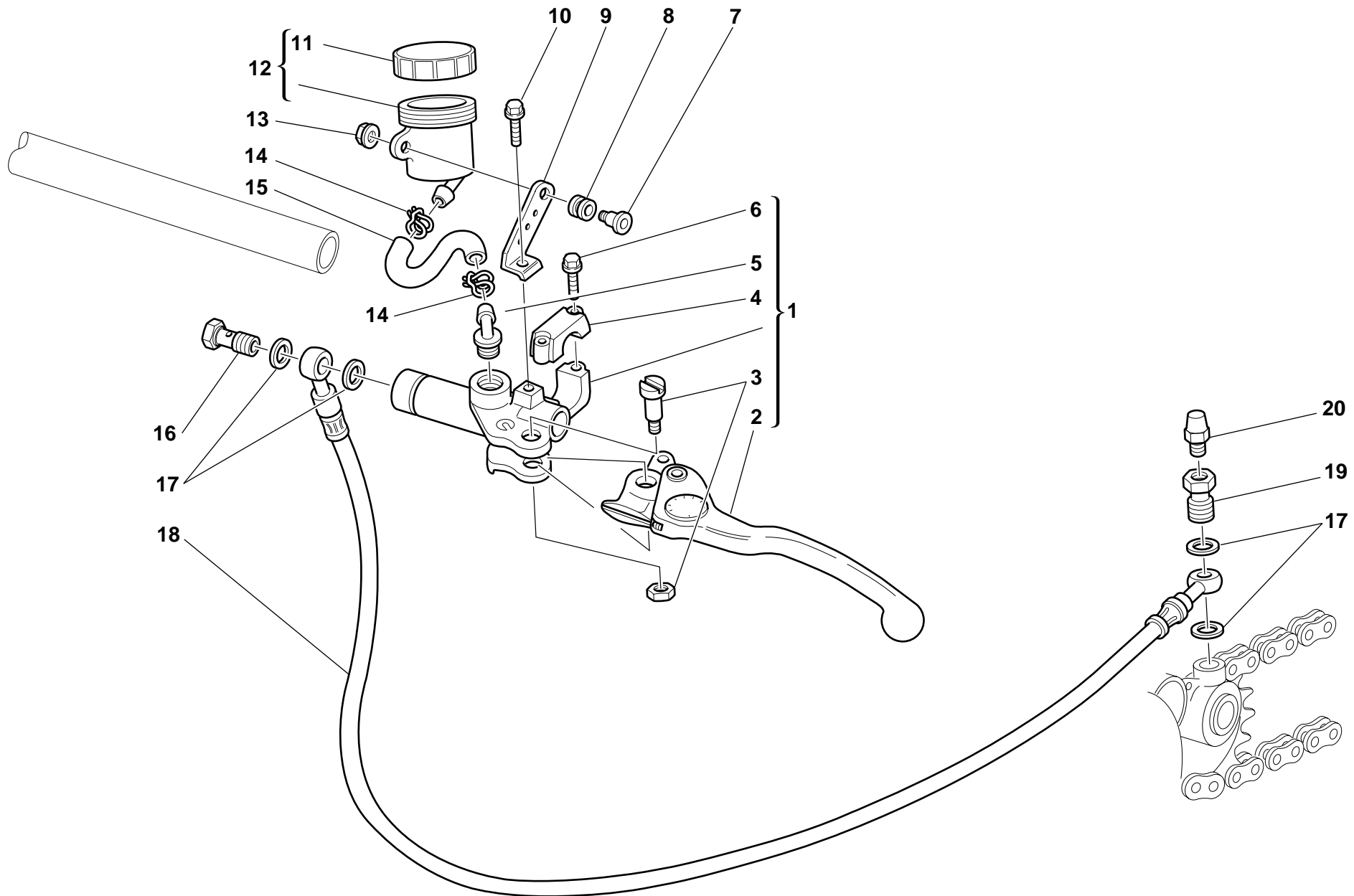


DRAWING **023** FRAME


NOTES	NO.	CODE NO.	DESCRIPTION	VALIDITY	Q.TY	
	1	470.1.026.1AB	Frame		1	
	2	729910FF1	Nut		2	
	3	799.1.045.1A	Spring		2	
	4	821.1.051.1A	Pin		2	
	5	464.1.006.1A	Front R.H. foot peg		1	
	6	771.5.723.2B	Screw		4	
	7	772.5.025.1A	Screw		8	
	8	247.1.074.1A	Protection		1	
	9	824.1.016.1A	R.H. foot peg holder plate		1	
	10	884.5.003.1A	Ring		2	
	11	247.1.073.1A	Protection		1	
	12	464.1.005.1A	Front L.H. foot peg		2	
	13	80A0.53548	Pin		1	
	14	771.5.667.2B	Screw		3	
	15	852.1.053.1A	Washer		1	
	16	779.4.005.1A	Screw		1	
	17	0000.59056	Bush		1	
	18	764.1.011.1A	Rubber pad		1	
	19	456.2.007.1A	Gearchange lever		1	
	20	456.1.006.1A	Gearchange control lever		1	
	21	763106N01	El-stop nut		2	
	22	76401.0003	Ball joint		1	
	23	747.5.001.1A	L.H. nut		1	
	24	117.1.030.1A	Gearbox transmission rod		1	
	25	60N115062	Nut		1	
	26	76401.0002	Ball joint		1	

NOTES	NO.	CODE NO.	DESCRIPTION	VALIDITY	Q.TY	
	27	117.2.030.1A	Gearbox transmission rod assembly		1	
	28	824.1.015.1A	L.H. foot peg holder plate		1	
	29	772.1.023.1A	Stud bolt		2	
	30	827.1.067.1A	Plate		4	
	31	750.1.048.1A	Nut		1	
	32	829.1.260.1A	Plate		1	
	33	799.2.001.1A	Complete spring		1	
	34	8000.62676	Inner spring		1	
	35	556.2.025.1A	Plate		1	
	36	771.5.754.2B	Screw		2	
	37	821.1.103.1A	Pin		1	
	38	556.1.013.2A	Side stand		1	
	39	713.1.099.1A	Spacer		2	
	40	539.1.023.1A	Switch		1	

DRAWING **024** CLUTCH CONTROL



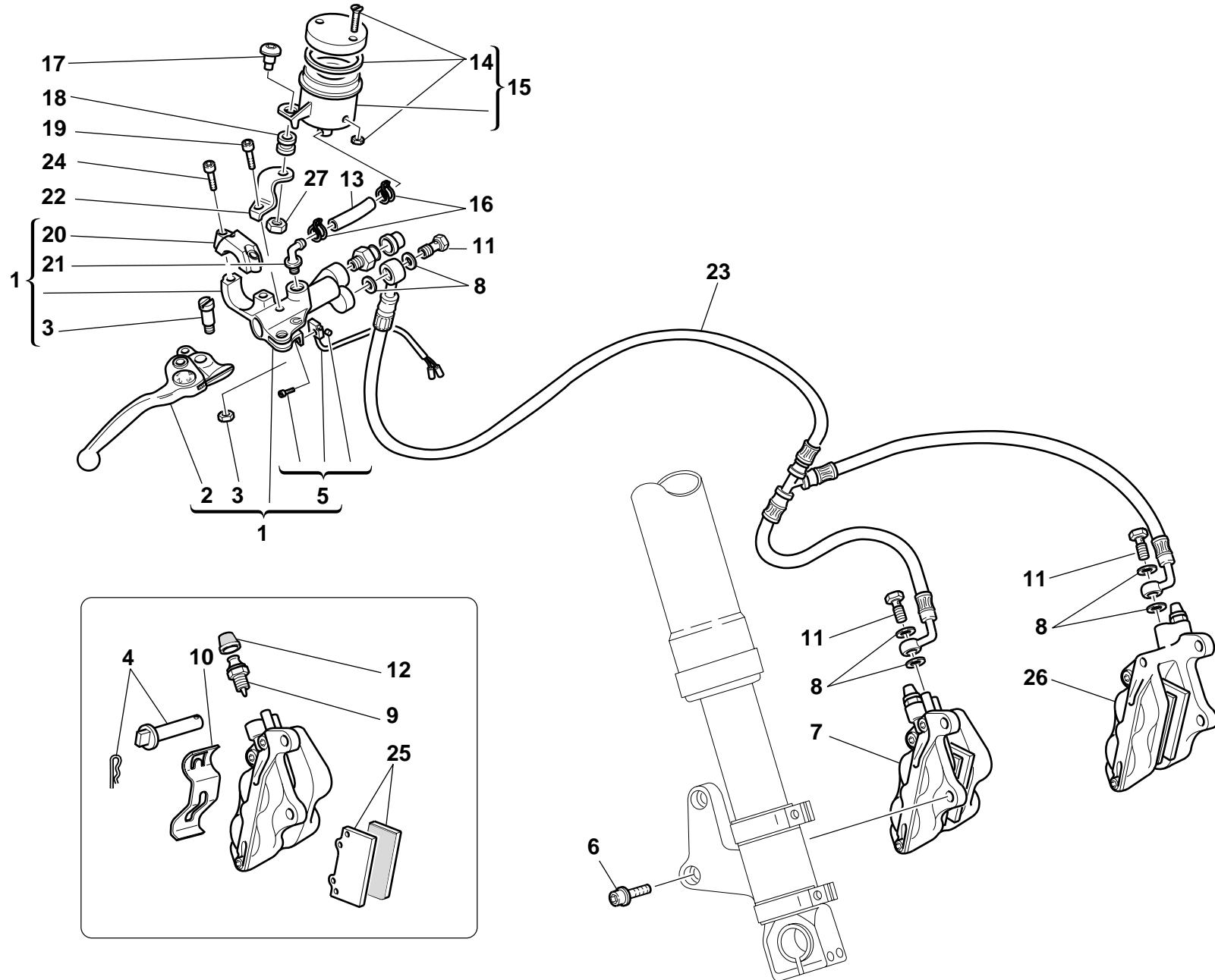
DRAWING **024** CLUTCH CONTROL

NOTES	NO.	CODE NO.	DESCRIPTION	VALIDITY	Q.TY	
	1	630.4.010.1AB	Clutch drive pump		1	
	2	631.4.009.1A	Lever with dowel		1	
	3	626.4.011.1A	Spare lever pin		1	
	4	626.4.010.1A	Spare bracket		1	
	5	631.4.008.1A	Spare union		1	
	6	771.5.669.2B	Screw		2	
	7	779.1.092.1A	Screw		1	
	8	0370.72.020	Vibration damper pad		1	
	9	829.1.228.1A	Plate		1	
	10	70700.6N02	Screw		2	
	11	893.4.005.1A	Cap		1	
	12	0000.61078	Complete oil tank		1	
	13	8000.56443	Nut		1	
	14	741.4.043.1A	Clamp		2	
	15	877.1.037.1A	Tube		1	
	16	779.1.058.1A	Special screw		1	
	17	420.2.001.0A	Copper gasket		4	
	18	632.1.018.1A	Clutch control pipe (METAL PLAITED)		1	
	19	779.1.082.1A	Filler		1	
	20	0000.33552	Bleed		1	

NOTES	NO.	CODE NO.	DESCRIPTION	VALIDITY	Q.TY	
-------	-----	----------	-------------	----------	------	---


DRAWING 025

FRONT HYDRAULIC BRAKE

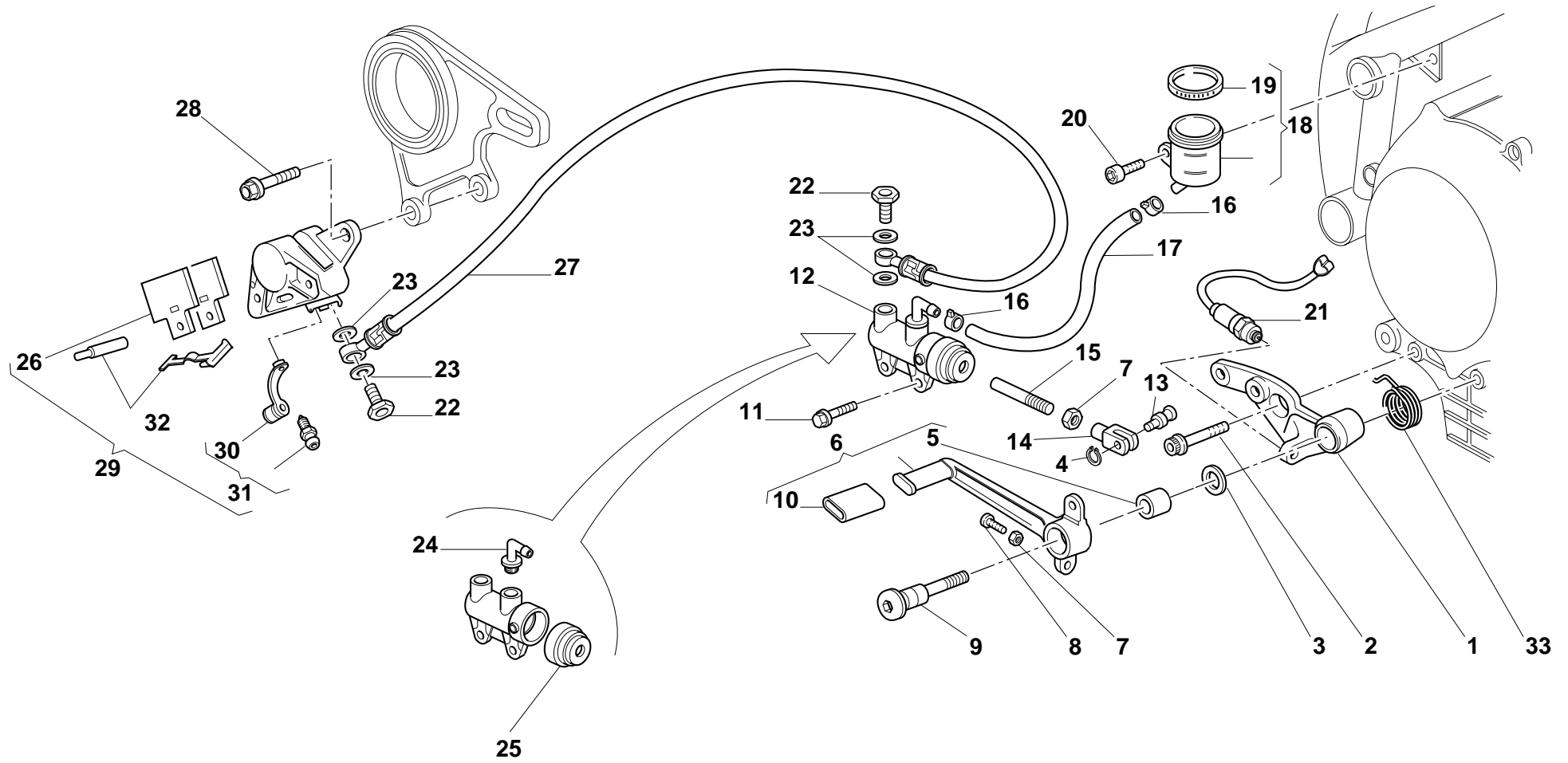


DRAWING **025** FRONT HYDRAULIC BRAKE

NOTES	NO.	CODE NO.	DESCRIPTION	VALIDITY	Q.TY	
	1	624.4.012.1A	Front brake pump		1	
	2	626.4.007.1A	Lever with dowel		1	
	3	626.4.009.1A	Spare lever pin		1	
	4	612.4.014.1A	Spare pins and spring		2	
	5	539.4.021.1A	Microswitch		1	
	6	771.5.754.2B	Screw		4	
	7	610.4.012.2C	R.H. brake caliper		1	
	8	420.2.001.0A	Copper gasket		6	
	9	631.4.004.1A	Spare bleed union		2	
	10	612.4.017.1A	Spring		2	
	11	779.1.058.1A	Special screw		3	
	12	612.4.008.1A	Dust seal		1	
	13	877.1.039.1A	Tube		1	
	14	8000.68490	Spare cap		1	
	15	0000.66181	Complete oil tank		1	
	16	741.4.043.1A	Clamp		2	
	17	779.1.092.1A	Screw		1	
	18	0370.72.020	Vibration damper pad		1	
	19	70700.6N02	Screw		1	
	20	626.4.008.1A	Spare bracket		1	
	21	8000.42345	Spare union		1	
	22	829.1.238.1A	Bracket		1	
	23	618.4.036.1A	Caliper pump pipe (METAL PLAITED)		1	
	24	771.5.669.2B	Screw		2	
	25	613.4.021.1B	Pads pair		2	
	26	610.4.011.2C	L.H. brake caliper		1	

NOTES	NO.	CODE NO.	DESCRIPTION	VALIDITY	Q.TY	
	27	729905FN1	El-stop nut		1	

DRAWING **026** REAR HYDRAULIC BRAKE




DRAWING

026

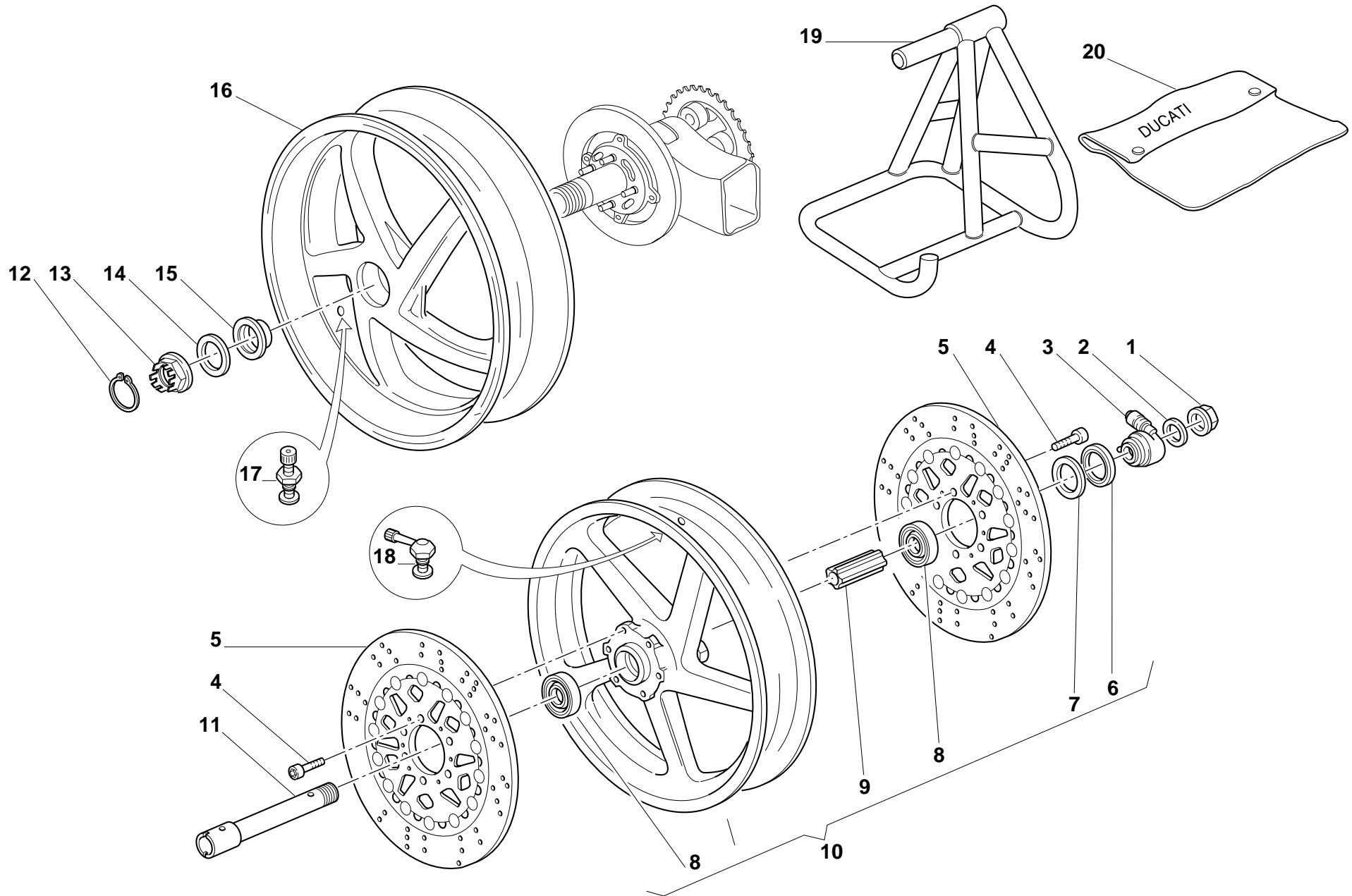
REAR HYDRAULIC BRAKE

NOTES	NO.	CODE NO.	DESCRIPTION	VALIDITY	Q.TY	
	1	829.1.078.1A	Holder		1	
	2	771.5.754.2B	Screw		1	
	3	852.1.054.1A	Washer		1	
	4	73500.0624	Circlip		1	
	5	0000.59056	Bush		1	
	6	457.2.008.1A	Brake control lever		1	
	7	60N115062	Nut		2	
	8	8000.67981	Threaded dowel		1	
	9	821.1.052.1A	Pedal pin		1	
	10	764.1.011.1A	Rubber pad		1	
	11	772.5.024.1A	Screw		2	
	12	625.4.006.1A	Rear brake pump		1	
	13	821.1.096.1A	Pin		1	
	14	80A0.55757	Fork		1	
	15	117.1.025.1A	Adjuster rod		1	
	16	741.4.043.1A	Clamp		2	
	17	877.1.039.1A	Tube		1	
	18	0000.61078	Complete oil tank		1	
	19	8000.68490	Spare cap		1	
	20	70700.6N02	Screw		1	
	21	539.4.003.1B	Switch		1	
	22	779.1.058.2A	Special screw		2	
	23	420.2.001.0A	Copper gasket		4	
	24	631.4.008.1A	Spare union		1	
	25	0664.39.741	Dust cover		1	
	26	613.4.021.1B	Pads pair		1	


NOTES	NO.	CODE NO.	DESCRIPTION	VALIDITY	Q.TY	
	27	619.4.001.2C	Rear brake line (METAL PLAITED)		1	
	28	0000.69056	Screw		2	
	29	611.4.005.2A	Rear brake caliper		1	
	30	612.4.008.1A	Dust seal		1	
	31	0000.39727	Spare bleed union		1	
	32	0000.48744	Spare pins and spring		1	
	33	799.1.083.1B	Spring		1	

CATALOGUE No:
ISSUED:915.1.096.1C
05 - 00CATALOGUE No:
ISSUED:915.1.096.1C
05 - 00

DRAWING **027** FRONT AND REAR WHEELS

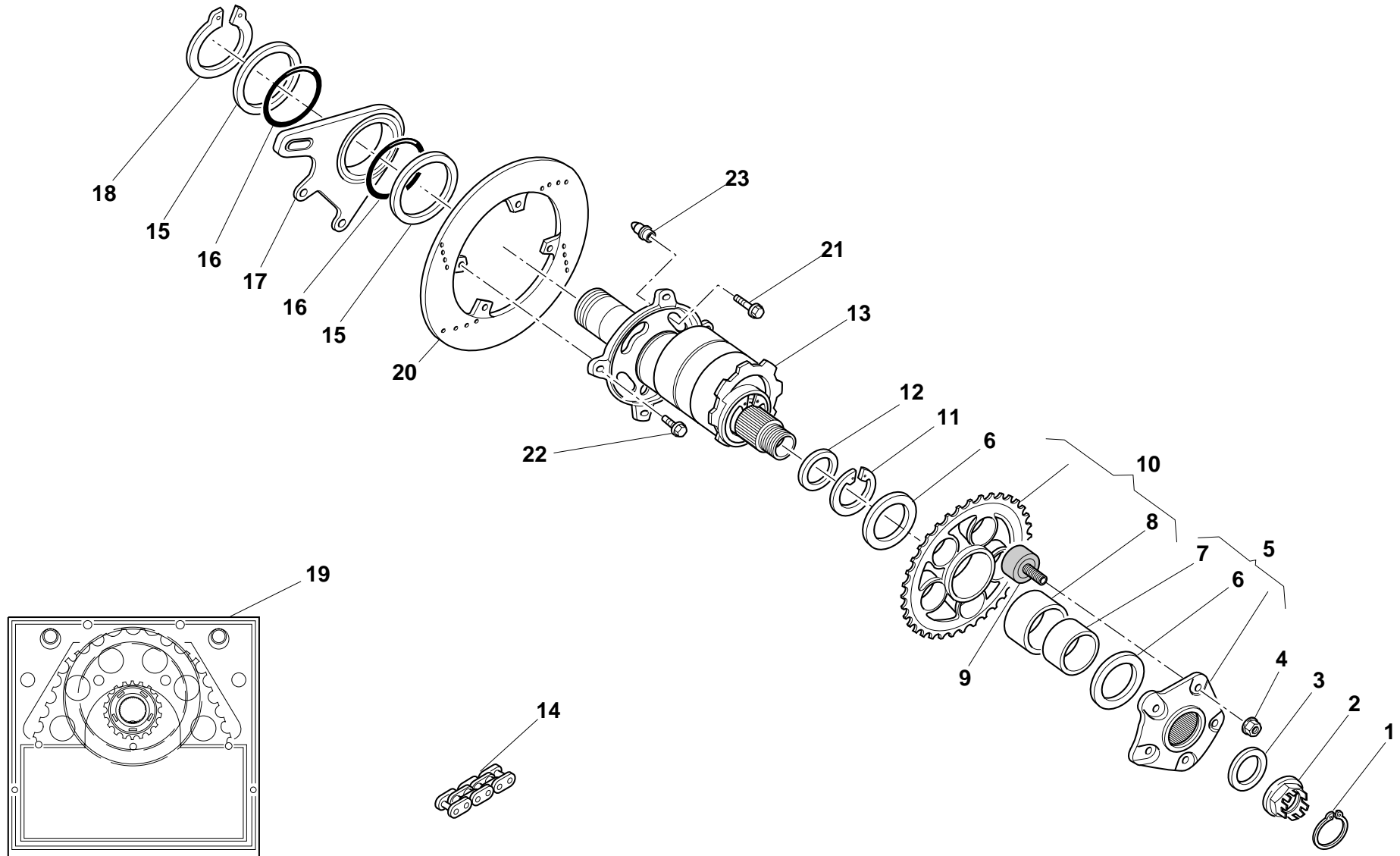


DRAWING **027** FRONT AND REAR WHEELS


NOTES	NO.	CODE NO.	DESCRIPTION	VALIDITY	Q.TY	
	1	748.1.014.1A	Nut		1	
	2	8000.70119	Washer		1	
	3	8000.74049	Speedometer transmission		1	
	4	771.5.721.2B	Screw		12	
	5	492.4.010.1A	Brake disc		2	
	6	0000.64471	Seal ring		1	
	7	8000.62648	Transmission capstan		1	
	8	75162.2566	Bearing		2	
	9	714.1.028.1A	Inner spacer		1	
	10	501.2.020.1AA	Front wheel rim		1	
	11	819.1.017.1A	Front wheel spindle		1	
	12	759.1.009.1A	Clip		1	
	13	750.1.019.1A	Nut		1	
	14	852.1.057.1A	Washer		1	
	15	714.1.027.1A	Washer		1	
	16	502.1.022.1AA	Rear wheel rim		1	
	17	0803.77.010	Valve		1	
	18	497.2.001.2A	Valve		1	
	19	699.2.064.1AB	Stand		1	
	20	919.1.001.2B	Motrocycle's canvas cover (RED)		1	

NOTES	NO.	CODE NO.	DESCRIPTION	VALIDITY	Q.TY	
-------	-----	----------	-------------	----------	------	---

DRAWING **028** REAR WHEEL PIN




DRAWING **028** REAR WHEEL PIN


NOTES	NO.	CODE NO.	DESCRIPTION	VALIDITY	Q.TY	
	1	759.1.008.1A	Clip		1	
	2	750.1.018.1A	L.H. nut		1	
	3	852.1.055.1A	Washer		1	
	4	748.4.024.1A	Nut		5	
	5	160.2.021.1B	Complete rear sprocket flange		1	
	6	852.1.058.2A	Washer		2	
	7	711.1.067.1A	Bush		1	
	8	712.1.018.1A	Bush		1	
	9	700.1.017.1A	Rubber cush drive hub		5	
	10	494.2.043.1A	Ring gear z=36		1	
	11	884.5.005.1A	Circlip		1	
	12	852.1.056.1A	Washer		1	
	13	819.2.039.2A	Hub		1	
	14	676.4.021.1A	Chain (94 Links)		1	
	15	852.1.059.1A	Washer		2	
	16	886.5.003.1A	O-Ring		2	
	17	825.1.009.1A	Caliper holder plate		1	
	18	884.5.004.1A	Circlip		1	
	19	676.2.024.1A	Final drive kit		1	
	20	492.4.011.1B	Rear brake disc		1	
	21	772.1.005.1A	Screw		4	
	22	771.5.266.2B	Screw		4	
	23	863.1.001.1A	Pin		4	

NOTES	NO.	CODE NO.	DESCRIPTION	VALIDITY	Q.TY	
-------	-----	----------	-------------	----------	------	---

DRAWING **029**

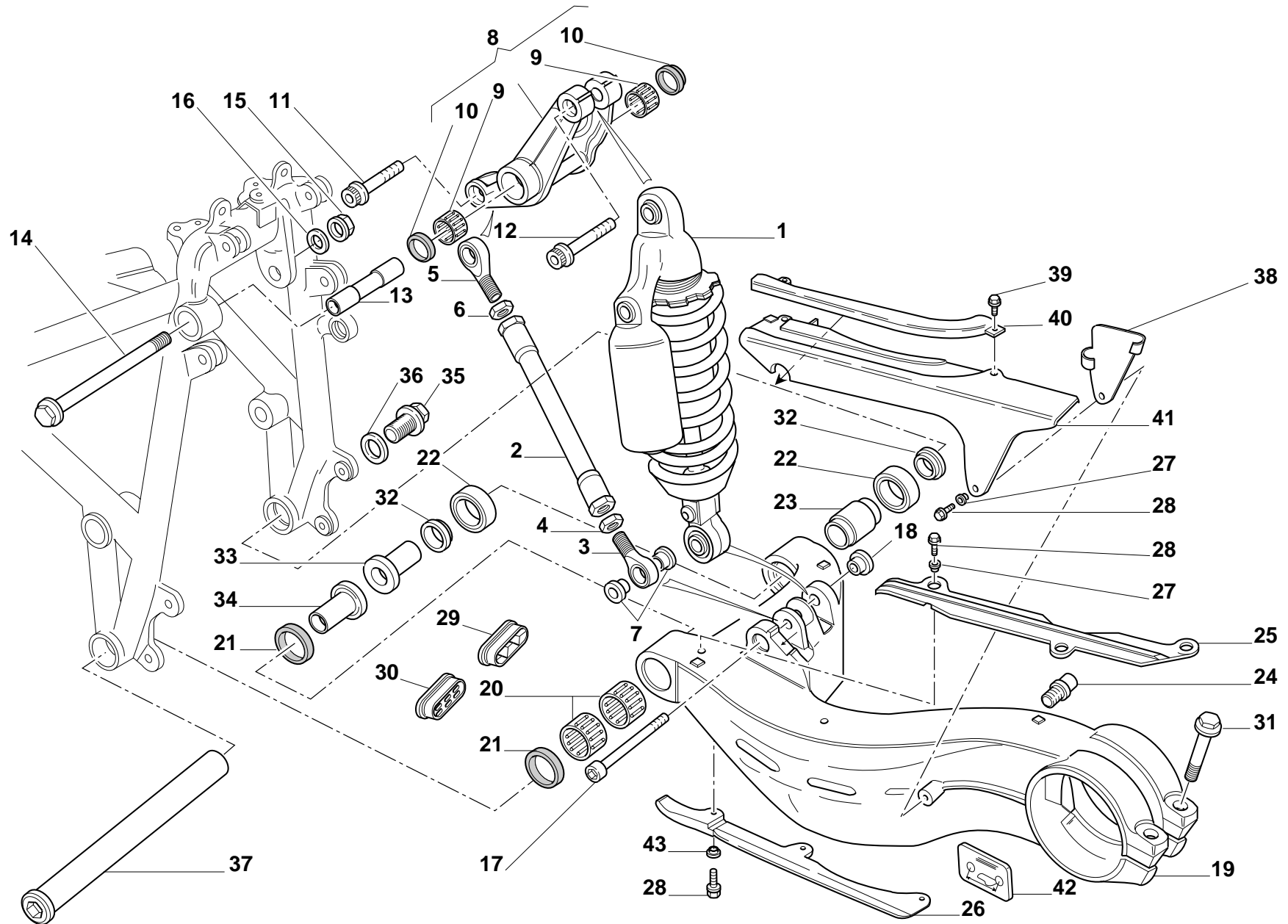
REAR FRAME-REAR FOOT RESTS

NOTES	NO.	CODE NO.	DESCRIPTION	VALIDITY	Q.TY	
	1	471.2.034.1A	Rear frame		1	
	2	8000.66308	Vibration damper pad		2	
	3	0364.99.020	Bush		4	
	4	8000.56443	Nut		8	
	5	777.5.038.2B	Screw		2	
	6	732.2.002.2A	Lock latch		1	
	7	529.1.008.1AB	Cat's eye (AMBER)		2	
	8	829.1.136.1A	Holder		1	
	9	852.1.095.1A	Nylon washer		3	
	10	486.1.038.2B	Panel (CARBON)		1	
	11	0000.07051	Fairlead		1	
	12	561.1.019.1A	Plate		1	
	13	0000.62700	Plate		1	
	14	8000.62726	Screw		2	
	15	741.1.011.1A	Clamp		4	
	16	8000.44240	Nut		4	
	17	772.5.024.1A	Screw		7	
	18	697.2.008.2C	Tool bag		1	
	19	913.7.057.1C	Owner's manual		1	
	20	598.2.023.1A	Seat lock		1	
	21	750.1.024.1A	Nut		1	
	22	747.1.005.1A	Nut		4	
	23	80C0.05893	Shim		8	
	24	772.1.016.1A	Screw		4	
	25	72237.0657	Self-tapping screw		3	
	26	760.4.003.1A	Hook		1	


NOTES	NO.	CODE NO.	DESCRIPTION	VALIDITY	Q.TY	
	27	732.1.005.1A	Helmet anti-theft wire		1	
	28	525.1.004.2A	Tail lamp		1	
	29	771.5.667.2B	Screw		2	
	30	8000.74504	Turn indicator		1	
	31	8000.74505	Turn indicator		1	
	32	8000.36726	Bulb		2	
	33	8000.74507	Cup		2	
	34	729905FN1	El-stop nut		2	
	35	60N115548	Washer		2	
	36	759.1.010.1A	Rubber		1	
	37	598.2.028.1A	Locks kit		1	
	38	8000.36230	Bulb		1	
	39	749.5.001.1A	Nut		4	
	40	852.5.001.1A	Washer		4	
	41	699.2.150.1A	Kit sticker		1	


CATALOGUE No:
ISSUED:*915.1.096.1C*
*05 - 00*CATALOGUE No:
ISSUED:*915.1.096.1C*
05 - 00

DRAWING **030** REAR SUSPENSION

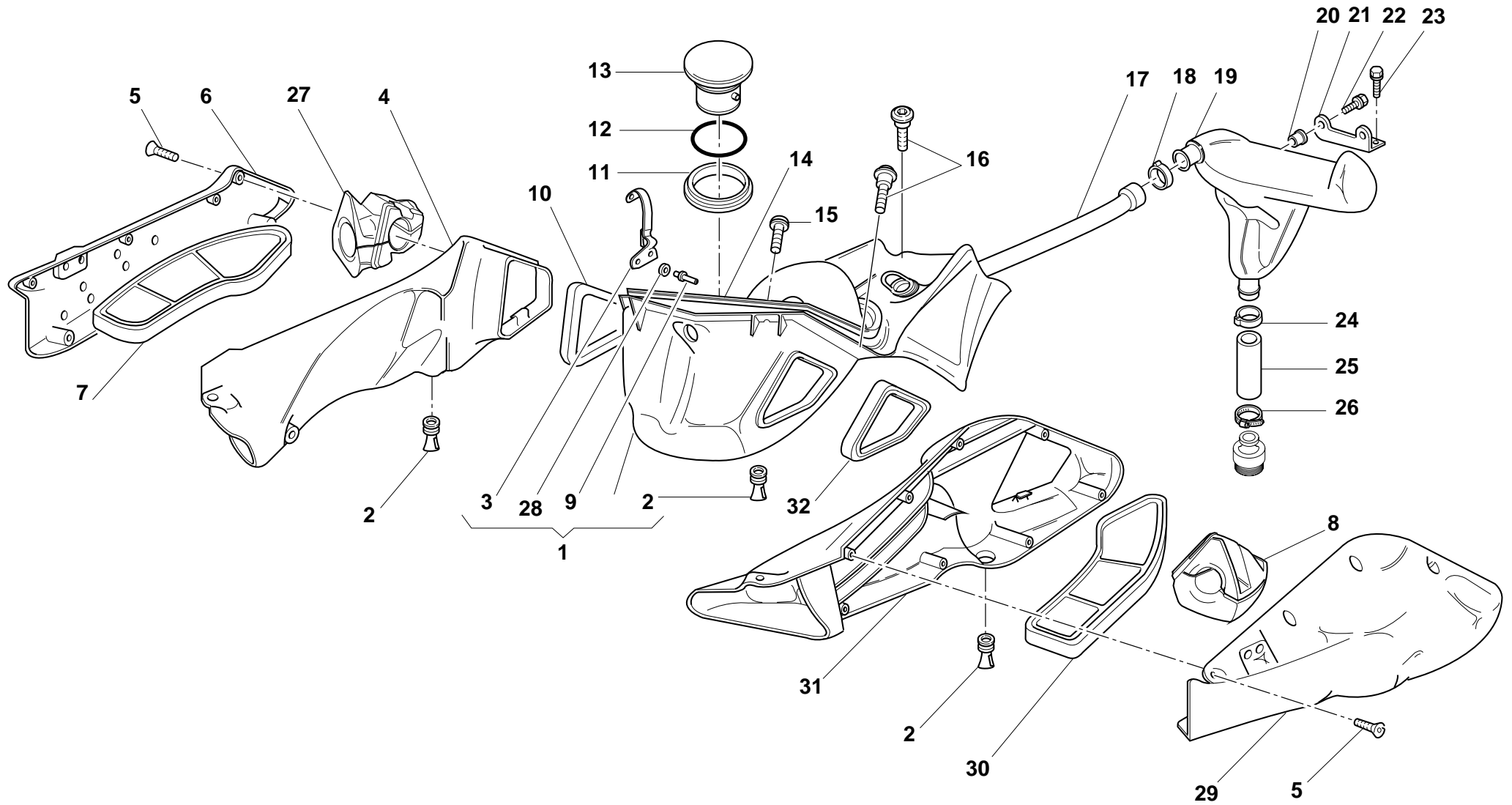


DRAWING **030** REAR SUSPENSION

NOTES	NO.	CODE NO.	DESCRIPTION	VALIDITY	Q.TY	
	1	365.2.016.1B	Shock absorber		1	
	2	875.1.022.1A	Tie rod		1	
	3	76401.0009	Ball joint		1	
	4	750.1.022.1A	Nut		1	
	5	76401.0010	Ball joint		1	
	6	750.1.021.1A	Nut		1	
	7	710.1.025.1A	Bush		4	
	8	372.2.004.1A	Rocker assembly		1	
	9	701.4.004.1A	Needle bearing		2	
	10	930.4.011.1A	Seal ring		2	
	11	771.5.937.2B	Screw		1	
	12	771.5.938.2B	Screw		1	
	13	715.1.003.1A	Spacer		1	
	14	772.1.002.1A	Screw		1	
	15	729910FF1	Nut		1	
	16	0023.37.153	Washer		1	
	17	771.1.003.1A	Screw		1	
	18	710.1.026.1A	Bush		1	
	19	370.1.014.1A	Swingarm		1	
	20	76400.0001	Needle bearing		2	
	21	0412.02.295	Seal ring		2	
	22	75162.2566	Bearing		2	
	23	713.1.078.1A	Inner spacer		1	
	24	832.1.003.1A	Pin		1	
	25	447.1.019.1A	Upper chain sliding shoer		1	
	26	447.1.020.1A	Lower chain sliding shoe		1	


NOTES	NO.	CODE NO.	DESCRIPTION	VALIDITY	Q.TY	
	27	8000.62653	Spacer		5	
	28	8000.62726	Screw		8	
	29	872.1.016.1A	Cap		1	
	30	872.1.017.1A	Cap		1	
	31	772.1.004.2A	Screw		2	
	32	712.1.019.1A	Outer spacer		2	
	33	710.1.023.1A	Bush		1	
	34	710.1.024.1A	Bush		1	
	35	772.1.003.1A	Screw		1	
	36	852.1.068.1A	Washer		1	
	37	369.1.003.1A	Swingarm pivot		1	
	38	830.1.127.1A	Bracket		1	
	39	772.5.025.1A	Screw		2	
	40	460.1.040.1B	Protection (CARBON)		1	
	41	446.1.002.1B	Chain guard (CARBON)		1	
	42	433.1.167.1A	Chain adjustment sticker		1	
	43	716.1.044.1A	Spacer		3	

DRAWING **031** AIR INDUCTION-OIL VENT



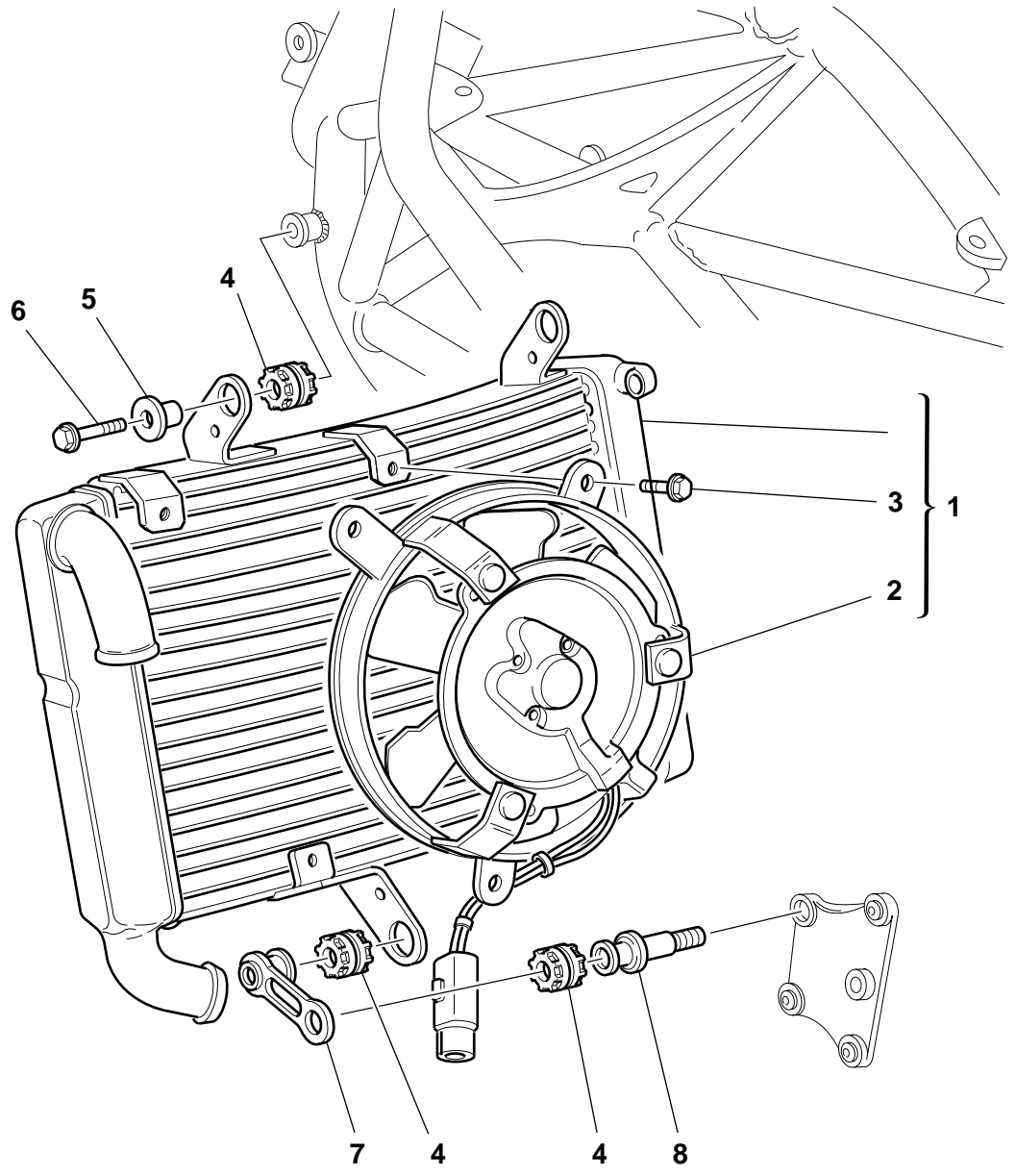
DRAWING **031** AIR INDUCTION-OIL VENT

NOTES	NO.	CODE NO.	DESCRIPTION	VALIDITY	Q.TY	
	1	442.2.009.1B	Air box (CARBON)		1	
	2	0000.48971	Rubber pad		3	
	3	850.2.002.1A	Hook		4	
	4	442.1.015.1B	R.H. air filter box		1	
	5	774.5.002.1B	Screw		16	
	6	246.1.005.1A	R.H. filter case cover		1	
	7	426.2.003.1A	R.H. air filter		1	
	8	812.1.025.1A	L.H. restriction		1	
	9	736.4.013.1B	Shear rivet		8	
	10	788.1.045.1A	R.H. gasket		1	
	11	791.1.017.2A	Gasket		2	
	12	886.5.004.1A	O-ring		2	
	13	802.1.009.1A	Air funnel		2	
	14	791.1.041.1A	Gasket		1	
	15	772.1.008.1A	Special screw		2	
	16	772.1.017.1A	Special screw		4	
	17	876.2.054.1A	Breather pipe		1	
	18	8000.50450	Clamp		1	
	19	585.1.017.1A	Oil breather tank		1	
	20	8000.63150	Insert		2	
	21	827.1.099.2A	Plate		1	
	22	8A00.67997	Screw		2	
	23	772.5.025.1A	Screw		2	
	24	8000.50454	Clamp		1	
	25	876.1.053.1A	Breather pipe		1	
	26	741.5.027.1B	Clamp		1	


NOTES	NO.	CODE NO.	DESCRIPTION	VALIDITY	Q.TY	
	27	812.1.024.1A	R.H. restriction		1	
	28	852.1.075.1A	Washer		8	
	29	246.1.004.1A	L.H. filter case cover		1	
	30	426.2.002.1A	L.H. air filter		1	
	31	442.1.014.1B	L.H. air filter box		1	
	32	788.1.044.1A	L.H. gasket		1	

DRAWING 032

WATER RADIATOR ASSY



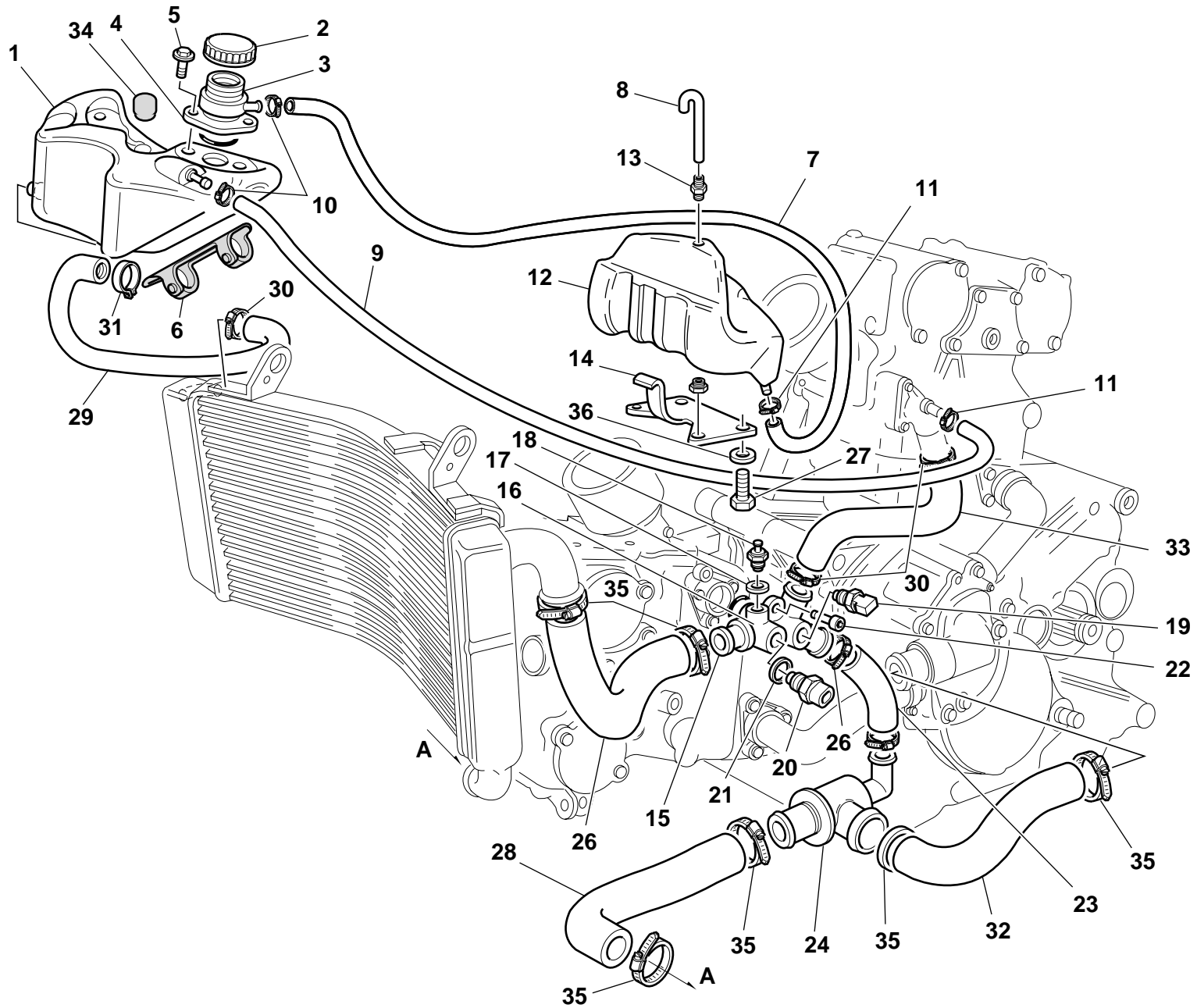
DRAWING **032** WATER RADIATOR ASSY

NOTES	NO.	CODE NO.	DESCRIPTION	VALIDITY	Q.TY	
	1	548.4.008.1A	Water radiator		1	
	2	550.4.007.1A	Electric fan		1	
	3	772.5.025.1A	Screw		3	
	4	764.1.024.1A	Vibration damper pad		4	
	5	8000.62652	Spacer		1	
	6	8000.62729	Screw		1	
	7	830.1.077.1A	Holder		1	
	8	779.1.059.1A	Special screw		1	

NOTES	NO.	CODE NO.	DESCRIPTION	VALIDITY	Q.TY	
-------	-----	----------	-------------	----------	------	---


DRAWING 033

COOLING CIRCUIT

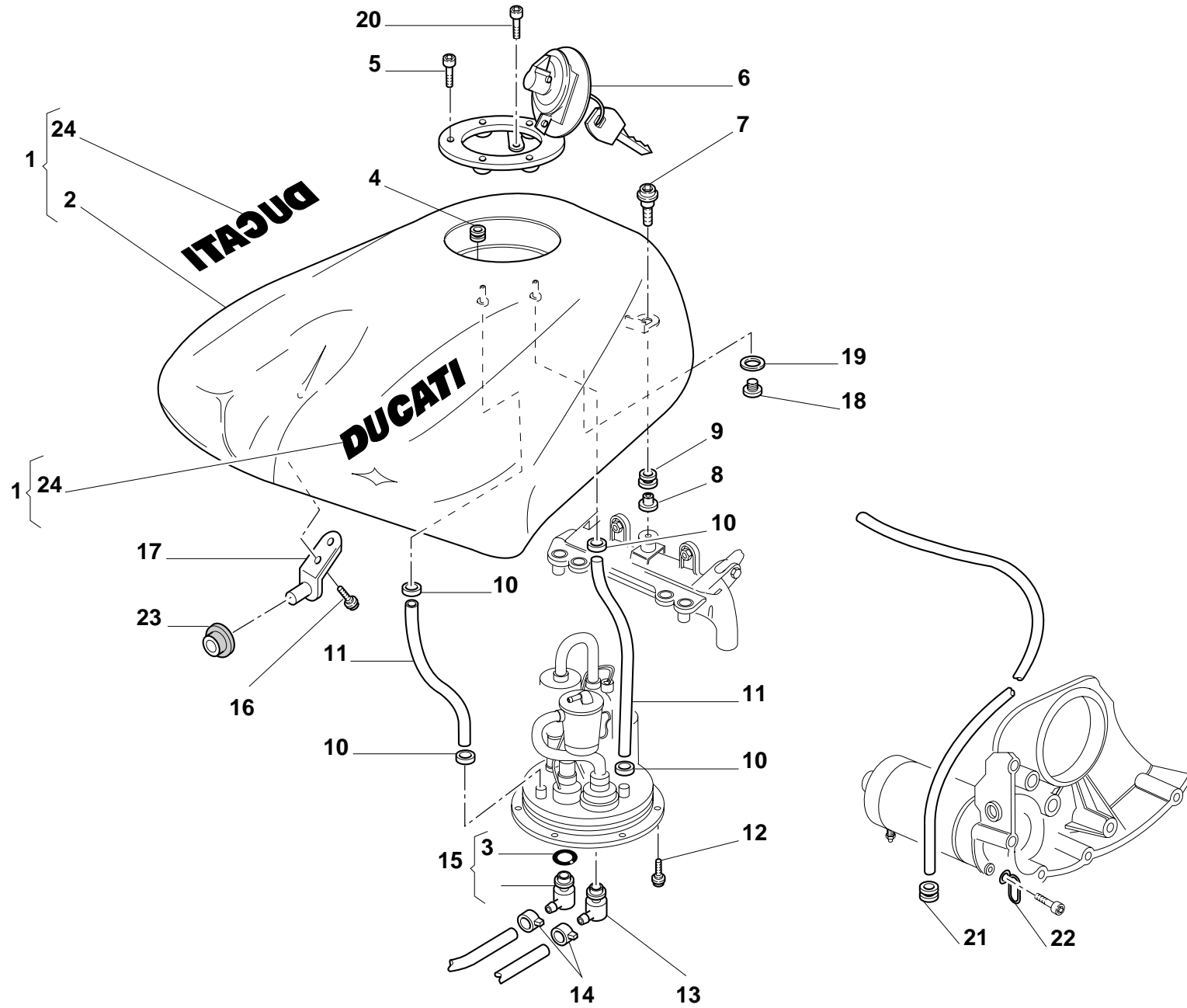


DRAWING **033** COOLING CIRCUIT


NOTES	NO.	CODE NO.	DESCRIPTION	VALIDITY	Q.TY	
	1	585.1.011.1A	Water tank		1	
	2	893.1.004.1A	Tank cap		1	
	3	668.1.026.1B	Filler		1	
	4	93823.0119	O-ring		1	
	5	772.5.025.1A	Screw		2	
	6	741.1.011.1A	Clamp		2	
	7	876.1.058.1A	Tube		1	
	8	876.1.059.1A	Breather pipe		1	
	9	876.1.052.1A	Tube		1	
	10	741.4.001.1A	Clamp		2	
	11	741.4.064.1A	Clamp		2	
	12	585.1.012.2A	Water tank		1	
	13	779.1.121.1A	Union		1	
	14	829.1.106.1A	Holder		1	
	15	814.1.037.1A	Union		1	
	16	93823.2087	O-ring		1	
	17	420.2.001.0A	Copper gasket		1	
	18	8000.53249	Thermistor		1	
	19	552.4.011.1A	Water temperature sensor		1	
	20	552.4.008.1A	Thermal switch		1	
	21	0593.68.505	Copper gasket		1	
	22	60N107335	Screw		3	
	23	800.1.036.1A	Hose		1	
	24	553.4.003.1A	Thermostat		1	
	25	741.5.027.1B	Clamp		2	
	26	800.1.038.1A	Hose		1	

NOTES	NO.	CODE NO.	DESCRIPTION	VALIDITY	Q.TY	
	27	707006N02	Screw		2	
	28	800.1.035.1A	Cooler/thermostat hose		1	
	29	800.1.040.1A	Hose		1	
	30	741.4.002.1A	Clamp		3	
	31	8000.50442	Clamp		1	
	32	800.1.037.1A	Thermostat/pump hose		1	
	33	800.1.039.1A	Union/head hose		1	
	34	866.1.021.1A	Rubber pad		1	
	35	741.4.025.1A	Clamp		6	
	36	734406N01	Washer		2	

DRAWING 034 FUEL TANK

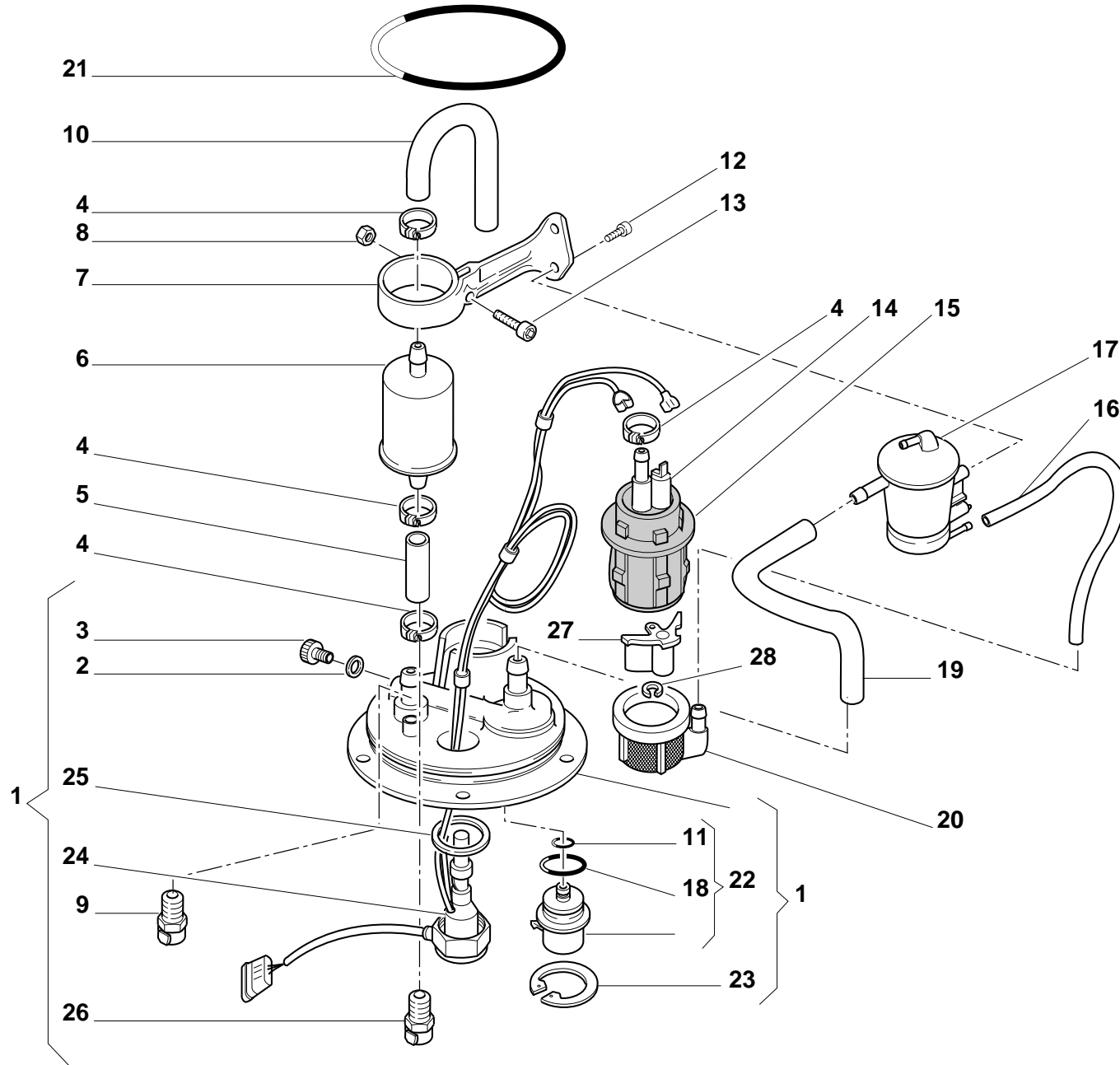


DRAWING **034** FUEL TANK

NOTES	NO.	CODE NO.	DESCRIPTION	VALIDITY	Q.TY	
	1	586.1.025.3CA	Fuel tank (RED)		1	
	2	586.1.025.0AA	Fuel tank (unpainted)		1	
	3	0400.17.030	O-ring		2	
	4	791.1.012.1A	Gasket		1	
	5	771.5.045.7E	Screw		3	
	6	895.4.001.2A	Tank cap		1	
	7	771.1.004.1A	Special screw		1	
	8	716.1.021.2A	Spacer		1	
	9	700.1.019.1A	Rubber pad		1	
	10	741.4.013.1B	Clamp		4	
	11	590.1.057.1A	Exhaust pipe		2	
	12	772.1.007.1A	Special screw		3	
	13	588.4.011.1A	Quick-coupling union		1	
	14	287.4.024.1B	Clamp		2	
	15	588.4.012.1A	Quick-coupling union		1	
	16	8000.62726	Screw		2	
	17	587.1.023.1A	Front connection		1	
	18	8000.77921	Screw		1	
	19	420.2.001.0A	Copper gasket		1	
	20	771.5.040.2B	Screw		1	
	21	8000.18048	Rubber pad		1	
	22	829.1.129.1A	Clip		1	
	23	700.1.018.1A	Rubber pad		1	
	24	435.1.090.1AA	Sticker "DUCATI" (RED)		2	


NOTES	NO.	CODE NO.	DESCRIPTION	VALIDITY	Q.TY	
-------	-----	----------	-------------	----------	------	---

DRAWING 034.1 FUEL TANK



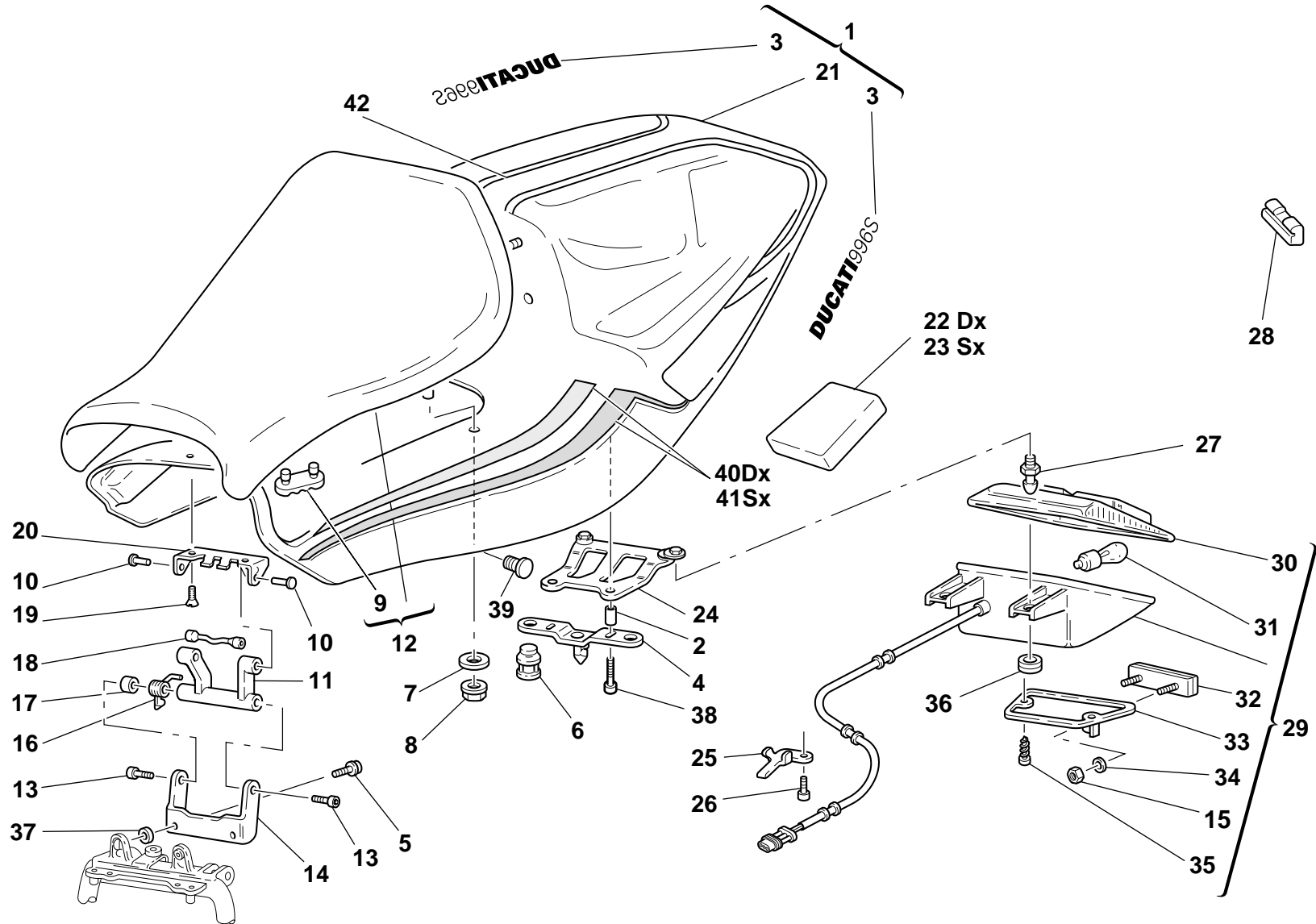
DRAWING **034.1** FUEL TANK

NOTES	NO.	CODE NO.	DESCRIPTION	VALIDITY	Q.TY	
	1	160.9.037.1A	Flange		1	
	2	420.2.001.0A	Copper gasket		1	
	3	780.1.008.1A	Cap		1	
	4	741.4.064.1A	Clamp		4	
	5	590.1.056.1A	Filter/pump pipe		1	
	6	425.4.004.1B	Fuel filter		1	
	7	829.1.104.1A	Holder		1	
	8	0419.50.115	Hexagon nut		1	
	9	588.4.010.1A	End section		1	
	10	590.1.055.1A	Tube		1	
	11	886.4.021.1A	O-ring		1	
	12	72237.0974	Self-tapping screw		2	
	13	0419.50.045	Screw		1	
	14	430.4.004.1A	Fuel pump		1	
	15	829.1.077.2B	Pump holder		1	
	16	590.1.059.1A	Tube		1	
	17	427.4.002.1A	Air separator		1	
	18	886.4.022.1A	O-ring		1	
	19	590.1.058.1A	Tube		1	
	20	427.1.003.1A	Fuel pump filter		1	
	21	886.5.001.1A	O-Ring		1	
	22	283.4.003.1A	Pressure regulator		1	
	23	73503.3449	Circlip		1	
	24	592.1.007.3B	Tank wiring		1	
	25	789.1.001.1A	Gasket		1	
	26	588.4.009.1A	End section		1	

NOTES	NO.	CODE NO.	DESCRIPTION	VALIDITY	Q.TY	
	27	484.1.029.1B	Manifold		1	
	28	850.4.031.1A	Snap ring		1	


DRAWING 035

SEAT




DRAWING **035** SEAT

NOTES	NO.	CODE NO.	DESCRIPTION	VALIDITY	Q.TY	
	1	483.2.028.1AA	Rear fairing		1	
	2	713.1.109.1A	Spacer		2	
	3	438.1.105.1DA	Sticker "DUCATI996S" (RED)		2	
	4	829.2.004.1A	Holder		1	
	5	8H00.67545	Screw		2	
	6	866.1.020.1A	Rubber pad		2	
	7	60N115548	Washer		4	
	8	8000.56443	Nut		4	
	9	866.1.019.1A	Rubber pad		4	
	10	821.1.057.1A	Pin		2	
	11	455.1.005.1A	Linkage		1	
	12	595.1.027.1A	Seat		1	
	13	60N102482	Screw		2	
	14	827.1.085.1A	Bracket		1	
	15	749.4.030.1A	Nut		2	
	16	799.1.057.1A	Spring		1	
	17	856.1.043.1A	Spacer		1	
	18	764.1.014.1A	Rubber pad		1	
	19	777.5.234.2B	Screw		2	
	20	827.1.086.1A	Bracket		1	
	21	483.3.019.2A	Rear fairing (unpainted)		1	
	22	866.1.023.1A	R.H. pad		1	
	23	866.1.024.1A	L.H. pad		1	
	24	827.1.108.1A	Plate		1	
	25	827.1.111.1A	Plate		1	
	26	470412	Screw		1	

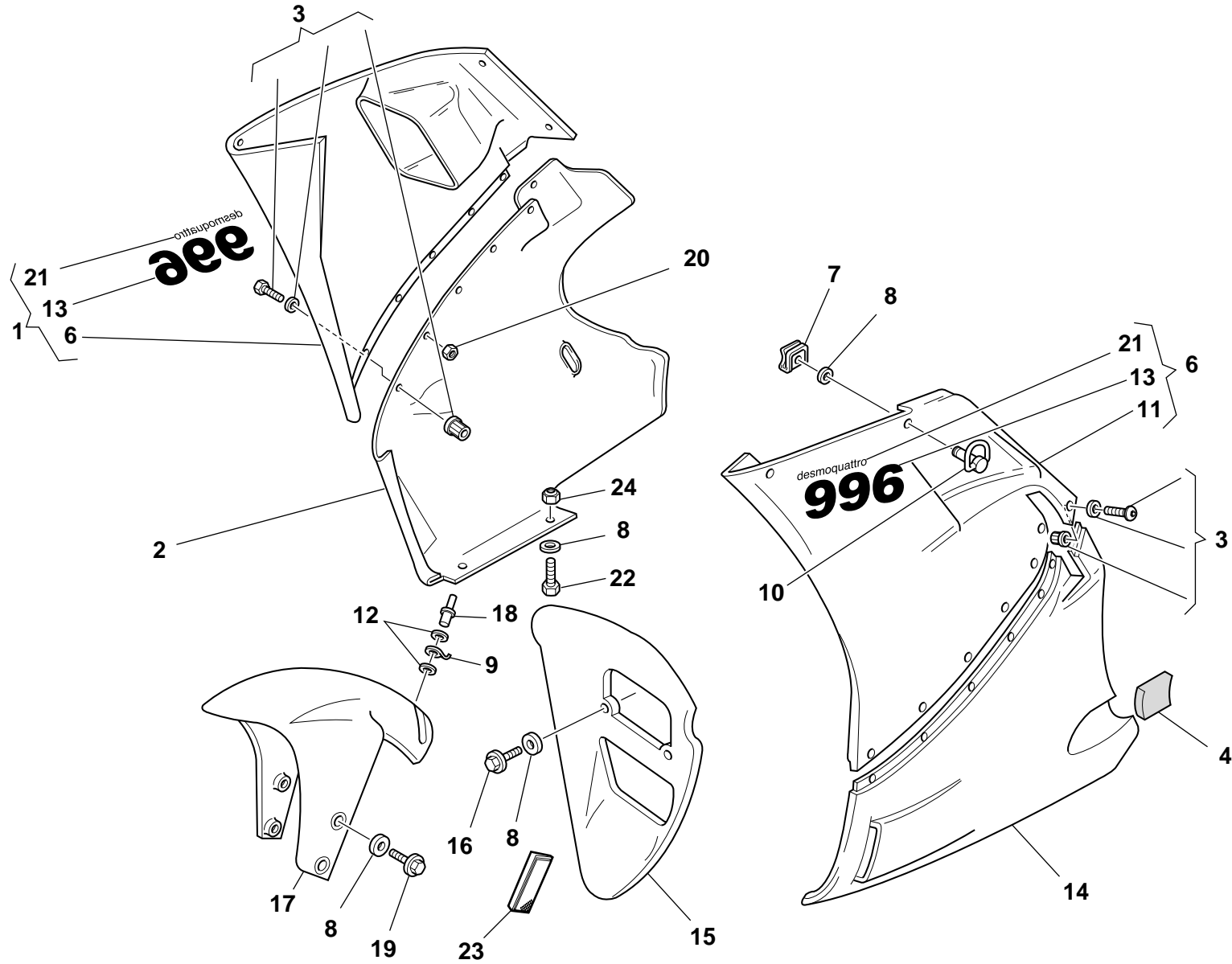
NOTES	NO.	CODE NO.	DESCRIPTION	VALIDITY	Q.TY	
	27	832.1.008.1A	Pin		2	
	28	866.1.018.1A	Rubber pad		1	
	29	525.4.005.3A	Tail lamp		1	
	30	8000.72911	Lens		1	
	31	390.4.003.1A	Two-light bulb 12V 5/21W		2	
	32	529.1.006.1A	Cat's eye		1	
	33	829.1.130.1A	Holder		1	
	34	852.5.001.1A	Washer		2	
	35	774.5.004.1A	Screw		2	
	36	764.1.024.1A	Vibration damper pad		2	
	37	713.1.099.1A	Spacer		2	
	38	779.5.009.1A	Screw		2	
	39	0659.03.810	Plastic rivet		4	
	40	436.1.023.1B	R.H. sticker		1	
	41	436.1.024.1B	L.H. sticker		1	
	42	436.1.036.1AA	Sticker		2	

DRAWING **036** FAIRING

NOTES	NO.	CODE NO.	DESCRIPTION	VALIDITY	Q.TY	
	1	481.2.012.1DA	Headlight fairing (RED)		1	
	2	481.3.012.1A	Headlight fairing (unpainted)		1	
	3	779.1.137.1A	Special screw		2	
	4	523.1.004.1A	R.H. rear-view mirror		1	
	5	713.1.089.1A	Gasket		2	
	6	699.2.072.1A	Fairing fastening kit		9	
	7	487.1.011.1A	Windshield		1	
	8	0000.55698	Screw		2	
	9	829.2.123.1AB	R.H. mirror holder		1	
	10	8000.62726	Screw		2	
	11	8000.66336	Spring		4	
	12	736.4.012.1A	Shear rivet		8	
	13	829.2.122.1AB	L.H. mirror holder		1	
	14	523.1.003.1A	L.H. rear-view mirror		1	
	15	0364.99.020	Bush		2	
	16	0000.56391	Nylon washer		2	
	17	435.1.099.1BA	R.H. sticker		1	
	18	435.1.100.1BA	L.H. sticker		1	
	19	436.1.035.1AA	Sticker		1	

NOTES	NO.	CODE NO.	DESCRIPTION	VALIDITY	Q.TY	
-------	-----	----------	-------------	----------	------	---

DRAWING 036.1 FAIRING

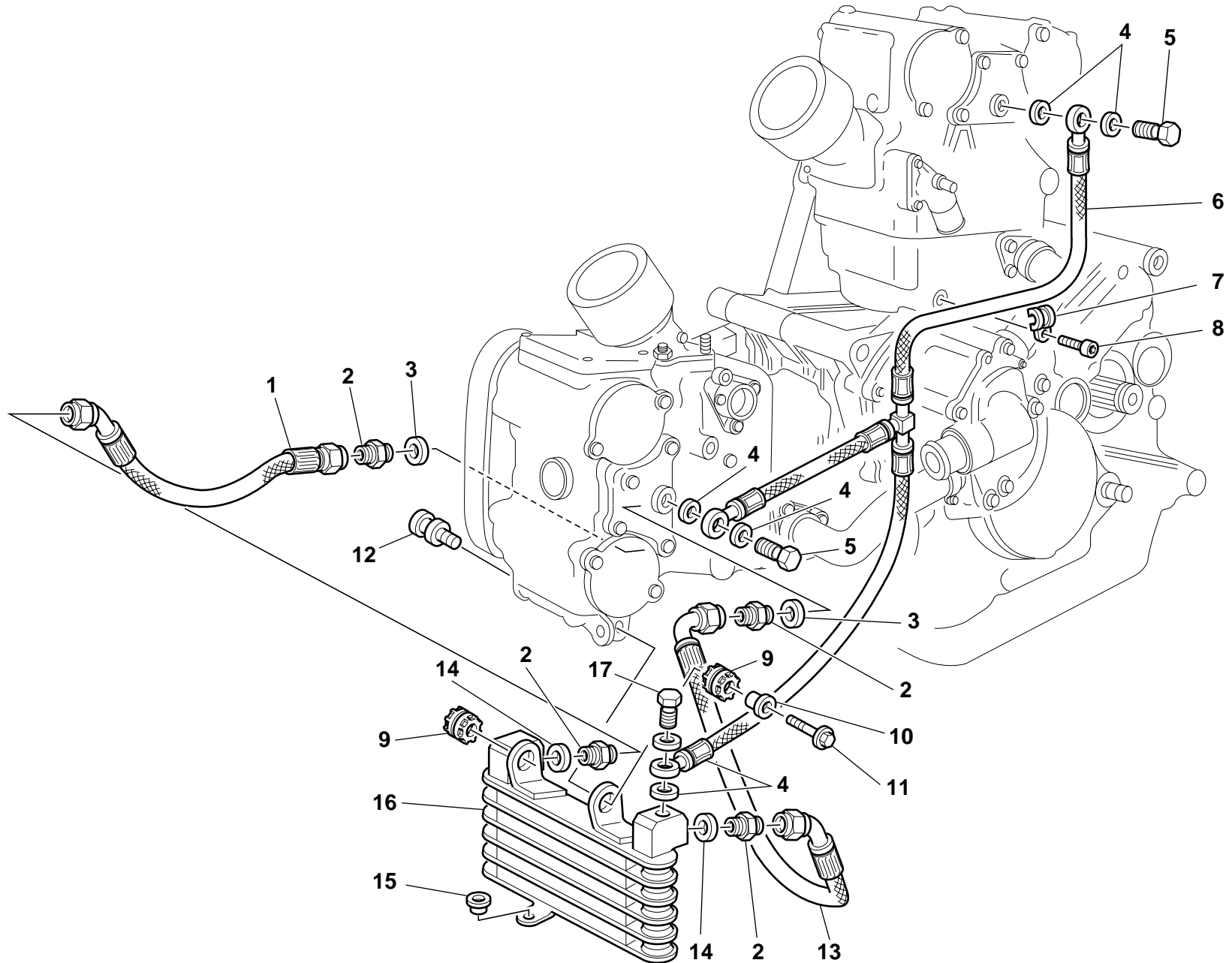


DRAWING **036.1** FAIRING


NOTES	NO.	CODE NO.	DESCRIPTION	VALIDITY	Q.TY	
	1	480.1.040.1DA	R.H. upper half-fairing (RED)		1	
	2	480.1.041.0A	R.H. lower half-fairing (unpainted)		1	
	2	480.1.041.1A	R.H. lower half-fairing (RED)		1	
	3	699.2.072.1A	Fairing fastening kit		14	
	4	460.1.067.1A	Panel		1	
	5	480.3.040.1A	R.H. upper half-fairing (unpainted)		1	
	6	480.1.039.1DA	L.H. upper half-fairing (RED)		1	
	7	850.4.019.1A	Quik fastening		10	
	8	856.1.042.1A	Nylon washer		16	
	9	850.1.003.1A	Clip		1	
	10	850.4.023.1A	Long pin		10	
	11	480.1.039.0A	L.H. upper half-fairing (unpainted)		1	
	12	852.1.075.1A	Washer		2	
	13	437.1.102.1AA	Sticker 996 (RED)		2	
	14	480.1.042.1BA	L.H. lower half-fairing (RED)		1	
	14	480.3.042.1B	L.H. lower half-fairing (UNPAINTED)		1	
	15	484.1.019.1B	Manifold (CARBON)		1	
	16	772.5.025.1A	Screw		2	
	17	564.1.018.1B	Front mudguard (CARBON)		1	
	18	736.4.013.1B	Shear rivet		1	
	19	772.5.024.1A	Screw		4	
	20	764.1.017.1A	Vibration damper pad		1	
	21	437.1.101.1AA	Sticker"desmoquattro" (RED)		2	
	22	772.5.024.1A	Screw		2	
	23	529.1.008.1AB	Cat's eye (AMBER)		2	
	24	0056.91.050	El-stop nut		2	

NOTES	NO.	CODE NO.	DESCRIPTION	VALIDITY	Q.TY	
-------	-----	----------	-------------	----------	------	---

DRAWING **037** OIL COOLER



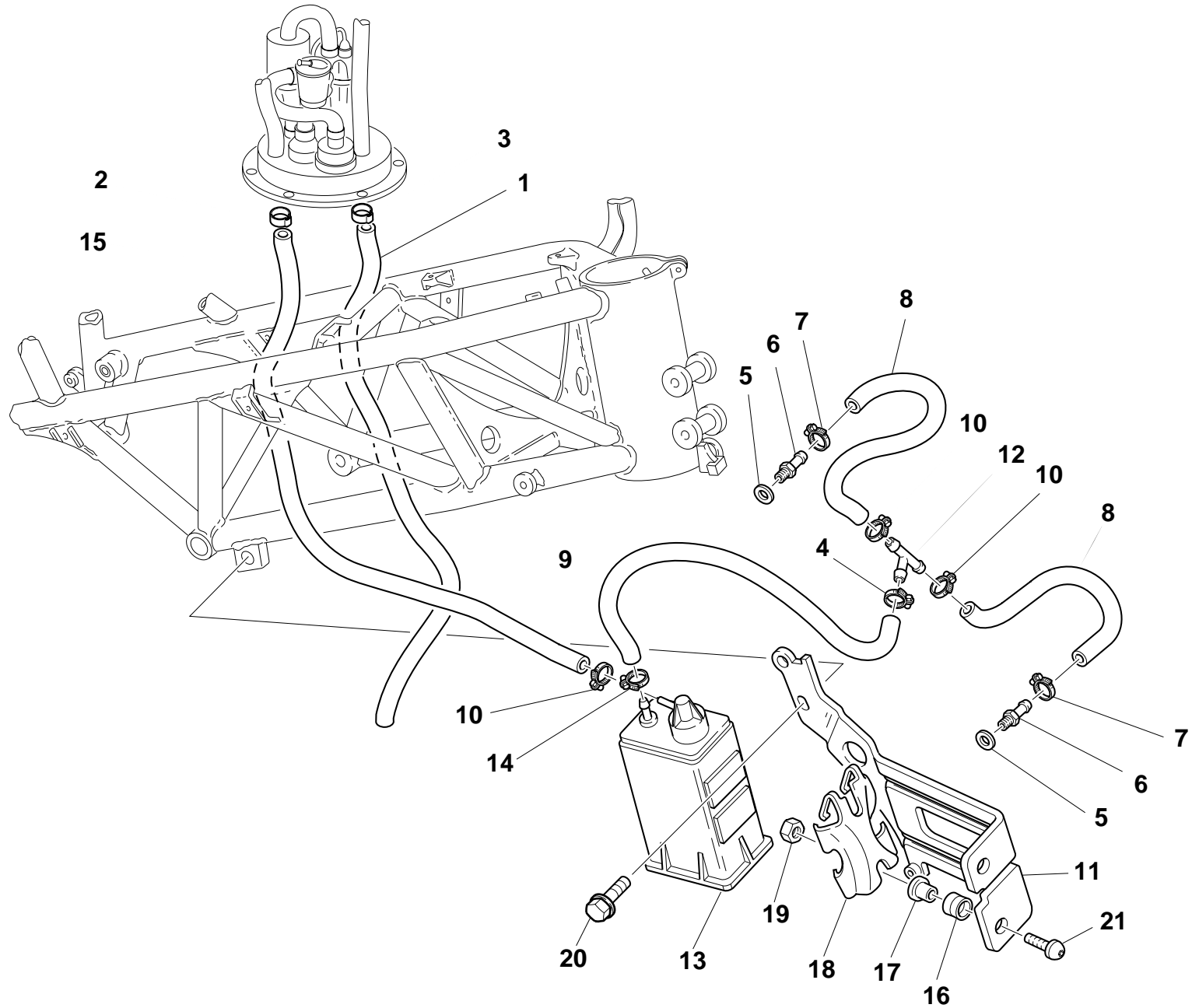
DRAWING **037** OIL COOLER

NOTES	NO.	CODE NO.	DESCRIPTION	VALIDITY	Q.TY	
	1	549.1.008.1A	Oil return pipe		1	
	2	815.1.005.1A	Nipple		4	
	3	420.2.006.4A	Aluminium gasket		2	
	4	787.1.005.1A	Copper gasket		4	
	5	779.1.086.1B	Special screw		2	
	6	875.1.044.2A	Oil delivery pipe		1	
	7	741.4.033.1A	Clamp		1	
	8	60N102505	Screw		1	
	9	764.1.024.1A	Vibration damper pad		2	
	10	8000.62652	Spacer		1	
	11	8000.62729	Screw		1	
	12	420.2.001.0A	Copper gasket		2	
	13	549.1.007.1A	Oil delivery pipe		1	
	14	220.2.017.6A	Aluminium gasket		2	
	15	764.1.022.1A	Vibration damper pad		2	
	16	548.4.012.1A	Oil cooler		1	
	17	779.1.058.1A	Special screw		1	
	18	779.1.083.1A	Special screw		1	


NOTES	NO.	CODE NO.	DESCRIPTION	VALIDITY	Q.TY	
-------	-----	----------	-------------	----------	------	---

DRAWING 038

FUEL INFEED



DRAWING **038** FUEL INFEED

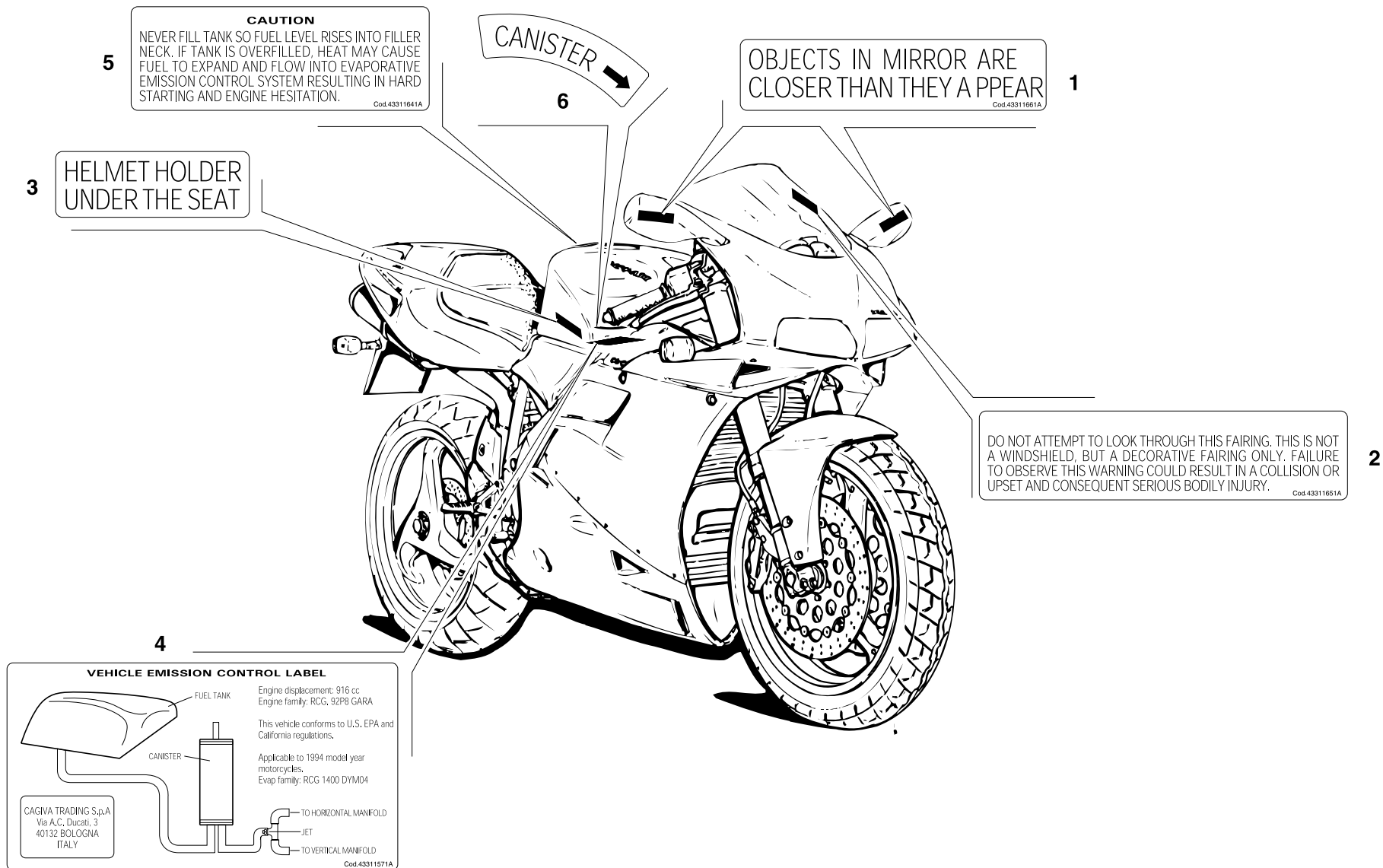
NOTES	NO.	CODE NO.	DESCRIPTION	VALIDITY	Q.TY	
	1	590.1.095.1A	Breather pipe		1	
	2	741.4.057.1A	Clamp		1	
	3	741.4.043.1A	Clamp		1	
	4	741.4.059.1A	Clamp		1	
	5	0250.70.223	Aluminium gasket		2	
	6	814.1.091.2A	Union		2	
	7	741.4.013.1B	Clamp		2	
	8	590.1.111.1A	Fuel pipe		2	
	9	590.1.176.1A	Fuel pipe		1	
	10	741.4.063.1A	Clamp		1	
	11	827.1.185.1A	Plate		1	
	12	0361.98.850	Shunt valve		1	
	13	426.1.007.1A	CANISTER filter		1	
	14	741.4.058.1A	Clamp		1	
	15	590.1.110.1A	Tube		1	
	16	764.1.029.1A	Rubber pad		2	
	17	716.1.043.1A	Spacer		2	
	18	827.1.157.1A	Plate		1	
	19	763106N01	El-stop nut		3	
	20	8000.62726	Screw		1	
	21	0000.55698	Screw		2	

NOTES	NO.	CODE NO.	DESCRIPTION	VALIDITY	Q.TY	
-------	-----	----------	-------------	----------	------	---


DRAWING

039

MARKING PLATES

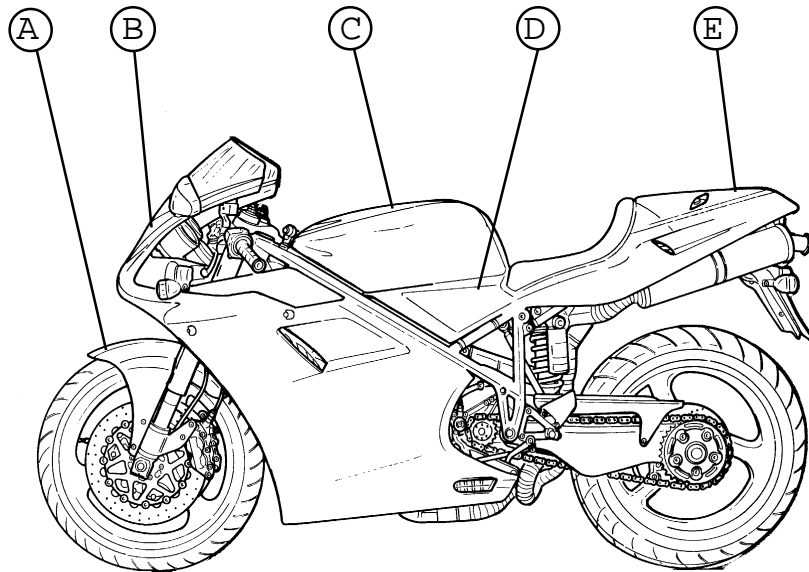


DRAWING **039** MARKING PLATES

NOTES	NO.	CODE NO.	DESCRIPTION	VALIDITY	Q.TY	
	1	433.1.166.1A	Label		2	
	2	433.1.165.1A	Sticker		1	
	3	433.1.170.1A	Sticker		1	
	4	432.1.300.1A	Sticker		1	
	5	433.1.164.1A	Sticker		1	
	6	433.1.172.1A	Sticker		1	

NOTES	NO.	CODE NO.	DESCRIPTION	VALIDITY	Q.TY	
-------	-----	----------	-------------	----------	------	---

PAINTS



- A Frontfender
- B Headlight fairing
- C Fuel tank
- D Airbox
- E Seat

Colore	Codice	Codice	Codice
Paint	Code	Code	Code
Vernis	Code	Code	Code
Slacken	Code	Code	Code
Lacas	Codice	Codice	Codice

"Rosso Anniversary DUCATI"

473.101

INDEX

CODE No.	Drwg.	POS. N.	CODE No.	Drwg.	POS. N.	CODE No.	Drwg.	POS. N.	CODE No.	Drwg.	POS. N.	CODE No.	Drwg.	POS. N.
389.4.013.1A	18	21	0000.79672	21	10	0400.29.040	8	14	0660.50.020	12	8	0797.72.068	17.1	3
.....	13	9	0000.79673	21	3	0400.29.125	2	34	0664.39.741	26	25	0797.72.068	18	4
.....	13	11	0011.52.010	10	21	0400.29.126	2	34	0665.49.680	5	8	0797.72.068	21	24
0000.07051	29	11	0011.52.010	11	21	0400.49.240	11	14	0670.16.145	3	7	0799.13.110	2	27
0000.33552	24	20	0023.37.153	30	16	0400.49.240	5	13	0670.16.150	3	3	0803.77.010	27	17
0000.39727	26	31	0056.91.050	36.1	24	0412.02.295	30	21	0670.16.150	3	19	0905.49.960	9	20
0000.44099	18	6	0124.40.050	12	9	0419.50.045	34.1	13	0670.16.163	3	11	112.1.007.2BA	6	8
0000.44099	19	13	0124.40.060	8	15	0419.50.115	34.1	8	0670.16.164	3	11	112.1.007.2BB	6	8
0000.48744	26	32	0150.70.120	5	17	0504.03.085	2	5	0670.16.164	3	15	117.1.001.2A	4	29
0000.48971	31	2	0150.70.120	9	28	051.2.001.1A	1	19	0670.16.165	3	15	117.1.025.1A	26	15
0000.55698	19	16	0150.92.280	2	5	0593.68.505	33	21	0670.16.170	3	26	117.1.030.1A	23	24
0000.55698	36	8	0214.07.350	2	22	0619.47.030	6	12	0670.16.171	3	26	117.2.030.1A	23	27
0000.55698	38	21	0250.70.223	15	4	0619.49.240	7	12	0670.16.184	3	15	120.2.053.3A	7	10
0000.56391	36	16	0250.70.223	38	5	0619.50.065	12	17	0670.16.185	3	15	121.1.047.1A	7	3
0000.56750	20	14	0251.47.050	3	1	0647.29.040	12	15	0670.49.310	9	26	121.1.048.1A	7	2
0000.56803	17	17	0251.47.054	3	1	0659.03.810	35	39	0670.49.910	9	21	121.2.028.1A	7	4
0000.59056	23	17	0272.91.090	2	8	0659.16.555	4	1	0670.92.010	10	24	122.2.048.1A	7	1
0000.59056	26	5	0361.98.850	38	12	0660.13.045	2	15	0675.03.210	1	2	140.1.001.2A	15	1
0000.61078	24	12	0364.99.020	17.1	7	0660.13.060	2	19	0675.49.540	15	27	146.2.018.1A	6	1
0000.61078	26	18	0364.99.020	29	3	0660.13.070	2	13	0675.49.540	5	24	147.1.014.1A	8	10
0000.62700	29	13	0364.99.020	36	15	0660.13.133	2	7	0755.29.025	6	10	148.1.001.1A	14	9
0000.62730	19	21	0370.49.250	10	26	0660.13.143	2	9	0755.29.025	8	32	148.1.002.1A	14	7
0000.64471	27	6	0370.72.020	24	8	0660.13.165	2	25	0759.49.280	9	15	148.1.004.1A	14	14
0000.66181	25	15	0370.72.020	25	18	0660.16.145	4	21	0765.92.205	2	21	148.1.035.1A	14	13
0000.66527	17	21	0400.09.050	2	21	0660.47.040	6	13	0797.69.040	14	2	149.1.024.1A	3	25
0000.69056	26	28	0400.17.030	34	3	0660.49.053	9	17	0797.69.040	8	20	150.2.005.1A	3	27
0000.78348	20	24	0400.17.030	4	36	0660.49.800	9	19	0797.72.068	17	12	150.2.006.1A	3	2

INDEX

CODE No.	Drwg.	POS. N.	CODE No.	Drwg.	POS. N.	CODE No.	Drwg.	POS. N.	CODE No.	Drwg.	POS. N.	CODE No.	Drwg.	POS. N.
150.2.035.1A	3	16	180.1.008.1A	2	24	245.1.002.2A	8	5	280.4.005.1A	16	17	304.1.026.1AC	13	4
158.2.009.1A	6	5	182.2.006.2B	2	18	245.1.003.1BA	8	2	282.4.020.1A	16	1	340.2.128.1A	22.1	1
160.1.043.2A	19	2	190.2.001.3A	4	8	245.1.004.1BA	8	1	283.4.003.1A	34.1	22	340.2.129.1A	22.1	2
160.1.044.2A	19	18	194.2.001.1A	4	12	245.1.005.1BA	8	3	284.4.001.1B	16	14	341.1.011.2A	22	23
160.1.057.1A	12	13	195.2.002.1B	4	22	246.1.004.1A	31	29	285.4.003.1A	18	7	342.2.027.1A	22	1
160.2.021.1B	28	5	196.1.001.1B	4	10	246.1.005.1A	31	6	286.4.017.1A	18	19	343.2.005.1A	22	4
160.9.037.1A	34.1	1	198.1.027.1A	4	13	246.1.058.1A	17	2	287.4.014.1A	17.1	16	349.1.096.1A	22.1	7
162.1.001.1B	4	7	208.1.001.4A	13	19	247.1.002.1BB	11	23	287.4.024.1B	16	11	349.2.010.1A	22.1	6
170.2.020.2A	4	17	208.1.002.4A	13	18	247.1.005.3BA	15	16	287.4.024.1B	34	14	360.2.030.1A	22	7
171.2.021.1A	8	13	209.1.001.4A	13	15	247.1.006.2AA	15	21	287.4.027.1B	16	16	360.2.031.1A	22	35
172.1.002.1B	3	10	209.1.002.4A	13	14	247.1.020.1AA	14	11	287.4.028.1A	16	10	364.1.003.1A	22	21
172.1.003.1A	3	8	210.1.022.2A	13	5	247.1.020.1AA	7	7	287.4.029.1A	16	15	365.2.016.1B	30	1
172.1.004.1A	3	5	211.1.005.3C	13	7	247.1.073.1A	23	11	287.4.040.2A	18	12	369.1.003.1A	30	37
172.1.005.1A	3	9	220.2.017.6A	37	14	247.1.074.1A	23	8	301.2.079.1A	13	1	370.1.014.1A	30	19
172.1.006.1B	3	18	220.3.208.3A	9	16	247.1.083.1AE	11	2	303.1.002.1A	13	3	372.2.004.1A	30	8
172.1.007.1B	3	24	225.2.040.2B	10	1	247.1.087.1A	19	15	303.1.002.1AB	13	3	386.4.006.1A	18	11
172.1.008.1A	3	22	235.2.002.1AA	15	9	247.1.104.1A	9	2	303.1.002.1AC	13	3	387.4.002.1A	18	10
172.1.009.1A	3	21	235.2.003.1AA	15	22	247.1.114.1A	11	31	303.1.002.1AD	13	3	389.4.006.1A	17	4
172.1.010.1A	3	20	235.2.004.1AA	15	26	250.2.030.2A	9	5	303.1.009.1A	13	2	389.4.007.1A	17	5
172.1.011.1A	3	23	236.1.010.3A	4	26	251.2.002.3B	11	29	303.1.009.1AB	13	2	389.4.008.1A	17	6
173.1.004.1A	12	20	240.1.001.1AA	15	14	254.1.001.1A	11	25	303.1.009.1AC	13	2	389.4.010.1A	17	7
174.1.025.1A	9	12	240.1.002.1AA	15	19	254.4.001.1A	5	4	303.1.009.1AD	13	2	389.4.014.1A	17	16
174.2.025.1A	9	1	240.1.015.1A	15	20	255.1.004.1A	14	3	304.1.012.2A	13	6	389.4.015.1A	18	21
176.1.001.1A	12	6	242.2.034.1A	11	13	255.1.004.1A	8	18	304.1.012.2AB	13	6	390.4.003.1A	35	31
176.1.002.1A	12	10	243.1.025.1AC	5	1	264.4.014.2B	11	1	304.1.012.2AC	13	6	395.4.013.1A	17	15
180.1.001.1A	2	11	243.2.004.1AC	5	6	270.4.001.1A	12	1	304.1.026.1A	13	4	397.4.001.1A	17.1	6
180.1.002.1A	2	12	245.1.001.2A	8	4	276.1.025.1B	12	16	304.1.026.1AB	13	4	400.2.014.1B	20	12

INDEX

CODE No.	Drwg.	POS. N.	CODE No.	Drwg.	POS. N.	CODE No.	Drwg.	POS. N.	CODE No.	Drwg.	POS. N.	CODE No.	Drwg.	POS. N.
401.4.010.1A	20	23	432.1.300.1A	39	4	451.1.002.1A	8	28	470412	35	26	510.1.070.1A	20	28
402.4.012.1A	20	26	433.1.164.1A	39	5	451.1.004.2A	8	23	471.2.034.1A	29	1	510.1.082.1A	21	13
404.4.007.1A	20	27	433.1.165.1A	39	2	451.1.007.1A	8	31	480.1.039.0A	36.1	11	510.1.111.2A	18	1
407.4.001.1A	20	21	433.1.166.1A	39	1	451.1.016.1A	8	25	480.1.039.1DA	36.1	6	510.1.148.1A	17	1
417.6.075.9A	5	20	433.1.167.1A	30	42	455.1.005.1A	35	11	480.1.040.1DA	36.1	1	513.1.008.2D	17	9
417.9.050.6A	17.1	22	433.1.170.1A	39	3	455.2.003.1A	2	4	480.1.041.0A	36.1	2	514.1.016.2B	17.1	4
420.2.000.7A	7	16	433.1.172.1A	39	6	456.1.006.1A	23	20	480.1.041.1A	36.1	2	514.1.017.2B	17.1	5
420.2.000.8A	2	5	433.1.179.1A	18	32	456.2.007.1A	23	19	480.1.042.1BA	36.1	14	516.4.001.1AB	21	21
420.2.001.0A	11	32	433.1.205.1A	17	3	457.2.008.1A	26	6	480.3.040.1A	36.1	5	520.4.004.3B	21	1
420.2.001.0A	19	32	435.1.090.1AA	34	24	460.1.040.1B	30	40	480.3.042.1B	36.1	14	521.4.007.1A	21	6
420.2.001.0A	24	17	435.1.099.1BA	36	17	460.1.067.1A	36.1	4	481.2.012.1DA	36	1	521.4.008.1A	21	7
420.2.001.0A	25	8	435.1.100.1BA	36	18	462.3.003.7A	2	31	481.3.012.1A	36	2	521.4.009.1A	21	11
420.2.001.0A	26	23	436.1.023.1B	35	40	462.3.003.8A	11	7	483.2.028.1AA	35	1	521.4.010.1A	21	5
420.2.001.0A	33	17	436.1.024.1B	35	41	462.3.003.8A	2	29	483.3.019.2A	35	21	523.1.003.1A	36	14
420.2.001.0A	34	19	436.1.035.1AA	36	19	462.3.003.8A	8	7	484.1.019.1B	36.1	15	523.1.004.1A	36	4
420.2.001.0A	34.1	2	436.1.036.1AA	35	42	462.4.037.6A	17.1	21	484.1.029.1B	34.1	27	525.1.004.2A	29	28
420.2.001.0A	37	12	437.1.101.1AA	36.1	21	462.4.037.6A	9	9	486.1.038.2B	29	10	525.4.005.3A	35	29
420.2.006.2A	10	25	437.1.102.1AA	36.1	13	462.4.037.8A	8	33	487.1.011.1A	36	7	529.1.006.1A	35	32
420.2.006.2A	9	4	438.1.105.1DA	35	3	462.4.037.8A	9	11	492.4.010.1A	27	5	529.1.008.1AB	29	7
420.2.006.4A	37	3	442.1.014.1B	31	31	463.2.053.7A	4	15	492.4.011.1B	28	20	529.1.008.1AB	36.1	23
425.4.004.1B	34.1	6	442.1.015.1B	31	4	463.4.026.9A	4	16	494.2.043.1A	28	10	538.4.005.1A	17.1	15
426.1.007.1A	38	13	442.2.009.1B	31	1	463.4.047.7A	5	18	497.2.001.2A	27	18	539.1.023.1A	23	40
426.2.002.1A	31	30	446.1.002.1B	30	41	463.7.022.6A	4	18	501.2.020.1AA	27	10	539.4.003.1B	26	21
426.2.003.1A	31	7	447.1.019.1A	30	25	464.1.005.1A	23	12	502.1.022.1AA	27	16	539.4.008.1D	5	16
427.1.003.1A	34.1	20	447.1.020.1A	30	26	464.1.006.1A	23	5	510.1.059.1B	16	2	539.4.020.1A	2	6
427.4.002.1A	34.1	17	449.1.027.1A	3	12	470.1.026.1AB	23	1	510.1.060.2D	21	18	539.4.021.1A	25	5
430.4.004.1A	34.1	14	451.1.001.2A	8	29	470412	16	9	510.1.061.1A	20	13	540.4.011.1C	17.1	12

INDEX

CODE No.	Drwg.	POS. N.	CODE No.	Drwg.	POS. N.	CODE No.	Drwg.	POS. N.	CODE No.	Drwg.	POS. N.	CODE No.	Drwg.	POS. N.
541.4.003.1A	17.1	19	585.1.017.1A	31	19	60N101079	10	29	611.4.005.2A	26	29	656.2.012.1A	22	6
541.4.003.1A	21	32	586.1.025.0AA	34	2	60N101079	11	6	612.4.008.1A	25	12	658.4.002.1A	22	31
546.1.107.1A	18	18	586.1.025.3CA	34	1	60N102482	35	13	612.4.008.1A	26	30	668.1.001.2A	11	16
548.4.008.1A	32	1	587.1.023.1A	34	17	60N102504	7	15	612.4.014.1A	25	4	668.1.026.1B	33	3
548.4.012.1A	37	16	588.4.009.1A	34.1	26	60N102505	37	8	612.4.017.1A	25	10	669.1.001.1E	13	10
549.1.007.1A	37	13	588.4.010.1A	34.1	9	60N102509	14	16	613.4.021.1B	25	25	670.4.012.1A	18	28
549.1.008.1A	37	1	588.4.011.1A	34	13	60N102509	2	28	613.4.021.1B	26	26	671.1.001.1A	18	29
550.4.007.1A	32	2	588.4.012.1A	34	15	60N102509	5	2	618.4.036.1A	25	23	671.1.002.1A	18	30
552.4.002.1A	18	26	590.1.053.1A	16	7	60N102510	11	19	619.4.001.2C	26	27	672.1.006.1A	4	27
552.4.008.1A	33	20	590.1.054.1A	16	4	60N102510	12	5	624.4.012.1A	25	1	676.2.024.1A	28	19
552.4.009.1A	11	38	590.1.055.1A	34.1	10	60N102510	15	30	625.4.006.1A	26	12	676.4.021.1A	28	14
552.4.011.1A	33	19	590.1.056.1A	34.1	5	60N102510	5	5	626.4.007.1A	25	2	677.4.003.1A	1.1	3
552.4.012.1A	20	2	590.1.057.1A	34	11	60N102510	8	8	626.4.008.1A	25	20	680.1.001.1B	9	7
552.4.028.1A	1.2	15	590.1.058.1A	34.1	19	60N102511	11	15	626.4.009.1A	25	3	680.1.003.1B	8	16
553.4.003.1A	33	24	590.1.059.1A	34.1	16	60N102511	8	9	626.4.010.1A	24	4	697.2.008.2C	29	18
556.1.013.2A	23	38	590.1.079.1A	16	12	60N102511	9	8	626.4.011.1A	24	3	699.2.063.1A	1.1	11
556.2.025.1A	23	35	590.1.095.1A	38	1	60N107335	14	17	630.4.010.1AB	24	1	699.2.064.1AB	27	19
561.1.019.1A	29	12	590.1.110.1A	38	15	60N107335	15	13	631.4.004.1A	25	9	699.2.072.1A	36	6
564.1.018.1B	36.1	17	590.1.111.1A	38	8	60N107335	33	22	631.4.008.1A	24	5	699.2.072.1A	36.1	3
570.1.022.2A	19	9	590.1.176.1A	38	9	60N107335	4	28	631.4.008.1A	26	24	699.2.150.1A	29	41
570.1.030.2A	19	29	592.1.007.3B	34.1	24	60N107335	7	17	631.4.009.1A	24	2	700.1.017.1A	28	9
571.1.022.2A	19	12	593.1.003.1B	10	32	60N115062	23	25	632.1.018.1A	24	18	700.1.018.1A	34	23
573.1.049.2A	19	17	593.1.018.1A	9	29	60N115062	26	7	650.4.006.2A	22	27	700.1.019.1A	34	9
574.1.049.2A	19	19	595.1.027.1A	35	12	60N115548	29	35	651.4.006.1B	22	8	700.1.020.1A	21	9
576.1.036.1A	19	24	598.2.023.1A	29	20	60N115548	35	7	652.4.004.2A	22	10	700.1.023.2A	18	14
585.1.011.1A	33	1	598.2.028.1A	29	37	610.4.011.2C	25	26	654.2.002.1A	22	5	701.4.003.1A	12	19
585.1.012.2A	33	12	598.4.011.3A	22	32	610.4.012.2C	25	7	656.1.013.2A	22	28	701.4.004.1A	30	9

INDEX

CODE No.	Drwg.	POS. N.	CODE No.	Drwg.	POS. N.	CODE No.	Drwg.	POS. N.	CODE No.	Drwg.	POS. N.	CODE No.	Drwg.	POS. N.
701.4.005.1A	3	4	710.1.062.1A	10	3	714.1.027.1A	27	15	734306N01	5	22	741.4.001.1A	33	10
701.4.007.1A	12	21	710.1.063.1A	10	31	714.1.028.1A	27	9	734406N01	33	36	741.4.002.1A	33	30
702.4.004.1A	22	3	711.1.006.1A	10	27	715.1.003.1A	30	13	73500.0624	26	4	741.4.002.1A	7	19
702.4.009.1A	11	11	711.1.067.1A	28	7	716.1.021.2A	34	8	73500.1237	12	7	741.4.013.1B	34	10
702.4.010.1A	11	9	711.1.089.1A	6	6	716.1.028.1A	21	22	73500.1237	9	25	741.4.013.1B	38	7
702.5.001.1A	8	24	712.1.018.1A	28	8	716.1.029.2A	19	26	73500.1440	12	11	741.4.025.1A	33	35
702.5.008.1A	10	12	712.1.019.1A	30	32	716.1.043.1A	38	17	73500.1542	2	35	741.4.033.1A	37	7
702.5.008.1A	11	4	713.1.007.1A	14	5	716.1.044.1A	30	43	73500.1747	8	27	741.4.040.1A	16	5
702.5.016.1A	4	14	713.1.008.2A	8	17	716.1.049.1A	22	18	73503.3075	5	11	741.4.041.1A	16	6
703.1.013.1A	22	17	713.1.011.1A	3	15	72094.1616	10	5	73503.3380	10	13	741.4.043.1A	24	14
70555.1631	8	12	713.1.012.1B	4	31	72121.2106	6	4	73503.3380	10	19	741.4.043.1A	25	16
70610.8120	4	11	713.1.014.1A	3	11	72237.0657	29	25	73503.3380	11	43	741.4.043.1A	26	16
70620.5212	11	40	713.1.014.1A	3	15	72237.0974	34.1	12	73503.3380	15	10	741.4.043.1A	38	3
70620.8090	10	2	713.1.014.1B	3	11	72276.0686	20	3	73503.3380	8	26	741.4.057.1A	38	2
70700.6N02	24	10	713.1.014.1E	3	11	72430.6001	12	3	73503.3449	34.1	23	741.4.058.1A	38	14
70700.6N02	25	19	713.1.014.1E	3	15	72944.1542	14	1	73503.3683	15	25	741.4.059.1A	38	4
70700.6N02	26	20	713.1.014.1F	3	11	72944.1542	8	21	736.4.012.1A	36	12	741.4.063.1A	38	10
707006N02	33	27	713.1.078.1A	30	23	729905FN1	25	27	736.4.013.1B	31	9	741.4.064.1A	33	11
70780.6516	14	10	713.1.082.1A	19	20	729905FN1	29	34	736.4.013.1B	36.1	18	741.4.064.1A	34.1	4
70780.6516	7	6	713.1.089.1A	36	5	729908FN1	8	30	737.4.011.1B	8	22	741.4.067.1A	15	7
710.1.001.1A	9	13	713.1.099.1A	23	39	729910FF1	23	2	741.1.010.1A	18	20	741.5.027.1B	31	26
710.1.002.1A	4	33	713.1.099.1A	35	37	729910FF1	30	15	741.1.011.1A	29	15	741.5.027.1B	33	25
710.1.023.1A	30	33	713.1.109.1A	35	2	732.1.005.1A	29	27	741.1.011.1A	33	6	74172.1008	14	8
710.1.024.1A	30	34	713.1.118.1A	11	10	732.2.002.2A	29	6	741.1.012.1A	18	22	74172.1008	6	16
710.1.025.1A	30	7	713.1.128.1A	11	27	734005N01	11	39	741.1.012.1A	21	25	74224.0570	4	34
710.1.026.1A	30	18	713.1.132.1A	22	34	734006N01	12	2	741.1.013.1A	17	18	74224.0570	6	7
710.1.027.1A	19	5	713.1.140.1A	10	28	734306N01	15	28	741.1.013.1A	18	23	747.1.005.1A	29	22

INDEX

CODE No.	Drwg.	POS. N.	CODE No.	Drwg.	POS. N.	CODE No.	Drwg.	POS. N.	CODE No.	Drwg.	POS. N.	CODE No.	Drwg.	POS. N.
747.5.001.1A	23	23	759.1.010.1A	29	36	766.1.001.2B	10	22	771.5.667.2B	21	2	772.5.023.1A	19	31
748.1.014.1A	27	1	760.4.003.1A	29	26	766.4.012.1A	14	6	771.5.667.2B	22	26	772.5.023.1A	22	29
748.4.002.7A	19	3	76267.0012	9	24	766.4.012.1A	15	3	771.5.667.2B	23	14	772.5.024.1A	17.1	23
748.4.024.1A	28	4	76270.0827	3	29	76835.1134	2	10	771.5.667.2B	29	29	772.5.024.1A	18	2
749.4.030.1A	35	15	763106N01	20	29	771.1.003.1A	30	17	771.5.669.2B	22	25	772.5.024.1A	22	11
749.5.001.1A	29	39	763106N01	23	21	771.1.004.1A	34	7	771.5.669.2B	24	6	772.5.024.1A	26	11
750.1.002.1B	4	35	763106N01	38	19	771.4.006.1A	11	36	771.5.669.2B	25	24	772.5.024.1A	29	17
750.1.012.2A	6	14	764.1.002.1A	13	8	771.5.025.2B	18	8	771.5.672.2B	21	8	772.5.024.1A	36.1	19
750.1.018.1A	28	2	764.1.003.1B	4	6	771.5.040.2B	11	5	771.5.721.2B	27	4	772.5.024.1A	36.1	22
750.1.019.1A	27	13	764.1.011.1A	23	18	771.5.040.2B	34	20	771.5.723.2B	22	14	772.5.025.1A	17.1	17
750.1.021.1A	30	6	764.1.011.1A	26	10	771.5.043.2B	4	4	771.5.723.2B	23	6	772.5.025.1A	21	20
750.1.022.1A	30	4	764.1.014.1A	35	18	771.5.045.7E	34	5	771.5.725.2B	22	12	772.5.025.1A	23	7
750.1.024.1A	29	21	764.1.016.1A	18	27	771.5.064.2B	11	3	771.5.754.2B	23	36	772.5.025.1A	30	39
750.1.048.1A	23	31	764.1.017.1A	36.1	20	771.5.066.2B	11	20	771.5.754.2B	25	6	772.5.025.1A	31	23
750.5.001.1A	2	23	764.1.022.1A	37	15	771.5.072.2B	10	20	771.5.754.2B	26	2	772.5.025.1A	32	3
75113.2566	4	20	764.1.024.1A	19	7	771.5.072.2B	5	23	771.5.937.2B	30	11	772.5.025.1A	33	5
75120.1747	15	24	764.1.024.1A	32	4	771.5.073.2B	11	37	771.5.938.2B	30	12	772.5.025.1A	36.1	16
75130.2566	10	7	764.1.024.1A	35	36	771.5.078.2B	12	12	772.1.002.1A	30	14	774.5.002.1B	31	5
75143.3380	10	11	764.1.024.1A	37	9	771.5.078.2B	5	3	772.1.003.1A	30	35	774.5.004.1A	35	35
75162.2566	27	8	764.1.029.1A	38	16	771.5.080.2B	10	16	772.1.004.2A	30	31	77499.3421	11	17
75162.2566	30	22	764.4.005.1A	18	9	771.5.122.2B	2	30	772.1.005.1A	28	21	775.1.006.1A	17	8
75191.3380	10	4	76400.0001	30	20	771.5.129.2B	9	10	772.1.007.1A	34	12	776.5.032.2A	15	5
75791.1747	10	9	76401.0002	23	26	771.5.136.2B	10	15	772.1.008.1A	31	15	777.5.038.2B	29	5
75794.1542	10	30	76401.0003	23	22	771.5.266.2B	28	22	772.1.016.1A	29	24	777.5.049.2C	11	24
75794.1542	15	11	76401.0009	30	3	771.5.639.2B	20	8	772.1.017.1A	31	16	777.5.234.2B	35	19
759.1.008.1A	28	1	76401.0010	30	5	771.5.639.2B	21	14	772.1.023.1A	23	29	778.5.009.1A	22	36
759.1.009.1A	27	12	76402.0002	3	17	771.5.664.2B	22	19	772.5.021.1A	20	30	779.1.007.2A	6	9

INDEX

CODE No.	Drwg.	POS. N.	CODE No.	Drwg.	POS. N.	CODE No.	Drwg.	POS. N.	CODE No.	Drwg.	POS. N.	CODE No.	Drwg.	POS. N.
779.1.009.1A	19	22	780.1.006.1A	9	31	791.2.013.1A	7	5	8000.36230	29	38	8000.56746	20	18
779.1.026.1A	10	17	780.1.007.1A	19	27	799.1.012.1A	4	25	8000.36726	21	4	8000.56747	20	17
779.1.026.1A	9	23	780.1.008.1A	34.1	3	799.1.014.1A	13	16	8000.36726	29	32	8000.56748	20	16
779.1.039.1A	2	3	780.1.016.1A	6	3	799.1.015.1A	13	13	8000.37901	18	16	8000.56752	20	11
779.1.058.1A	24	16	780.5.001.1A	11	33	799.1.025.1A	2	20	8000.42278	20	10	8000.62648	27	7
779.1.058.1A	25	11	786.1.041.1D	7	9	799.1.045.1A	23	3	8000.42345	25	21	8000.62652	32	5
779.1.058.1A	37	17	786.1.048.1A	7	11	799.1.048.1A	19	4	8000.44240	15	2	8000.62652	37	10
779.1.058.2A	26	22	787.1.005.1A	37	4	799.1.049.1A	2	1	8000.44240	19	28	8000.62653	30	27
779.1.059.1A	32	8	787.1.009.1A	9	18	799.1.051.2A	6	15	8000.44240	29	16	8000.62676	23	34
779.1.082.1A	24	19	788.1.002.2A	15	6	799.1.052.2A	16	8	8000.44240	8	6	8000.62726	17.1	8
779.1.083.1A	37	18	788.1.003.1B	11	41	799.1.055.1A	9	30	8000.50442	33	31	8000.62726	17.1	20
779.1.084.1A	7	21	788.1.007.3A	15	15	799.1.057.1A	35	16	8000.50450	31	18	8000.62726	21	23
779.1.085.1A	19	8	788.1.010.4A	15	17	799.1.064.1A	21	16	8000.50454	31	24	8000.62726	29	14
779.1.086.1B	37	5	788.1.012.1A	11	41	799.1.083.1B	26	33	8000.53249	33	18	8000.62726	30	28
779.1.088.1A	17	14	788.1.013.1A	11	41	799.2.001.1A	23	33	8000.53724	17	19	8000.62726	34	16
779.1.092.1A	24	7	788.1.044.1A	31	32	799.2.077.1A	9	14	8000.53724	18	24	8000.62726	36	10
779.1.092.1A	25	17	788.1.045.1A	31	10	800.1.007.1A	7	20	8000.53724	21	26	8000.62726	38	20
779.1.109.1A	6	2	788.1.048.1A	19	23	800.1.008.1A	7	18	8000.56359	18	3	8000.62729	17.1	11
779.1.121.1A	33	13	788.1.052.1A	5	7	800.1.035.1A	33	28	8000.56359	19	10	8000.62729	19	11
779.1.132.1A	22	16	788.1.053.1A	15	18	800.1.036.1A	33	23	8000.56443	17	10	8000.62729	32	6
779.1.137.1A	36	3	788.1.054.1A	12	4	800.1.037.1A	33	32	8000.56443	19	25	8000.62729	37	11
779.1.162.1A	9	27	788.1.056.1A	11	30	800.1.038.1A	33	26	8000.56443	24	13	8000.63150	31	20
779.1.174.1A	10	14	789.1.001.1A	34.1	25	800.1.039.1A	33	33	8000.56443	29	4	8000.66308	17.1	2
779.4.005.1A	23	16	790.1.001.2A	19	1	800.1.040.1A	33	29	8000.56443	35	8	8000.66308	29	2
779.5.001.1A	9	6	791.1.012.1A	34	4	8000.18048	34	21	8000.56465	20	19	8000.66336	36	11
779.5.005.1A	9	3	791.1.017.2A	31	11	8000.20602	20	15	8000.56741	20	22	8000.66526	17	20
779.5.009.1A	35	38	791.1.041.1A	31	14	8000.36230	21	12	8000.56742	20	20	8000.66774	22	30

INDEX

CODE No.	Drwg.	POS. N.	CODE No.	Drwg.	POS. N.	CODE No.	Drwg.	POS. N.	CODE No.	Drwg.	POS. N.	CODE No.	Drwg.	POS. N.
8000.67981	26	8	814.1.036.1A	14	15	827.1.077.1A	17	13	829.1.129.1A	34	22	840.1.007.1A	13	11
8000.68490	25	14	814.1.037.1A	33	15	827.1.085.1A	35	14	829.1.130.1A	35	33	840.1.008.1A	13	11
8000.68490	26	19	814.1.038.1A	14	18	827.1.086.1A	35	20	829.1.136.1A	29	8	840.1.009.1A	13	11
8000.70119	27	2	814.1.091.2A	38	6	827.1.089.1A	21	15	829.1.140.1A	20	1	840.1.010.1A	13	11
8000.70127	22.1	3	815.1.005.1A	37	2	827.1.090.1A	21	17	829.1.187.1A	15	29	840.1.011.1A	13	11
8000.70133	22.1	4	818.2.009.1A	4	3	827.1.095.1A	21	19	829.1.190.1A	21	31	840.1.012.1A	13	11
8000.70139	1.1	8	819.1.017.1A	27	11	827.1.099.2A	31	21	829.1.228.1A	24	9	840.1.013.1A	13	11
8000.72911	35	30	819.2.039.2A	28	13	827.1.108.1A	35	24	829.1.238.1A	25	22	840.1.014.1A	13	11
8000.74049	27	3	821.1.001.1A	2	26	827.1.111.1A	35	25	829.1.260.1A	23	32	840.1.015.1A	13	11
8000.74504	21	28	821.1.002.1A	13	20	827.1.156.1A	17.1	10	829.1.270.1A	17.1	13	840.1.016.1A	13	11
8000.74504	29	30	821.1.003.1A	13	17	827.1.157.1A	38	18	829.2.004.1A	35	4	840.1.017.1A	13	11
8000.74505	21	27	821.1.004.1A	13	12	827.1.181.1A	21	30	829.2.122.1AB	36	13	840.1.018.1A	13	11
8000.74505	29	31	821.1.051.1A	23	4	827.1.185.1A	38	11	829.2.123.1AB	36	9	840.1.019.1A	13	11
8000.74507	21	29	821.1.052.1A	26	9	827.1.195.1A	17.1	18	830.1.077.1A	32	7	840.1.020.1A	13	11
8000.74507	29	33	821.1.054.1A	17	11	827.1.215.1A	17	23	830.1.090.1A	16	3	840.1.021.1A	13	11
8000.77921	34	18	821.1.057.1A	35	10	829.1.073.3A	5	21	830.1.121.1A	16	13	840.1.022.1A	13	11
8000.77936	20	25	821.1.070.1A	2	17	829.1.077.2B	34.1	15	830.1.127.1A	30	38	840.1.023.1A	13	11
802.1.009.1A	31	13	821.1.096.1A	26	13	829.1.078.1A	26	1	830.1.144.1A	11	35	840.1.024.1A	13	11
808.2.016.2A	22	20	821.1.103.1A	23	37	829.1.094.1D	17.1	14	832.1.003.1A	30	24	840.1.025.1A	13	11
80A0.06385	18	15	824.1.015.1A	23	28	829.1.095.3A	17.1	1	832.1.008.1A	35	27	840.1.026.1A	13	11
80A0.53548	23	13	824.1.016.1A	23	9	829.1.096.1A	18	5	832.1.012.1A	18	25	840.1.027.1A	13	11
80A0.55757	26	14	825.1.009.1A	28	17	829.1.104.1A	34.1	7	840.1.001.1A	13	11	840.1.028.1A	13	11
80A0.62649	19	6	826.1.003.1A	10	6	829.1.106.1A	33	14	840.1.002.1A	13	11	840.1.029.1A	13	11
80C0.05893	29	23	826.1.009.1A	2	33	829.1.112.1AC	20	6	840.1.003.1A	13	11	840.1.030.1A	13	11
812.1.024.1A	31	27	826.1.011.1A	3	13	829.1.117.1A	20	9	840.1.004.1A	13	11	840.1.031.1A	13	11
812.1.025.1A	31	8	827.1.067.1A	23	30	829.1.118.1A	20	7	840.1.005.1A	13	11	840.1.032.1A	13	11
814.1.002.1AA	7	14	827.1.071.1A	17.1	9	829.1.127.1A	18	13	840.1.006.1A	13	11	840.1.033.1A	13	11

INDEX

CODE No.	Drwg.	POS. N.	CODE No.	Drwg.	POS. N.	CODE No.	Drwg.	POS. N.	CODE No.	Drwg.	POS. N.	CODE No.	Drwg.	POS. N.
840.1.034.1A	13	11	850.4.023.1A	36.1	10	852.1.104.1H	6	11	866.1.018.1A	35	28	881.2.001.1A	4	19
840.1.051.1B	13	9	850.4.031.1A	34.1	28	852.1.104.1I	6	11	866.1.019.1A	35	9	882.1.003.1A	8	11
840.1.052.1B	13	9	851.1.001.1B	4	9	852.1.104.1J	6	11	866.1.020.1A	35	6	882.1.006.1A	2	16
840.1.053.1B	13	9	851.4.001.1A	4	5	852.1.104.1K	6	11	866.1.021.1A	33	34	884.5.001.1A	22	15
840.1.054.1B	13	9	852.1.005.1A	2	14	852.1.104.1L	6	11	866.1.023.1A	35	22	884.5.003.1A	23	10
840.1.055.1B	13	9	852.1.008.1A	5	10	852.1.104.1M	6	11	866.1.024.1A	35	23	884.5.004.1A	28	18
840.1.056.1B	13	9	852.1.053.1A	2	2	852.1.104.1N	6	11	872.1.011.1A	22	33	884.5.005.1A	28	11
840.1.057.1B	13	9	852.1.053.1A	23	15	852.1.105.1AB	3	26	872.1.015.1A	22	24	884.5.010.1A	16	18
840.1.058.1B	13	9	852.1.054.1A	26	3	852.1.105.1AD	3	26	872.1.016.1A	30	29	884.5.011.1A	11	8
840.1.059.1B	13	9	852.1.055.1A	28	3	852.1.105.1AG	3	26	872.1.017.1A	30	30	886.4.001.1A	15	8
840.1.060.1B	13	9	852.1.056.1A	28	12	852.1.108.1AH	3	1	872.1.026.1A	17	22	886.4.021.1A	34.1	11
840.1.061.1B	13	9	852.1.057.1A	27	14	852.1.108.1AL	3	1	872.4.018.1A	18	17	886.4.022.1A	34.1	18
840.1.062.1B	13	9	852.1.058.2A	28	6	852.1.108.1AN	3	1	873.1.001.1A	14	20	886.5.001.1A	34.1	21
840.1.063.1B	13	9	852.1.059.1A	28	15	852.1.111.1A	2	5	873.1.004.1A	14	19	886.5.003.1A	28	16
840.1.064.1B	13	9	852.1.068.1A	30	36	852.1.114.1A	11	34	875.1.022.1A	30	2	886.5.004.1A	31	12
840.1.065.1B	13	9	852.1.071.1A	22	13	852.5.001.1A	29	40	875.1.044.2A	37	6	88700.5644	1	1
840.1.066.1B	13	9	852.1.072.1A	19	14	852.5.001.1A	35	34	876.1.052.1A	33	9	88700.5665	1	30
840.1.067.1B	13	9	852.1.075.1A	31	28	856.1.001.1A	3	6	876.1.053.1A	31	25	88700.5749	1	24
840.1.068.1B	13	9	852.1.075.1A	36.1	12	856.1.002.1A	14	4	876.1.058.1A	33	7	88713.0123	1	6
840.1.069.1B	13	9	852.1.095.1A	29	9	856.1.002.1A	8	19	876.1.059.1A	33	8	88713.0137	1	12
840.1.070.1B	13	9	852.1.104.1A	6	11	856.1.023.1A	19	30	876.2.054.1A	31	17	88713.0144	1	28
840.1.071.1B	13	9	852.1.104.1B	6	11	856.1.025.1A	10	23	877.1.037.1A	24	15	88713.0146	1	25
841.1.002.2A	4	2	852.1.104.1C	6	11	856.1.031.1A	3	30	877.1.039.1A	25	13	88713.0844	1	16
848.4.005.1A	22	22	852.1.104.1D	6	11	856.1.042.1A	36.1	8	877.1.039.1A	26	17	88713.0847	1	21
850.1.003.1A	36.1	9	852.1.104.1E	6	11	856.1.043.1A	35	17	877.1.040.1A	18	31	88713.0862	1	11
850.2.002.1A	31	3	852.1.104.1F	6	11	863.1.001.1A	28	23	881.1.010.1C	12	18	88713.0869	1	32
850.4.019.1A	36.1	7	852.1.104.1G	6	11	863.1.002.1A	12	14	881.1.012.1A	2	32	88713.0870	1	33

INDEX

CODE No.	Drwg.	POS. N.	CODE No.	Drwg.	POS. N.	CODE No.	Drwg.	POS. N.	CODE No.	Drwg.	POS. N.	CODE No.	Drwg.	POS. N.
88713.0874	1	7	88713.1309	1	10	88765.1126L	1.2	19	919.1.001.2B	27	20	93827.0114	9	22
88713.0875	1	9	88713.1332	1	29	88765.1126M	1.2	18	930.1.004.1A	22	2	94247.0014	10	10
88713.0879	1	8	88713.1344	1.1	13	88765.1126N	1.2	7	930.4.009.1A	4	24	94247.0014	11	12
88713.0891	1	4	88713.1419	1	22	88765.1126P	1.2	10	930.4.011.1A	30	10	94247.0014	5	19
88713.0957	1.1	20	88713.1502	1	31	88765.1126Q	1.2	5	930.5.005.1A	11	26	98112.0002	1	5
88713.1010	1	18	88765.0968	1	27	88765.1126R	1.2	3	930.5.006.2A	11	28			
88713.1037	1.1	6	88765.0978	1	20	88765.1126S	1.2	22	93783.0812	3	28			
88713.1038	1.1	18	88765.1001	1	14	88765.1126T	1.2	23	93783.1524	11	18			
88713.1057	1.1	15	88765.1068	1	15	88765.1126U	1.2	20	93783.1730	15	12			
88713.1058	1.1	7	88765.1069	1	15	88765.1126V	1.2	8	93783.2235	15	23			
88713.1059	1.1	5	88765.1070	1	15	88765.1126Z	1.2	1	93783.2552	10	8			
88713.1062	1.1	9	88765.1071	1	15	893.1.004.1A	33	2	93784.2030	5	9			
88713.1067	1.1	12	88765.1072	1	15	893.1.005.1A	5	15	93785.0822	4	23			
88713.1068	1.1	17	88765.1073	1.2	21	893.4.005.1A	24	11	93785.1830	10	18			
88713.1071	1.1	10	88765.1074	1.2	21	895.4.001.2A	34	6	93823.0119	33	4			
88713.1072	1.1	1	88765.1075	1.2	21	8A00.67997	3	14	93823.0128	4	32			
88713.1073	1.1	2	88765.1076	1.2	21	8A00.67997	31	22	93823.2018	4	30			
88713.1074	1.1	4	88765.1077	1.2	21	8A00.69056	22.1	5	93823.2037	22	9			
88713.1077	1.1	16	88765.1126	1.2	6	8A00.70130	20	5	93823.2037	7	13			
88713.1078	1	13	88765.1126A	1.2	4	8B00.67545	20	4	93823.2056	11	42			
88713.1079	1	17	88765.1126B	1.2	12	8H00.67545	35	5	93823.2082	5	14			
88713.1091	1	23	88765.1126C	1.2	11	913.7.057.1C	29	19	93823.2087	14	12			
88713.1093	1	26	88765.1126D	1.2	14	914.7.023.1A	1.2	2	93823.2087	33	16			
88713.1096	1.1	19	88765.1126E	1.2	9	914.7.023.1B	1.2	2	93823.2087	7	8			
88713.1097	1.1	21	88765.1126F	1.2	13	914.7.023.1C	1.2	2	93823.2131	11	22			
88713.1139	1	3	88765.1126G	1.2	17	914.7.023.1D	1.2	2	93823.3156	10	33			
88713.1140	1.1	14	88765.1126H	1.2	16	914.7.023.1E	1.2	2	93827.0114	5	12			

Spare parts catalogue 996S

DUCATI996



<i>DUCATIMOTOR</i>	●	996S	<i>M.Y. '01</i>	U.S.A.
<i>Spare Sparts Department</i>		<i>P.N. 91510961C</i>	<i>Maggio - May '00</i>	<i>Edizione - Edition 00</i>
<i>DUCATIMOTOR</i>	●	996S	<i>M.Y. '01</i>	U.S.A.
<i>Spare Sparts Department</i>		<i>P.N. 91510961C</i>	<i>Maggio - May '00</i>	<i>Edizione - Edition 00</i>
<i>DUCATIMOTOR</i>	●	996S	<i>M.Y. '01</i>	U.S.A.
<i>Spare Sparts Department</i>		<i>P.N. 91510961C</i>	<i>Maggio - May '00</i>	<i>Edizione - Edition 00</i>
<i>DUCATIMOTOR</i>	●	996S	<i>M.Y. '01</i>	U.S.A.
<i>Spare Sparts Department</i>		<i>P.N. 91510961C</i>	<i>Maggio - May '00</i>	<i>Edizione - Edition 00</i>